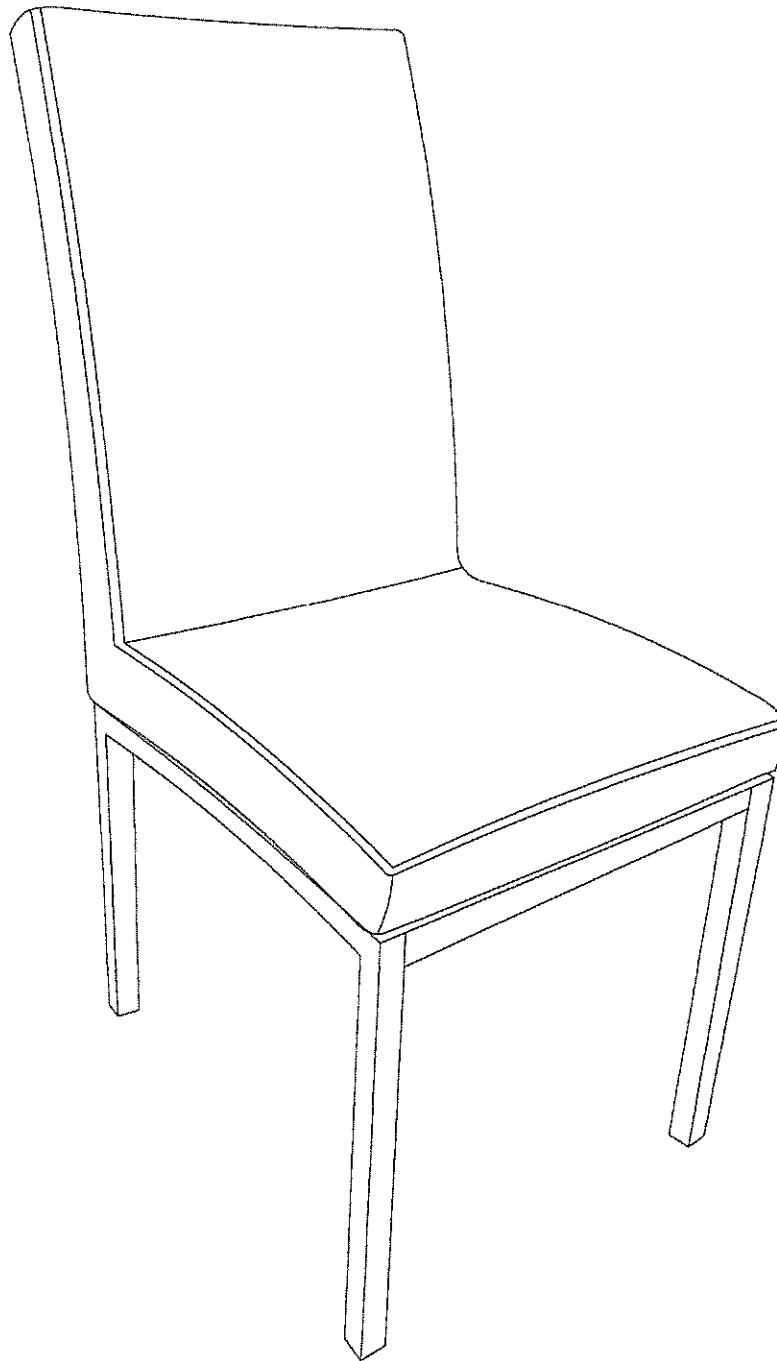
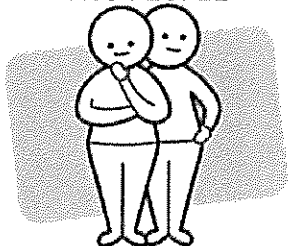




Version 1.0



TWO PEOPLE



REQUIRED

EVE

Dining Chair

www.fantasticfurniture.com.au

Caution

Do not stand on, or use this chair as a step ladder.
Use this product for seating one person at a time.
This product should be checked periodically to ensure all
components are secure and all hardware is tight.

RECOMMENDED WEIGHT CAPACITY 120 KG

Enjoy

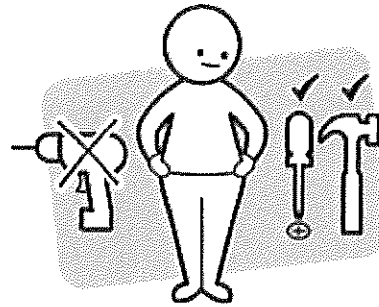
Your purchase from
Australia's Best Value Furniture Store



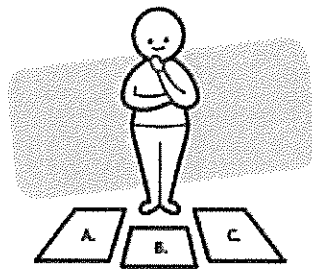
Assembly checklist



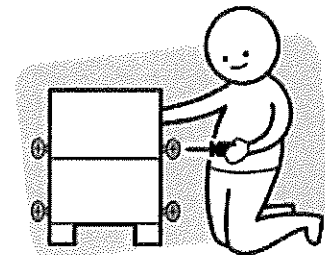
Read through the instructions carefully before you begin



Make sure you have all the required tools. Never use power tools unless instructed.



Identify and lay out all of the components before you begin assembly.



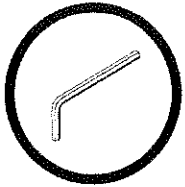
Unless instructed, do not fully tighten screws until the item is fully assembled.

Useful Information

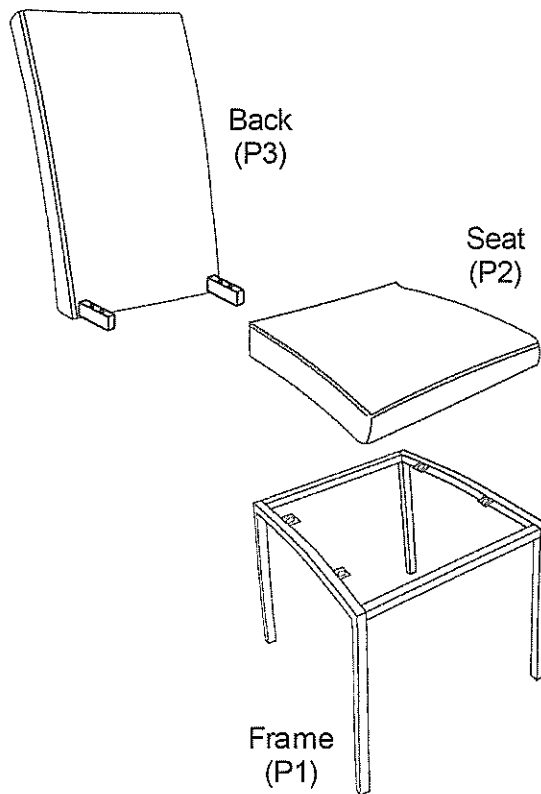
- ! Never use power tools unless specifically instructed. They can damage your components or hardware if used incorrectly.
- ! The most common mistakes made during assembly are using the wrong hardware or getting components back to front.
- ! Always use a soft surface (such as carpet or cardboard) when assembling your product to avoid scratching or damaging the surface of the product
- ! Bulky items such as wardrobes and bunk beds should be assembled in the room they will be used in as they may not fit through a door once assembled.
- ! Never use any glue until you are certain that the parts belong together.
- ! Periodically check and re-tighten all fasteners. Check the product care label or website for product care instructions.
- ! If you are having any difficulties assembling your product, missing any hardware or components please visit our website Help Centre for further assistance.

What you need

To assemble the product



1 x Allen Key



4x Spring Washers
(H1)



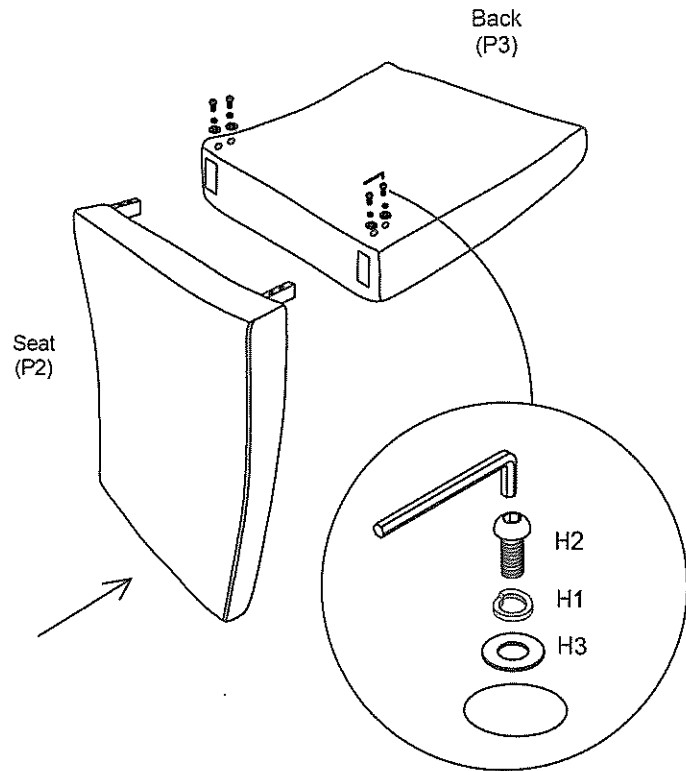
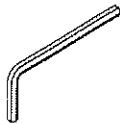
8x Screws
(H2)



8x Washers
(H3)

Step 1

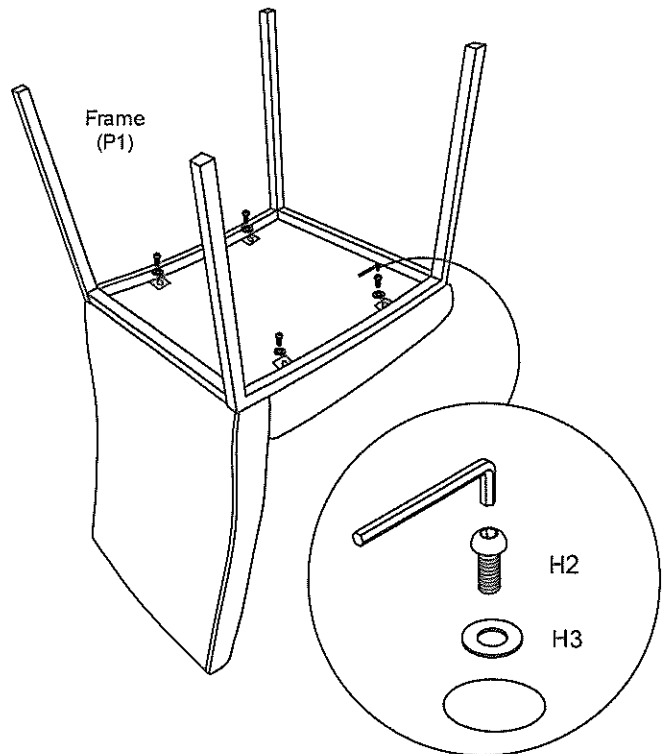
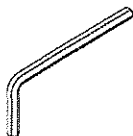
You will need :	
Back (P3)	
Seat (P2)	
4xSpring Washers (H1)	
4 x Screws (H2)	
4 x Washers (H3)	



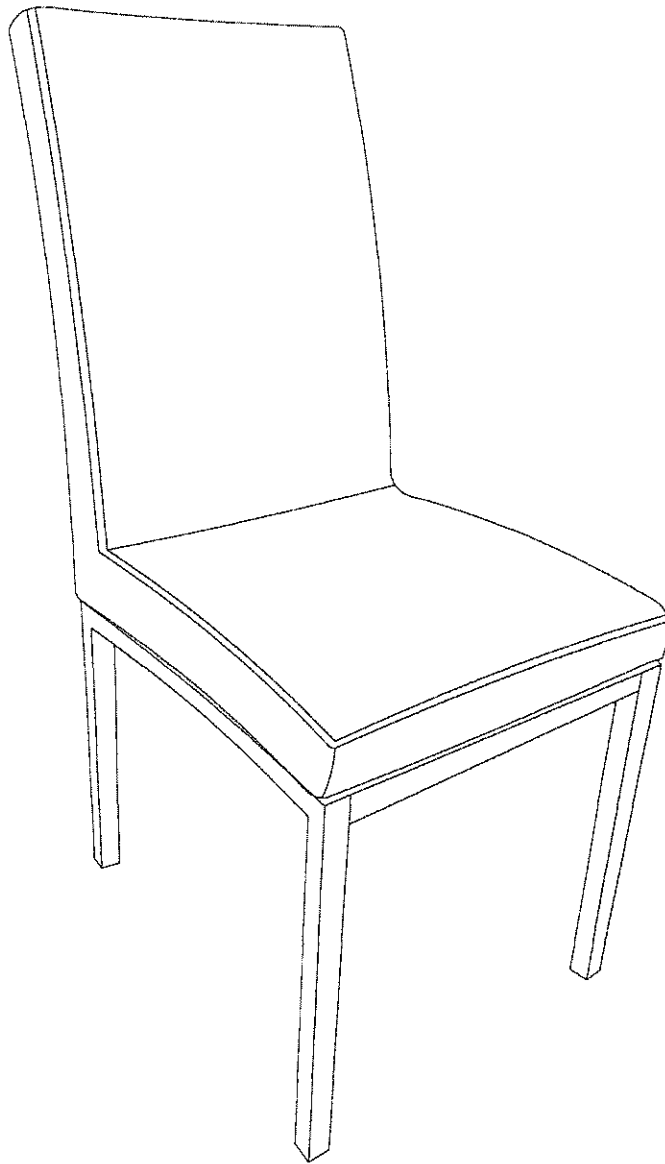
Attach Left leg (P1) to Short Back Rail (P2) + Long Front Rail (P3) using 4 x Screws(H1) with Allen key provided.

Step 2

You will need:	
4 x Screws (H2)	
4 x Washers (H3)	
Frame (P1)	



Attach Frame(P1) using 4 x Screws (H2) with Allen Key provided.



Job Complete!

In the interest of our environment please dispose of all packaging thoughtfully.