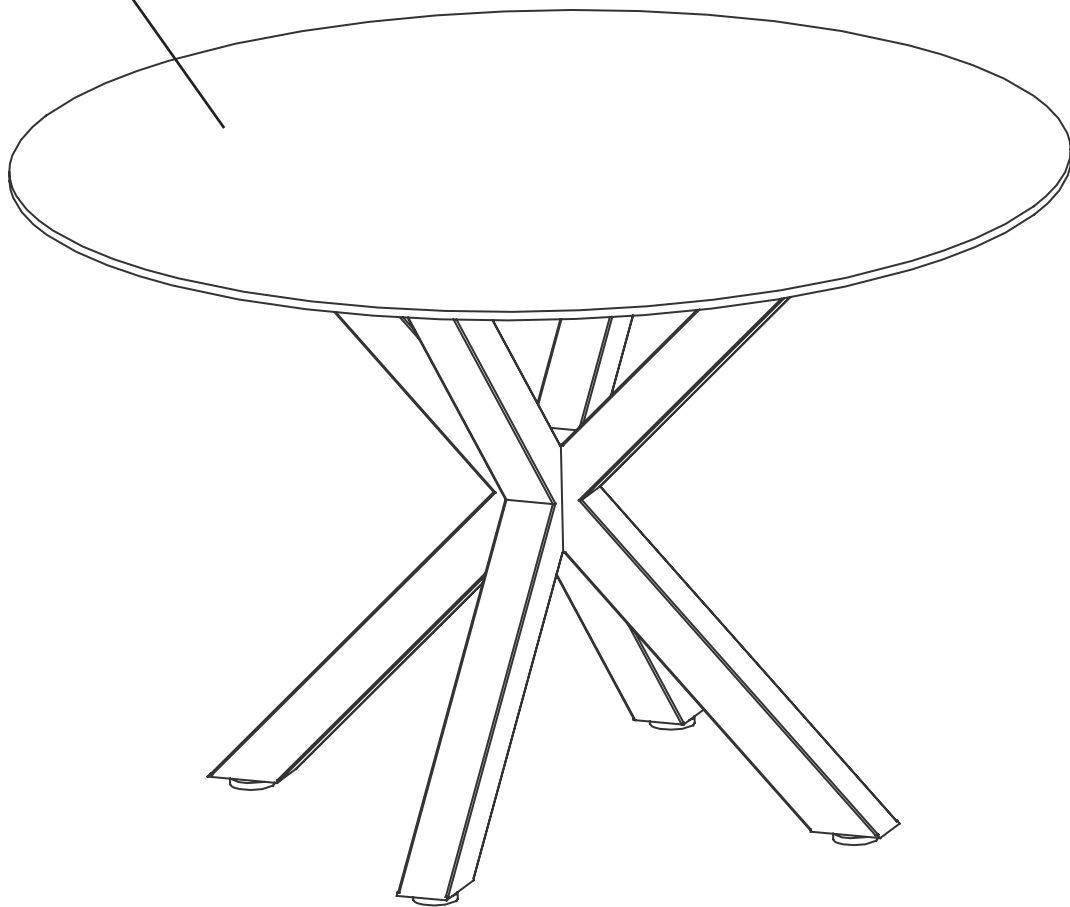




Version 1.0



TWO PEOPLE



REQUIRED

# WAVERLEY

Table round glass

[www.fantasticfurniture.com.au](http://www.fantasticfurniture.com.au)



### **GLASS SHOULD ALWAYS BE HANDLED WITH CARE**

Scratches, chips, sudden changes in temperature and hairline fractures may cause the glass to break. This glass is designed to break into small, relatively harmless pieces and not sharp fragments.

Avoid placing hot or cold items directly onto the table unless using a thick insulation material such as placemats or coasters.

Avoid dropping objects onto the glass. Do not allow hard or pointed objects to come into contact with the glass. Never use the top area as a chopping surface. Do not sit or stand on the glass surface.

Maximum weight capacity 80 kg

**Enjoy**  
Your purchase from  
Australia's Best Value Furniture Store



# Assembly checklist



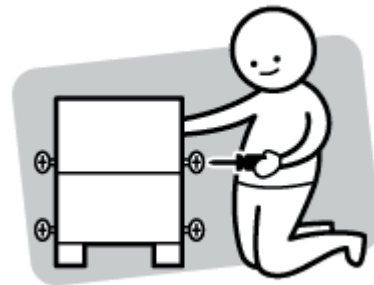
Read through the instructions carefully before you begin.



Make sure you have all the required tools. Never use power tools unless instructed.



Identify and lay out all of the components before you begin assembly.



Unless instructed, do not fully tighten screws until the item is fully assembled.

## Useful Information

- ! Never use power tools unless specifically instructed. They can damage your components or hardware if used incorrectly
- ! The most common mistakes made during assembly are using the wrong hardware or getting components back to front.
- ! Always use a soft surface (such as carpet or cardboard) when assembling your product to avoid scratching or damaging the surface of the product.
- ! Bulky items such as wardrobes and bunk beds should be assembled in the room they will be used in as they may not fit through a door once assembled.
- ! Never use any glue until you are certain that the parts belong together.
- ! Periodically check and re-tighten all fasteners. Check the product care label or website for product care instructions.
- ! If you are having any difficulties assembling your product, missing any hardware or components please visit our website Help Centre for further assistance.

# What you need

to assemble the product

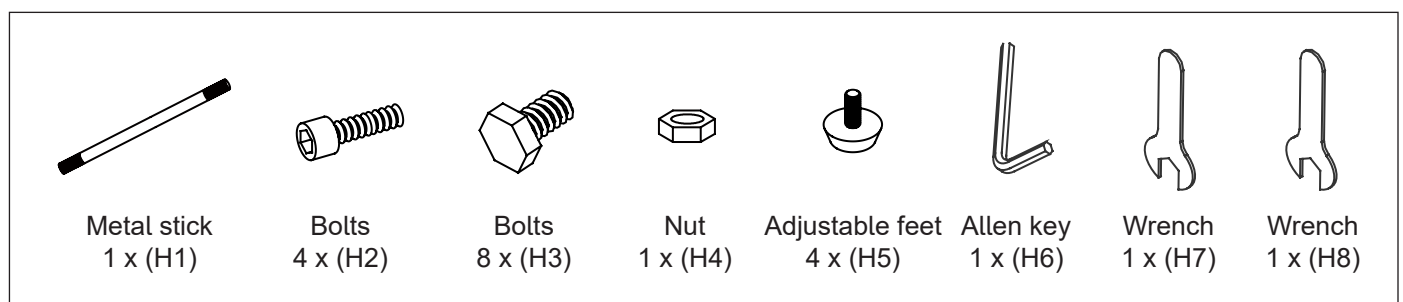
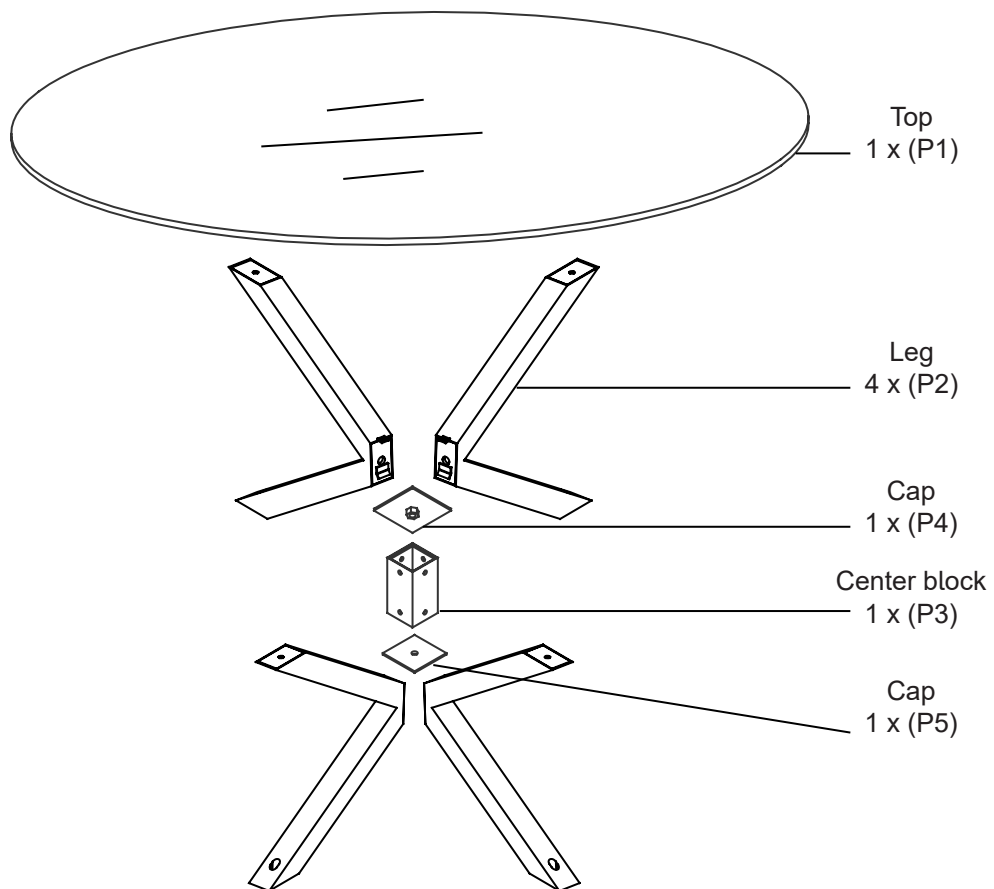


DO NOT USE


Parts list

Box 1: Leg (P2); Center block (P3); Cap (P4); Cap (P5); Fittings.

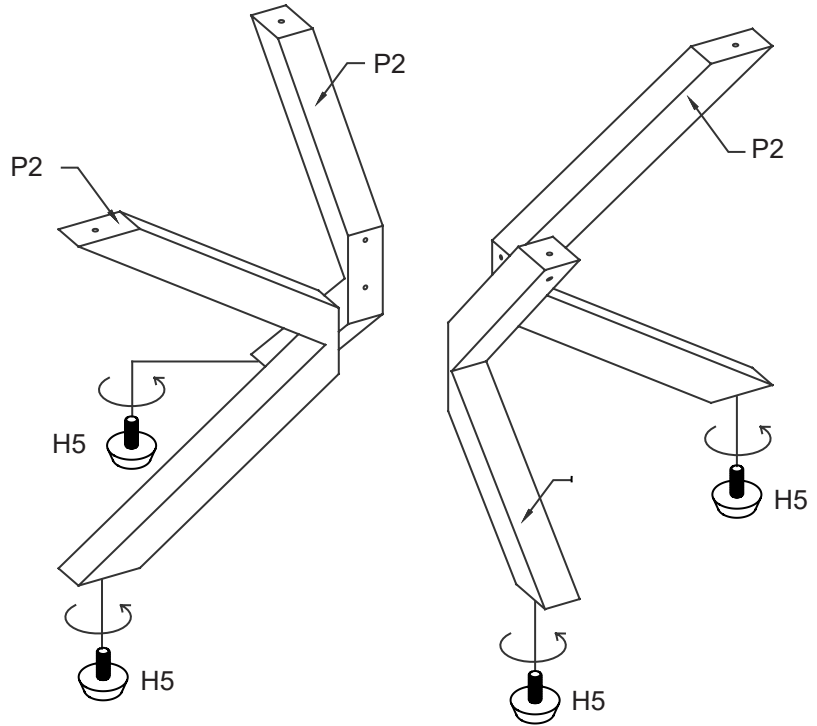
Box 2: Top (P1).



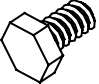

# Step 1

| You will need   |  |
|---|--|
|  |  |
| 4 x (H5)  |  |

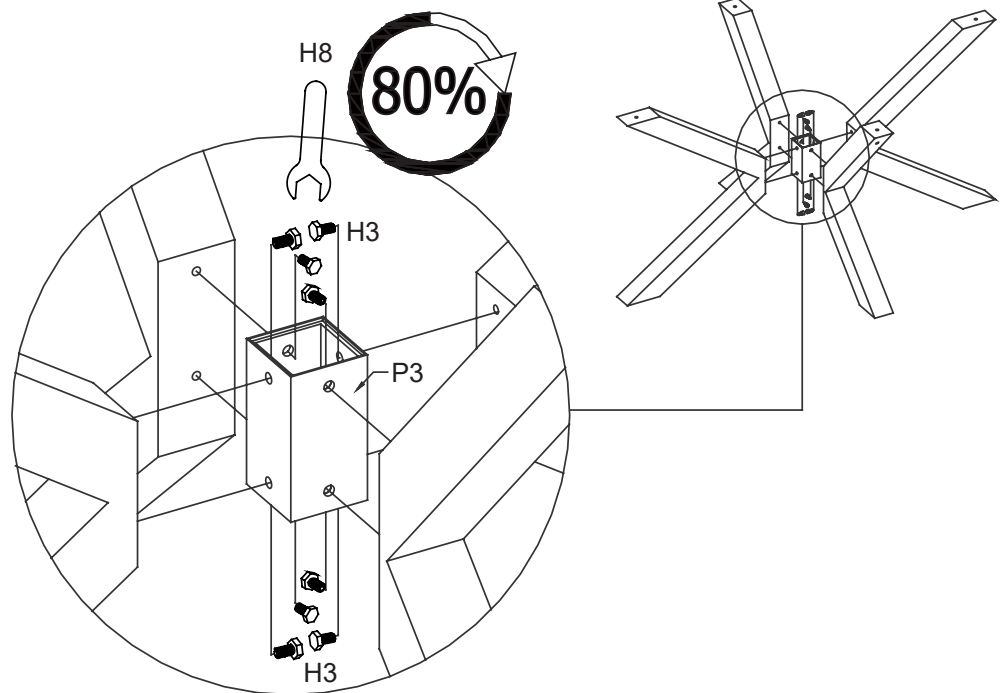
Attach adjustable feet (H5) to legs (P2).





# Step 2

| You will need   |   |
|---|---|
|  |  |
| 8 x (H3)  | 1 x (H8)  |

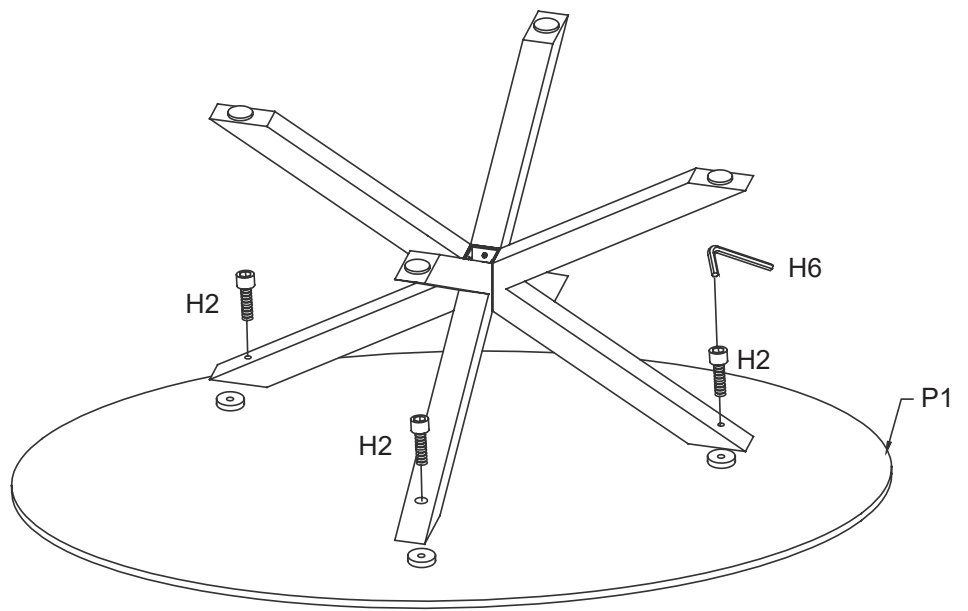
Attach legs (P2) to center block (P3) using bolts (H3) and wrench (H8). Be aware to only tighten bolts 80%




# Step 3

| You will need   |   |
|---|---|
|  |  |
| 4 x H2  | 1 x H6  |

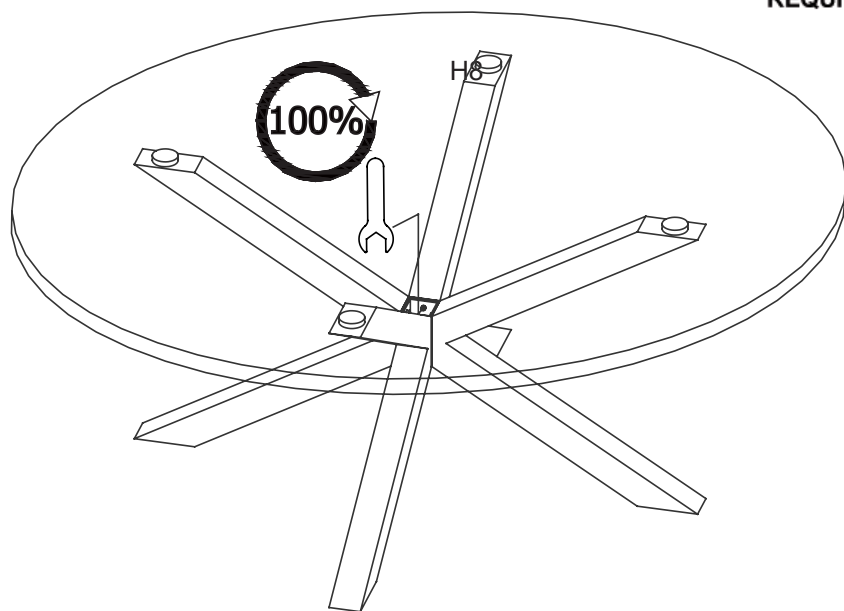
Attach legs (P2) to top (P1) by using 4 x bolts (H2) and allen key (H6), tighten all bolts (H2) 80%.






# Step 4

| You will need   |  |
|---|--|
|  |  |
| 1 x H8  |  |

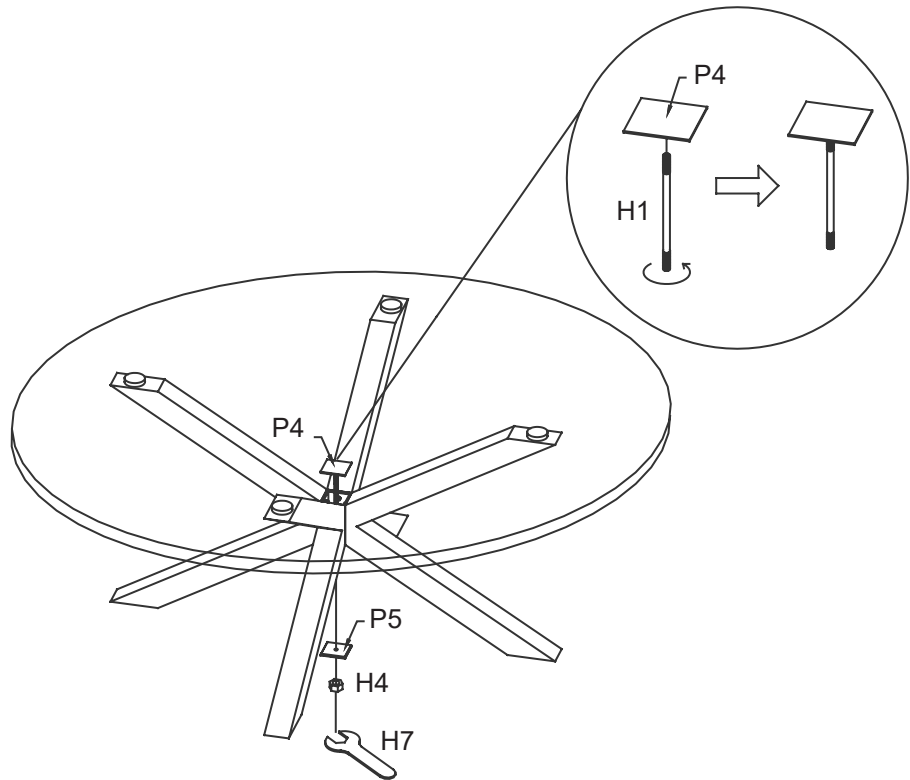
Carefully turn the table to its upright position. Make sure the table is level, then fully tighten all bolts (H2) and (H3)



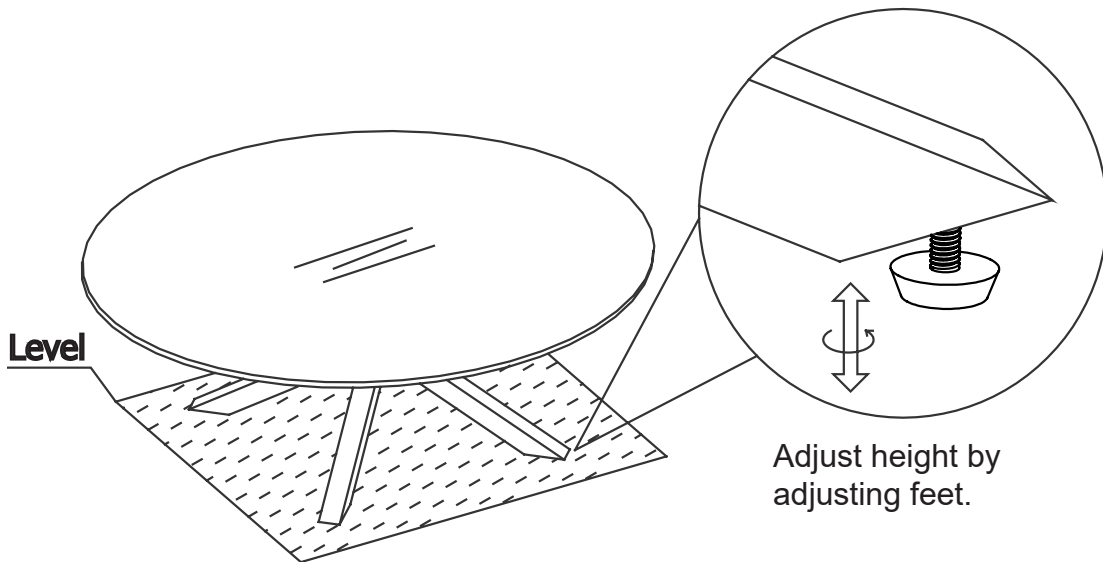
## Step 5

| You will need   |   |
|---|---|
|  |  |
| 1 x H1  | 1 x H4  |
|  |   |
| 1 x H7  |   |

Mount metal stick (H1) in base and attach caps (P4 and P5) using nut (H4) and wrench (H7).



## Step 6



# Job Complete!

In the interest of our environment please dispose of all packaging thoughtfully.