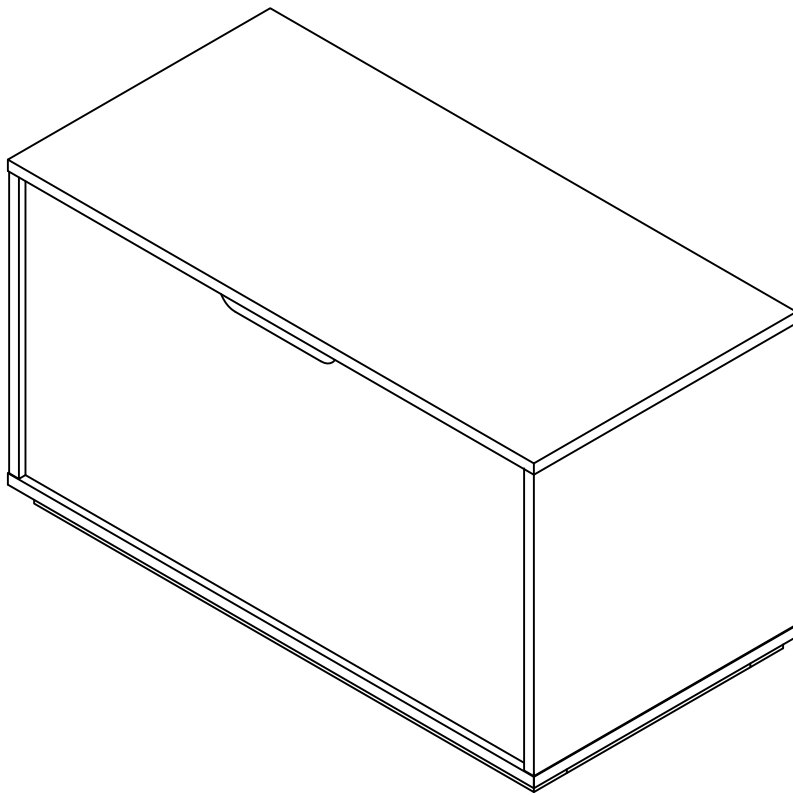




Version 1.0



# **CABIN Storage Box**

[www.fantasticfurniture.com.au](http://www.fantasticfurniture.com.au)

# Enjoy

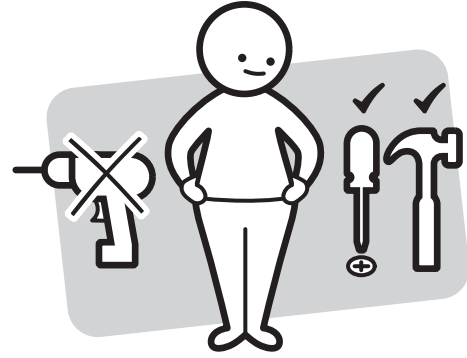
Your purchase from  
Australia's Best Value Furniture Store



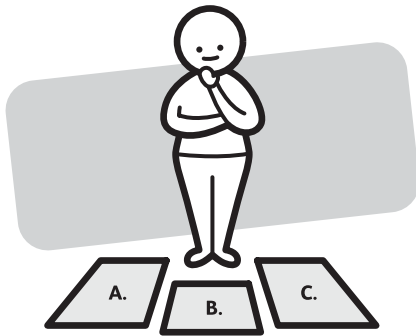
# Assembly checklist



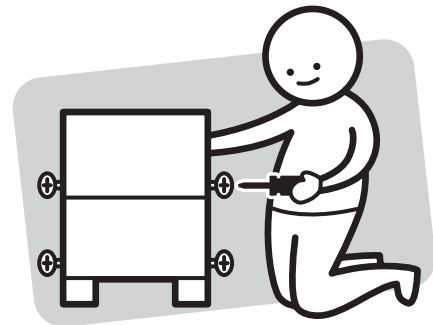
Read through the instructions carefully before you begin.



Make sure you have all the required tools. Never use power tools unless instructed.



Identify and lay out all of the components before you begin assembly.



Unless instructed, do not fully tighten screws until the item is fully assembled.

## Useful Information

! Never use power tools unless specifically instructed. They can damage your components or hardware if used incorrectly.

! The most common mistakes made during assembly are using the wrong hardware or getting components back to front.

! Always use a soft surface (such as carpet or cardboard) when assembling your product to avoid scratching or damaging the surface of the product.

! Bulky items such as wardrobes and bunk beds should be assembled in the room they will be used in as they may not fit through a door once assembled.

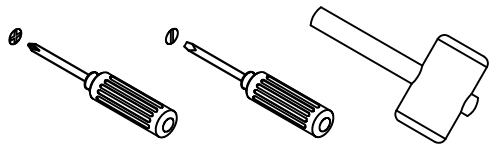
! Never use any glue until you are certain that the parts belong together.

! Periodically check and re-tighten all fasteners. Check the product care label or website for product care instructions.

! If you are having any difficulties assembling your product, missing any hardware or components please visit our website Help Centre for further assistance.

# What you need

to assemble the product



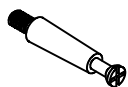
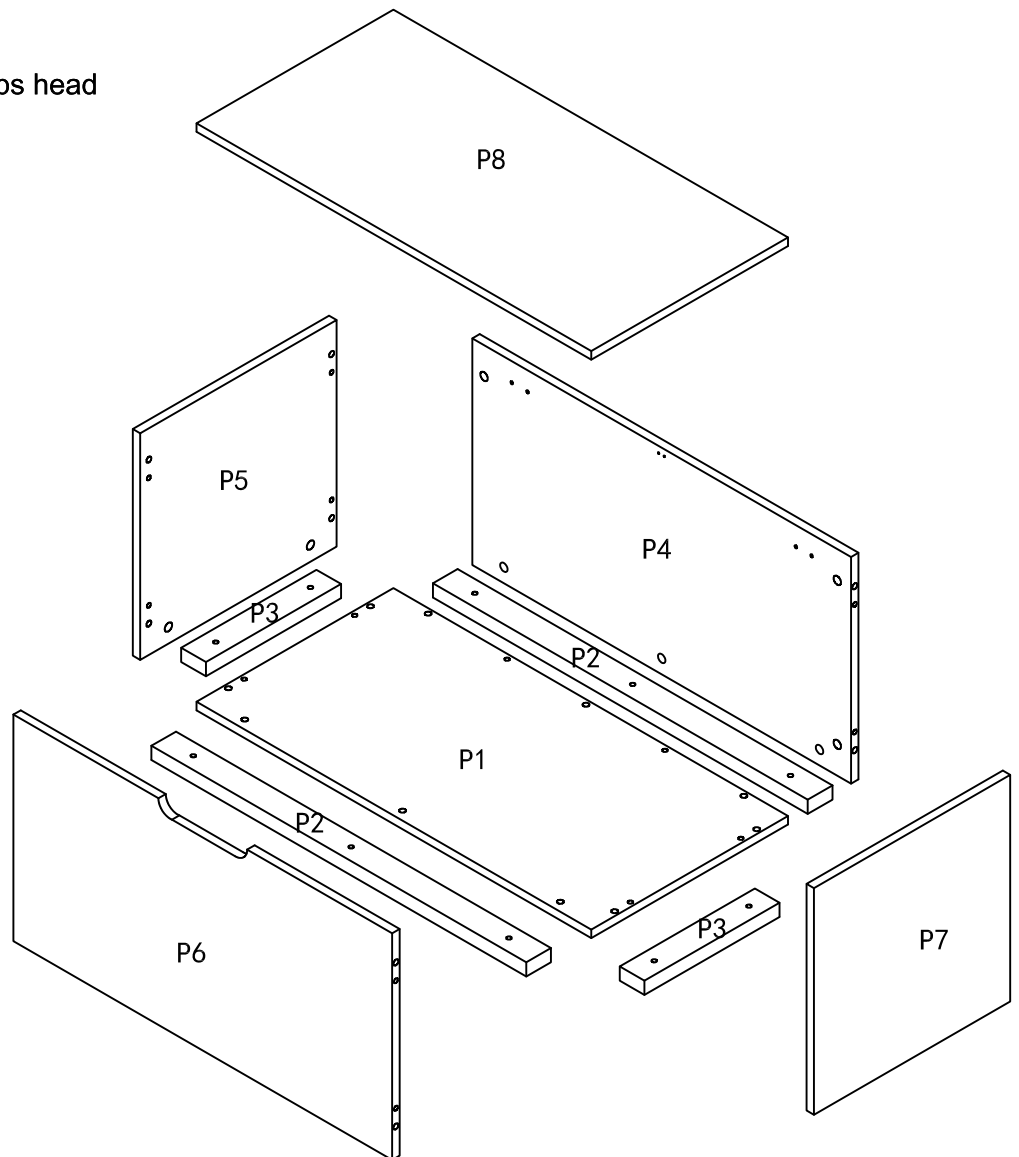
## Other tools you need

Flat head screwdriver, Phillips head screwdriver, Hammer

## Parts list

### Box 1:

- 1 x Bottom Panel (P1);
- 2 x Long Bottom Rails (P2);
- 2 x Short Bottom Rails (P3);
- 1 x Back Panel (P4);
- 1 x Left Side Panel (P5);
- 1 x Front Panel (P6);
- 1 x Right Side Panel (P7);
- 1 x Top Panel (P8);



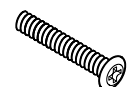
18 x Cam Bolts ( $\phi 7 \times 35$ )  
(H1)



18 x Cam Nuts ( $\phi 15 \times 12$ )  
(H2)



14 x Dowels (L30mm)  
(H3)



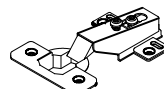
10 x Bolts (M6x25)  
(H4)



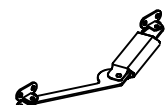
8 x Bolts (M4x10)  
(H5)



12 x Screws (L14mm)  
(H6)

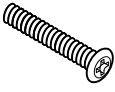
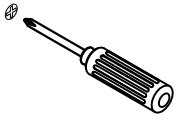


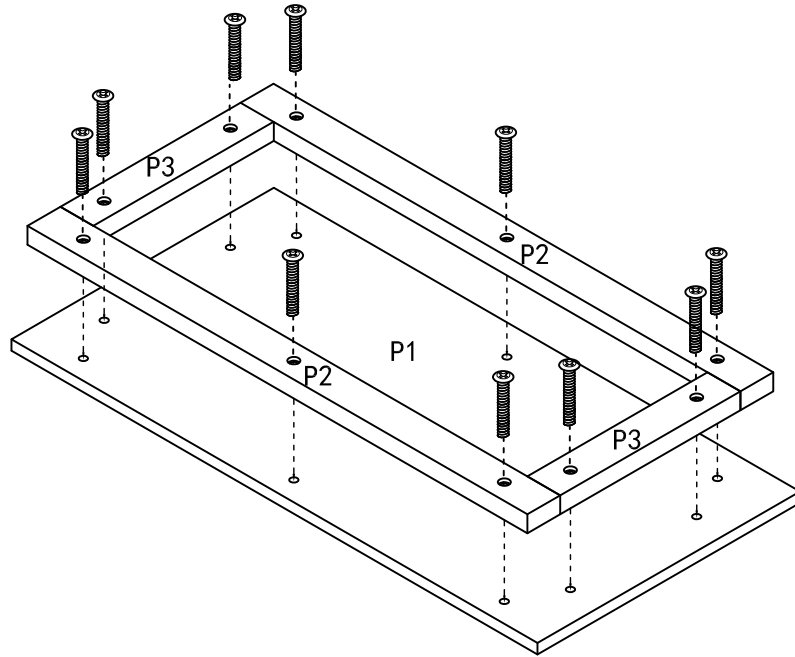
2 x Hinges  
(H7)



1 x Spring Supporter  
(H8)

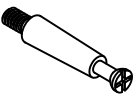
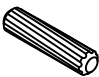
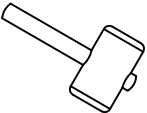
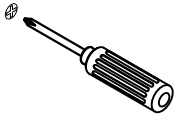
# Step 1

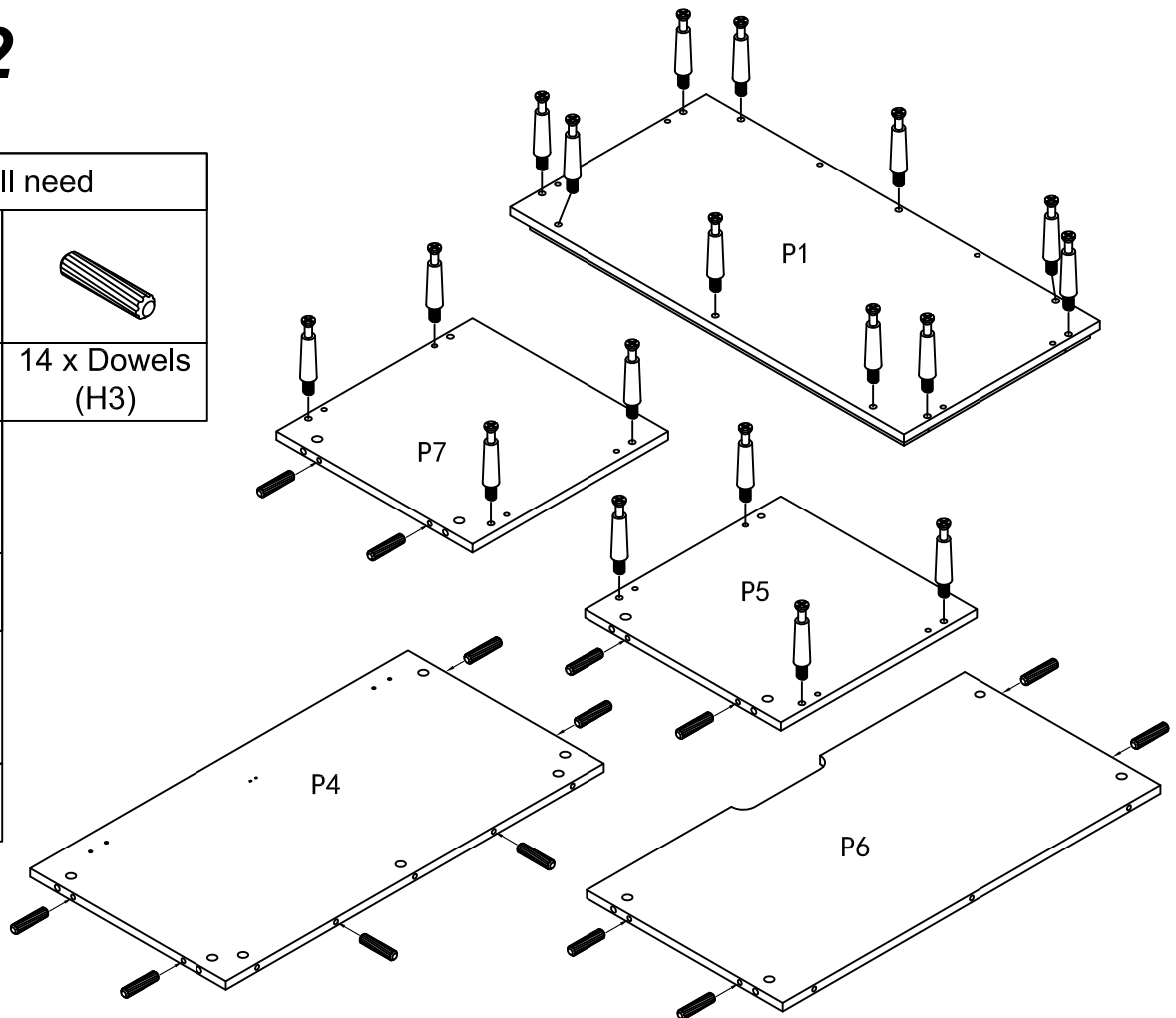
You will need	
	
10 x Bolts (H4)	
	
Phillips head screwdriver	



Attach 2 x Long Bottom Rail (P2), 2 x Short Bottom Rails (P3) to Bottom Panel (P1) with 10 x Bolts (H4) by using a Phillips head screwdriver.


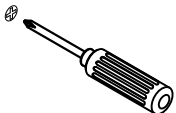
# Step 2

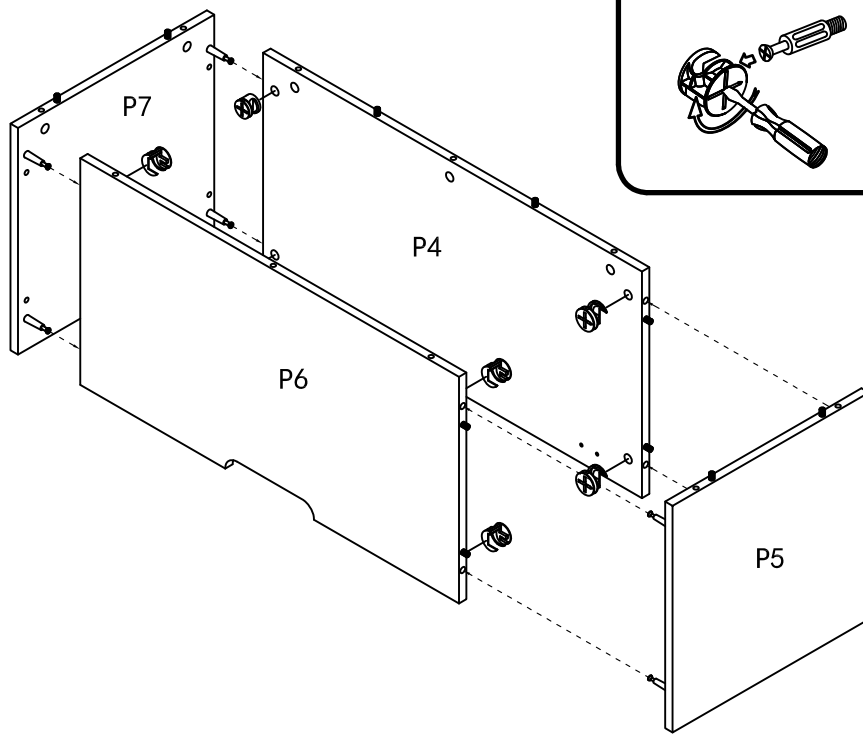
You will need	
	
18 x Cam Bolts (H1)	14 x Dowels (H3)
	
Hammer	
	
Phillips head screwdriver	



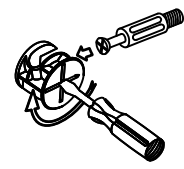
Insert 18 x Cam Bolts (H1) to Panels (P1), (P5) & (P7) and 14 x Dowels (H3) to Panels (P4), (P5), (P6) & (P7) as shown.

# Step 3

You will need

8 x Cam Nuts (H2)

Phillips head screwdriver




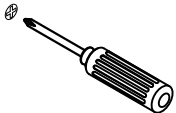
This is how a cam Nuts works.....

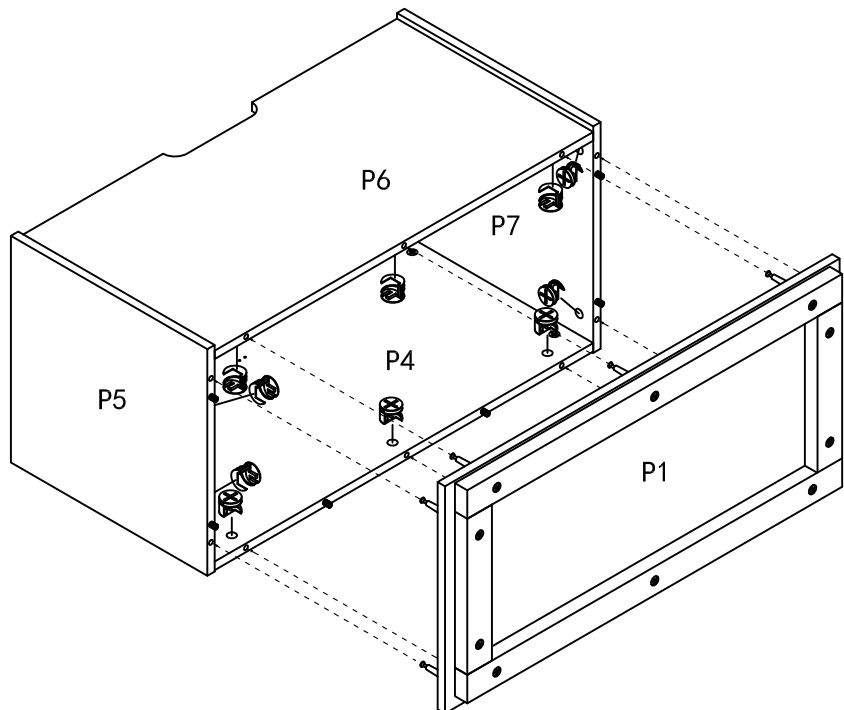


The head of the cam bolt goes into the open mouth of the cam Nuts. You then turn the cam Nuts so it tightens over the bolt.

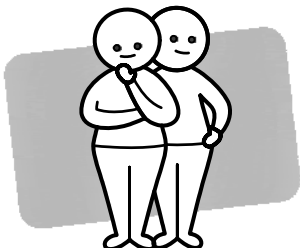
Insert 8 x Cam Nuts (H2) into holes on Back Panel (P4) and Front Panel (P6), rotate the Cam Nuts, so the arrow point towards the incoming Cam Bolts, attach (P5), (P7) to (P6) and (P4) as shown, turn the Cam Nuts clockwise to tighten.

# Step 4

You will need

10 x Cam Nuts (H2)

Phillips head screwdriver




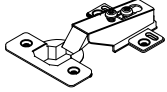
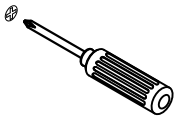
**TWO PEOPLE**

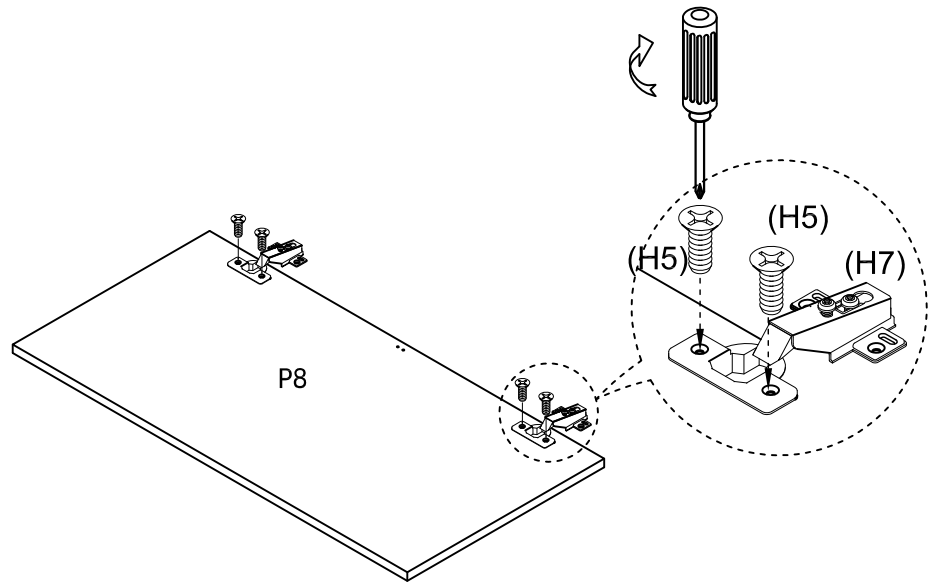


**REQUIRED**

Insert 10 x Cam Nuts (H2) into holes on Panels (P4), (P5), (P6) & (P7), rotate the Cam Nuts, so the arrow points towards the incoming Cam Bolts, then attach (P1) to (P4), (P5), (P6) & (P7) as shown, turn the Cam Nuts clockwise to tighten.



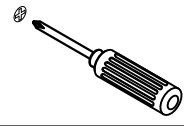
# Step 5

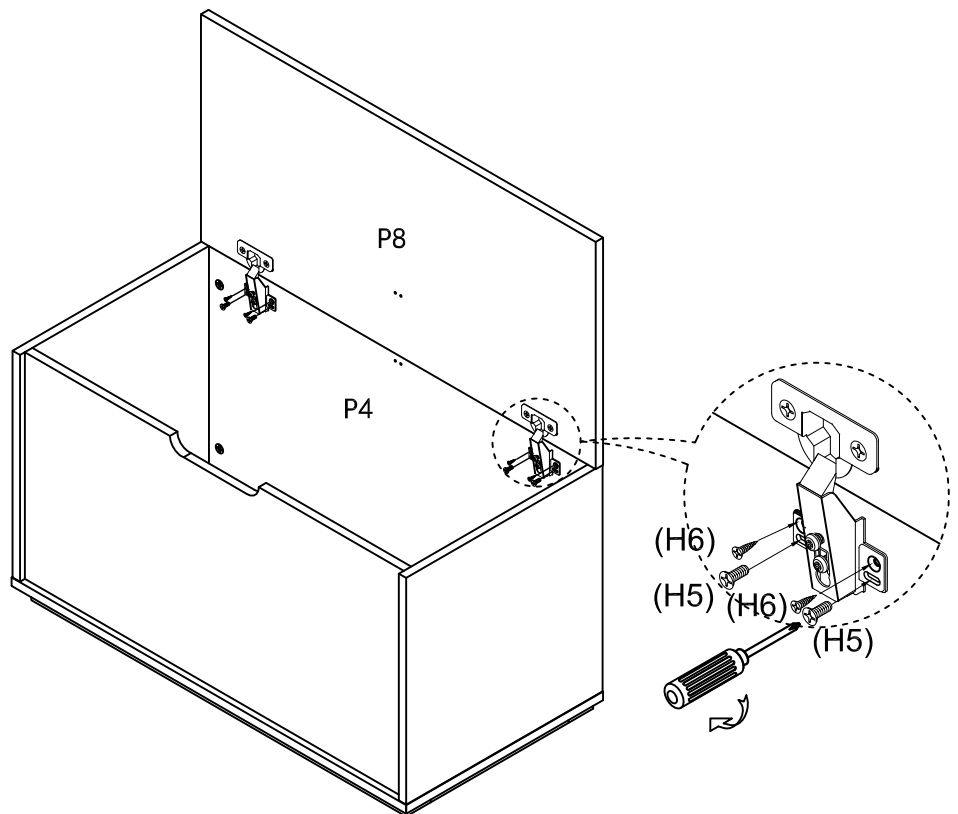
You will need	
	
4 x Bolts (H5)	2 x Hinges (H7)
	
Phillips head screwdriver	



Fix 2 x Hinges (H7) with 4 x Bolts (H5) by using a Phillip head screwdriver.



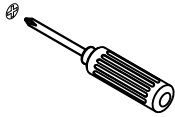
# Step 6

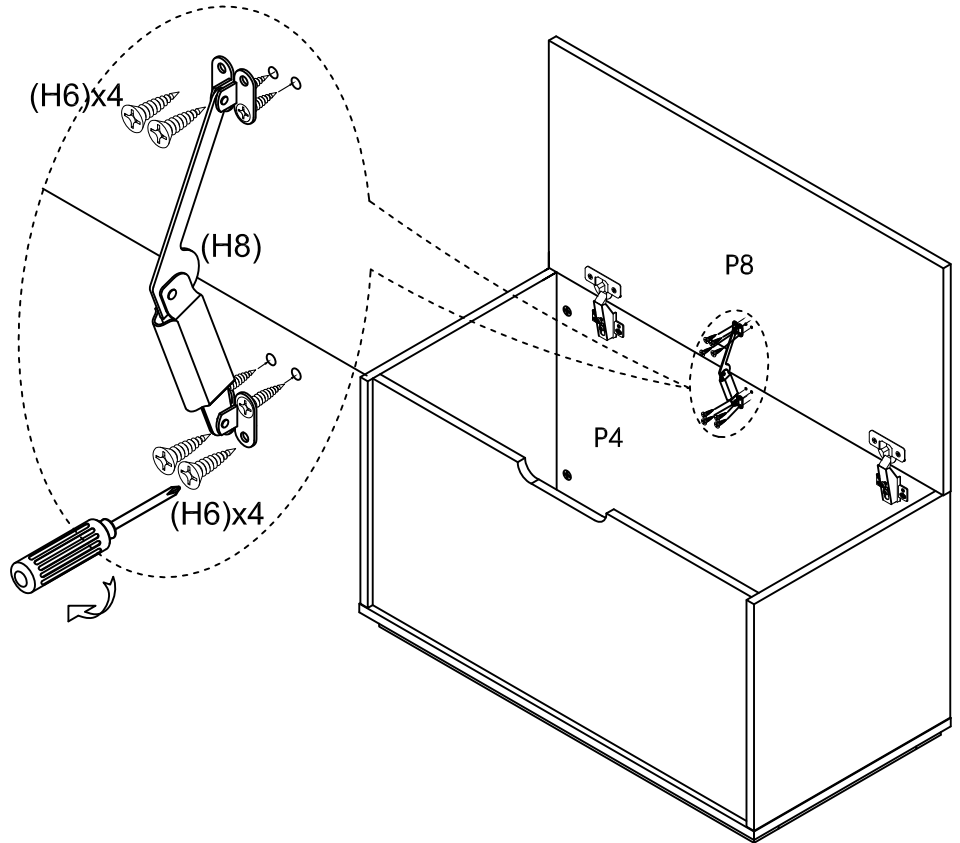
You will need	
	
4 x Bolts (H5)	4 x Screws (H6)
	
Phillips head screwdriver	



Attach (P8) to the Box Back Panel (P4) with 4 x Bolts (H5) and 4 x Screws (H6) as showing by using a Phillip head screwdriver as showing.

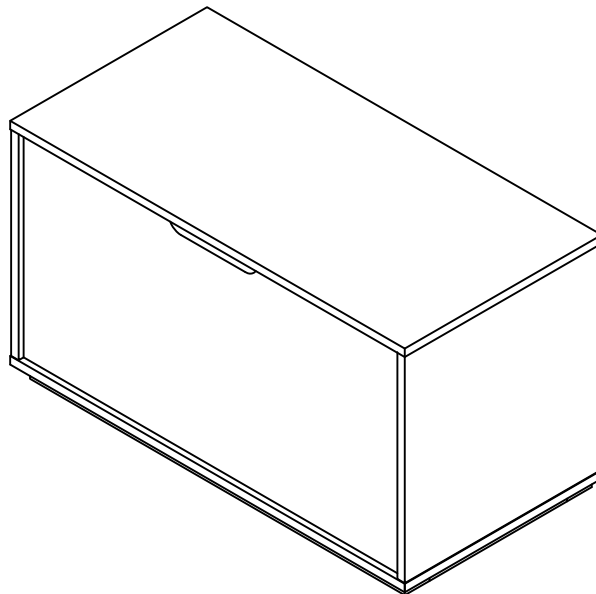
# Step 7

You will need	
	
8 x Screws (H6)	1 x Spring Supporter (H8)
	
Phillips head screwdriver	



Connecting Back Panel (P4) and Top Panel (P8) with 1 x Spring Supporter (H8) and 8 x Screws (H6) by using a Phillips head screwdriver.

# Step 8



## Job Complete!

In the interest of our environment please dispose of all packaging thoughtfully