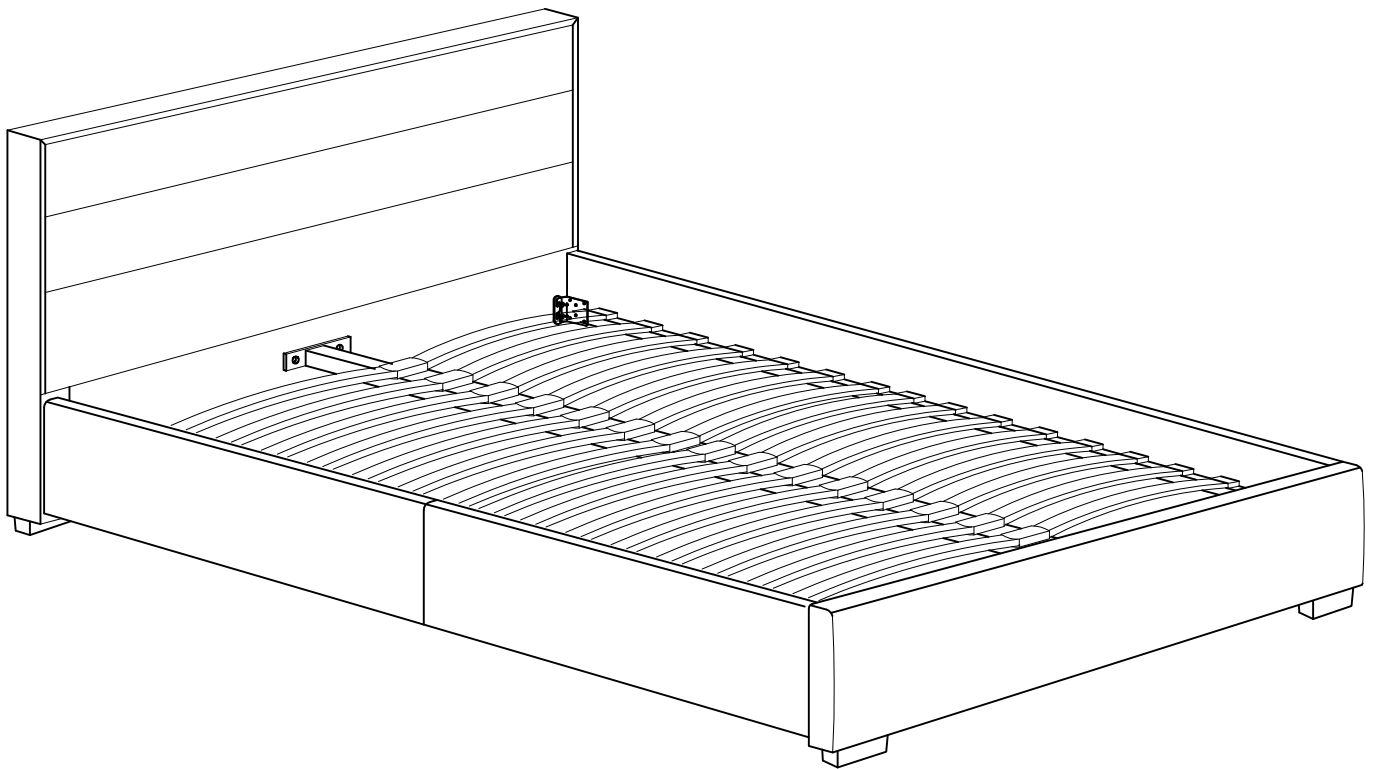
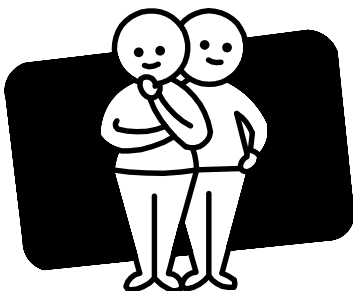




Version 1.1



TWO PEOPLE



REQUIRED

SAVILLE

QUEEN/KING BED

Enjoy

Your purchase From
Australia's Best Value Furniture Store



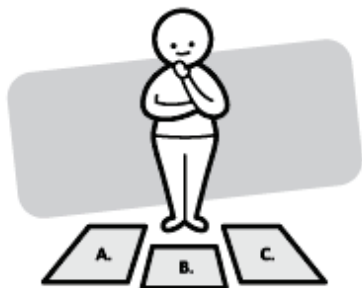
Assembly checklist



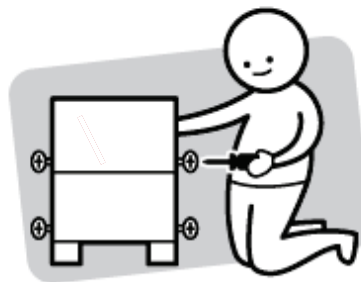
Read through the instructions carefully before you begin.



Make sure you have all the required tools. Never use power tools unless instructed.



Identify and lay out all of the components before you begin assembly.



Unless instructed, do not fully tighten screws until the item is fully assembled.

Useful Information

- ! Never use power tools unless specifically instructed. They can damage your components or hardware if used incorrectly.
- ! The most common mistakes made during assembly are using the wrong hardware or getting components back to front.
- ! Always use a soft surface (such as carpet or cardboard) when assembling your product to avoid scratching or damaging the surface of the product.
- ! Bulky items such as wardrobes and bunk beds should be assembled in the room they will be used in as they may not fit through a door once assembled.
- ! Never use any glue until you are certain that the parts belong together.
- ! Periodically check and re-tighten all fasteners. Check the product care label or website for product care instructions.
- ! If you are having any difficulties assembling your product, missing any hardware or components please visit our website Help Centre for further assistance.

What you need

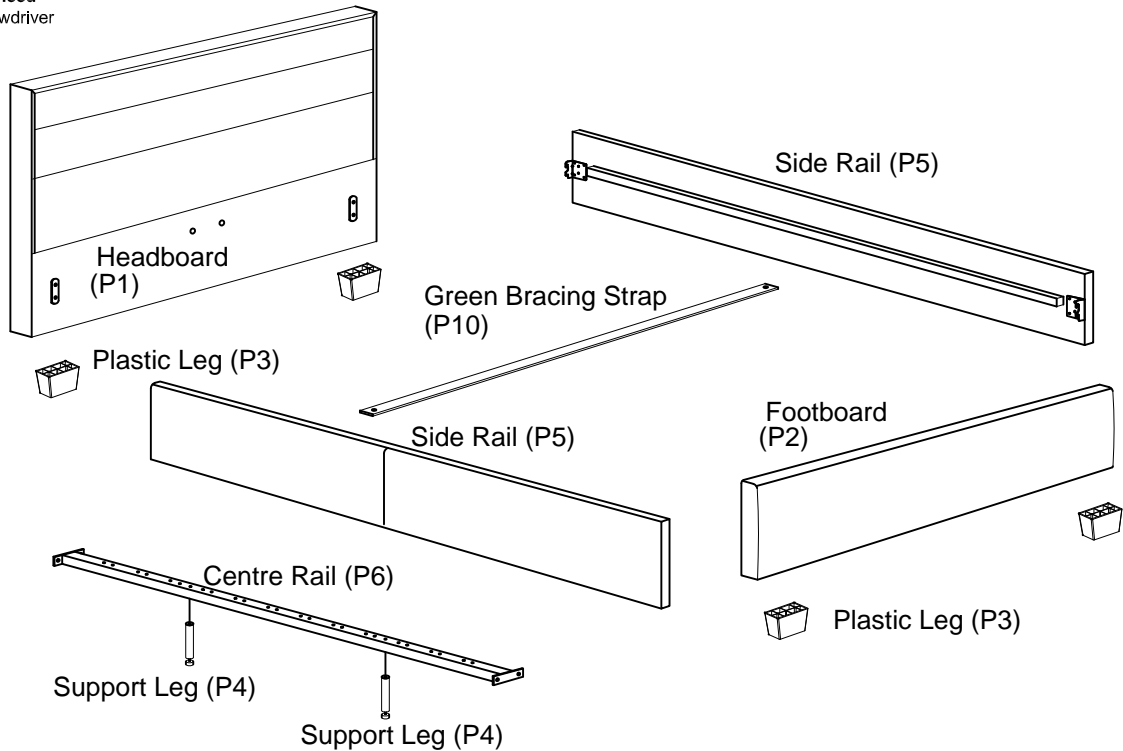
to assemble the product



DO NOT USE



Other tools you need
Phillips head screwdriver

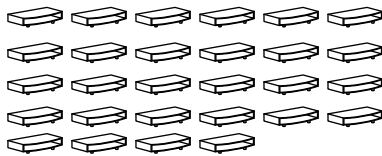


Parts list

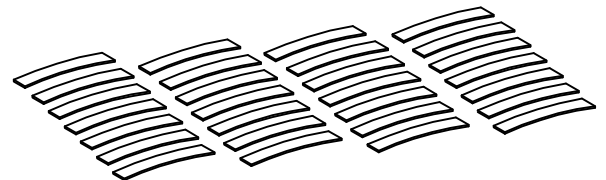
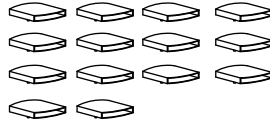
Box 1 : Footboard (P2) ; Plastic Leg (P3) ; Support Leg (P4) ; Side Rail (P5) ; Center Rail (P6) ;
End Connectors (P7) ; Center Connectors (P8) ; Green Bracing Strap (P10) ; Hardware Pack

Box 2 : Headboard (P1) ; Slats (P9)

28 x End Connectors (P7)



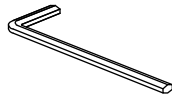
14 x Center Connectors (P8)



28 x Slats (P9)



(Bolt)
8 x M8 x 18mm
(H1)



1 x M5 (Allen Key)
(H2)



(Large Screw)
8 x M4 x 50mm
(H3)



6 x M8 x 25mm (Bolt)
(H4)



(Washer)
6 x M8 x 19mm
(H5)





(Small Screw)
2 x M4 x 25mm
(H6)

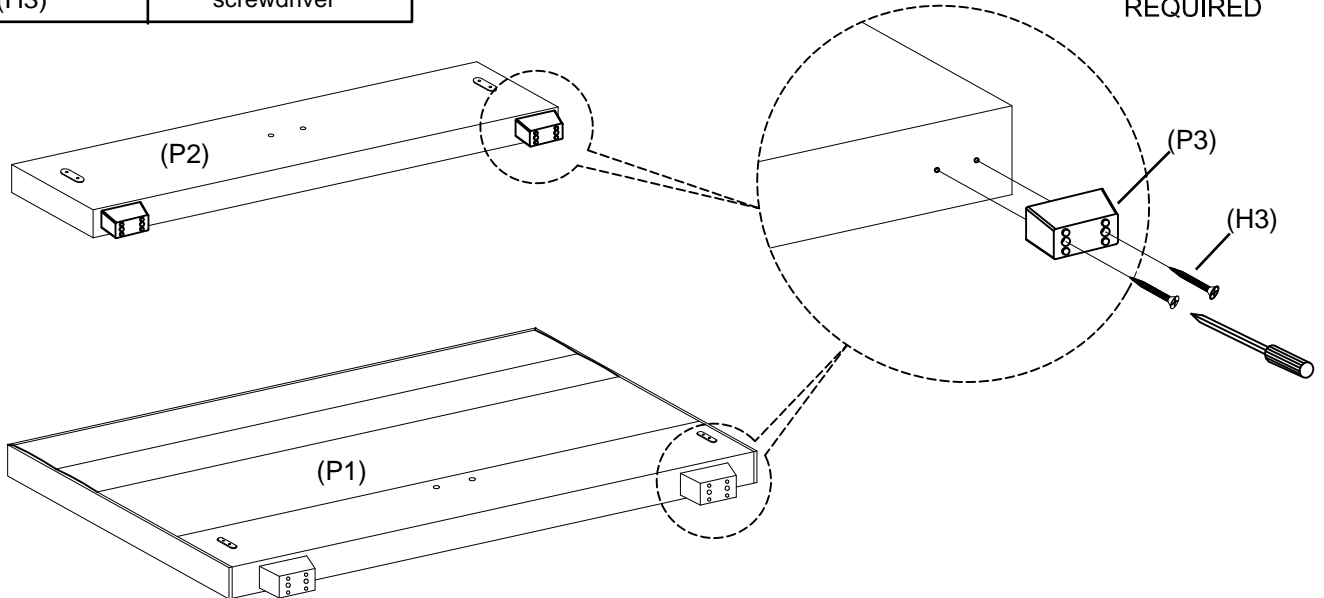
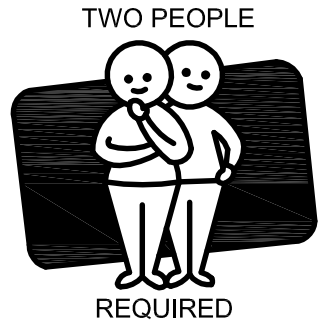


(Washer)
2 x M6 x 19mm
(H7)

Please make sure you have all these parts before you start


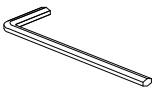
Step 1

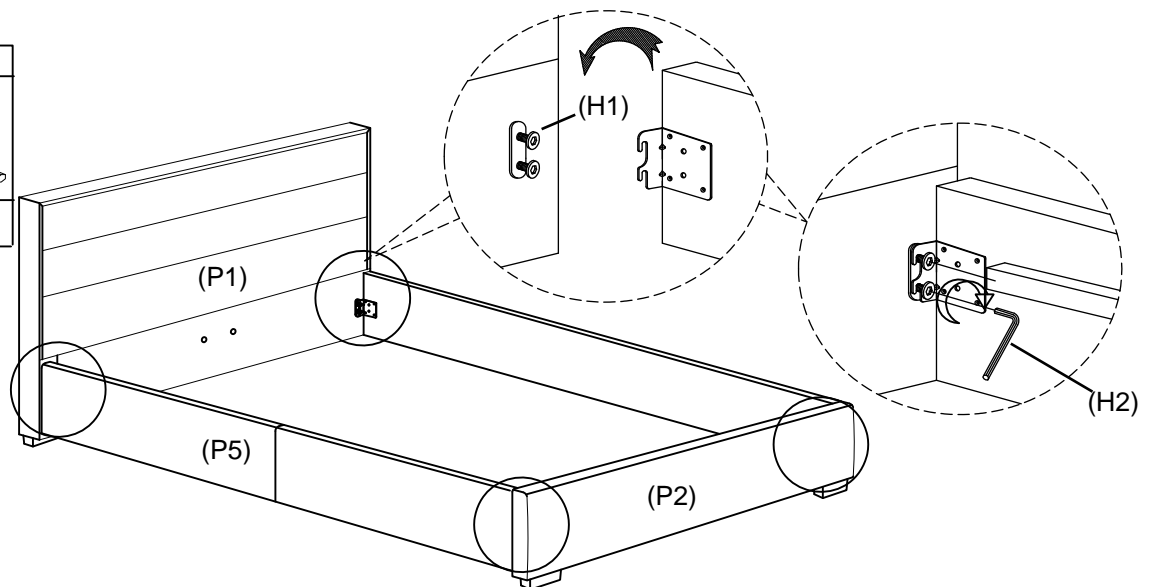
You will need	
	
8 x Large Screw 50mm (H3)	Phillips head screwdriver



Attach plastic legs (P3) to the bottom of headboard (P1) and footboard (P2).
With 8 x Large Screw M4x50mm (H3).

Step 2

You will need	
	
8 x Bolt 18mm (H1)	Allen Key (H2)

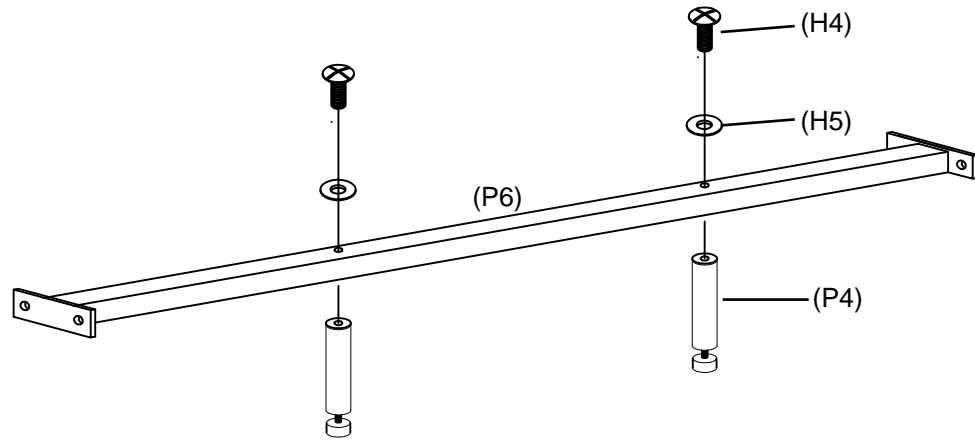


Install the bolts (H1) to the brackets by using Allen Key (H2) as shown, do not tighten the bolts and keep them 8 mm loose. Then attach side rail (P5) to headboard (P1) and footboard (P2) by slotting the bracket on the side rail (P5) over the bolt as shown. No need to tighten bolts until step 6.



Step 3

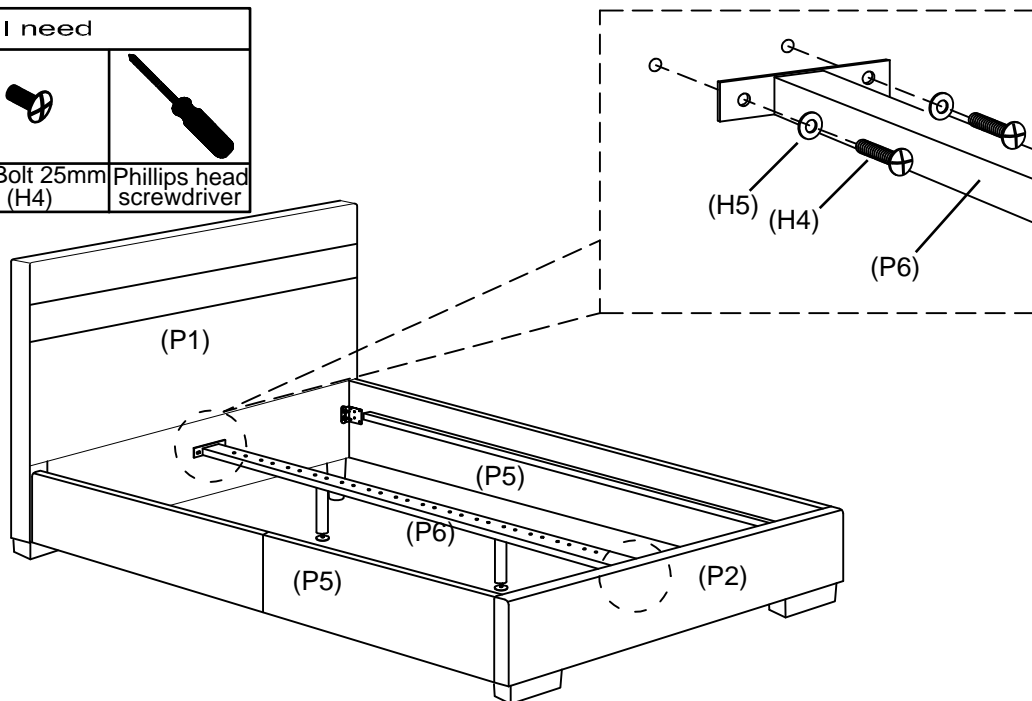
You will need		
2 x Washer M8 (H5)	2 x Bolt 25mm (H4)	Phillips head screwdriver



Attach the support legs (P4) to the centre rail (P6) using 2 x Bolts (H4), 2 x Washers (H5) as shown.

Step 4

You will need		
4 x Washer M8 (H5)	4 x Bolt 25mm (H4)	Phillips head screwdriver



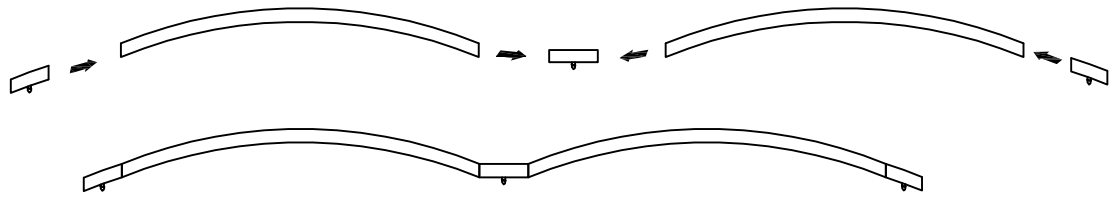
Slot the Centre rail (P6) into the headboard (P1) and footboard (P2).

Rotate 3/4 bolts (H4) using phillips head screwdriver (not included) to the headboard (P1) and footboard (P2). No need to tighten bolts until step 6.

Step 5

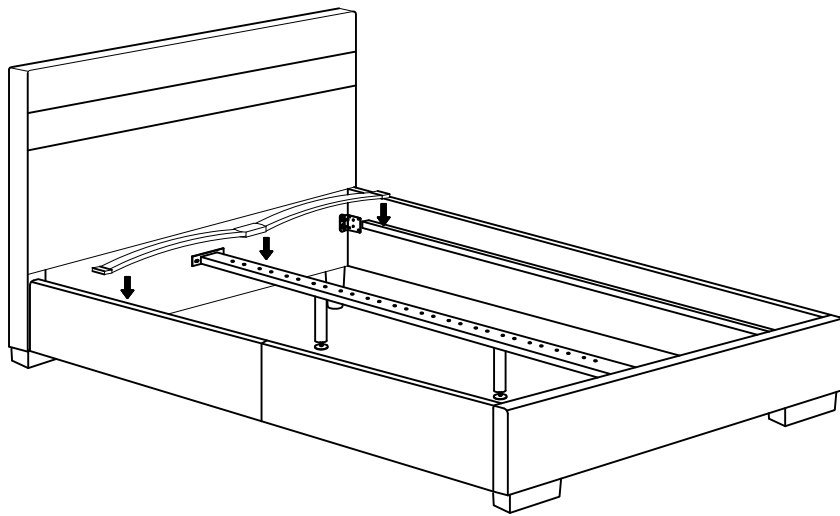
You will need	
28 x End Connectors (P7)	14 x Center Connectors (P8)
28 x Slats (P9)	

1



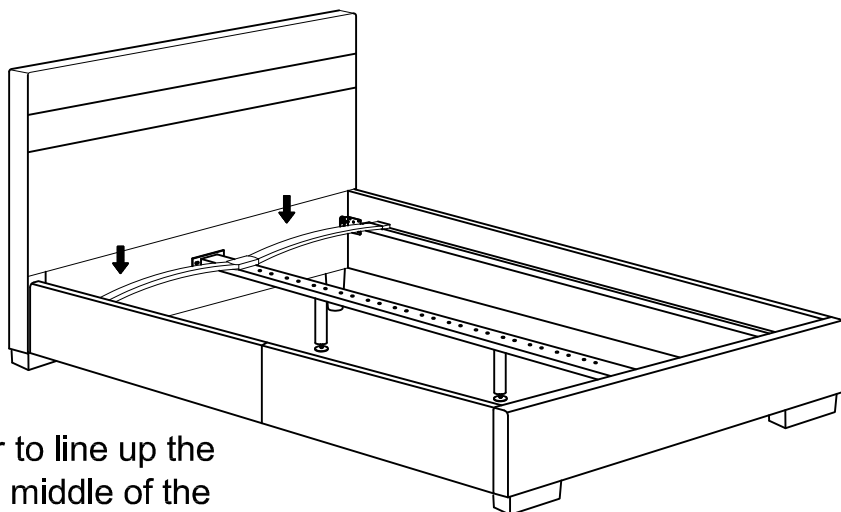
Push 2 End Connectors (P7), 2 pcs Slats (P9) and a Centre Connector (P8) together.

2



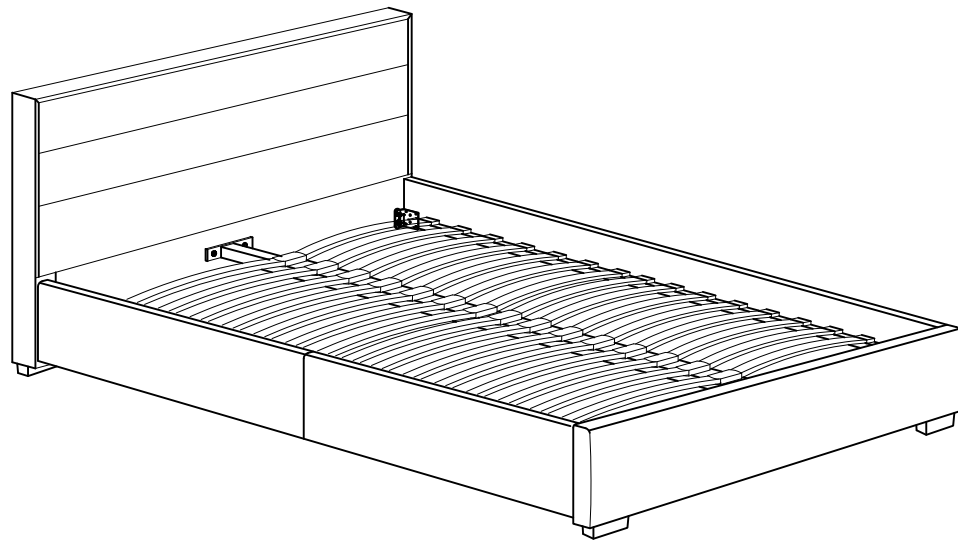
Insert the full slat into the side rail and centre rail one by one.

3



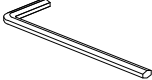


Sometimes it makes it easier to line up the hole if you press down in the middle of the slat to flatten it out.

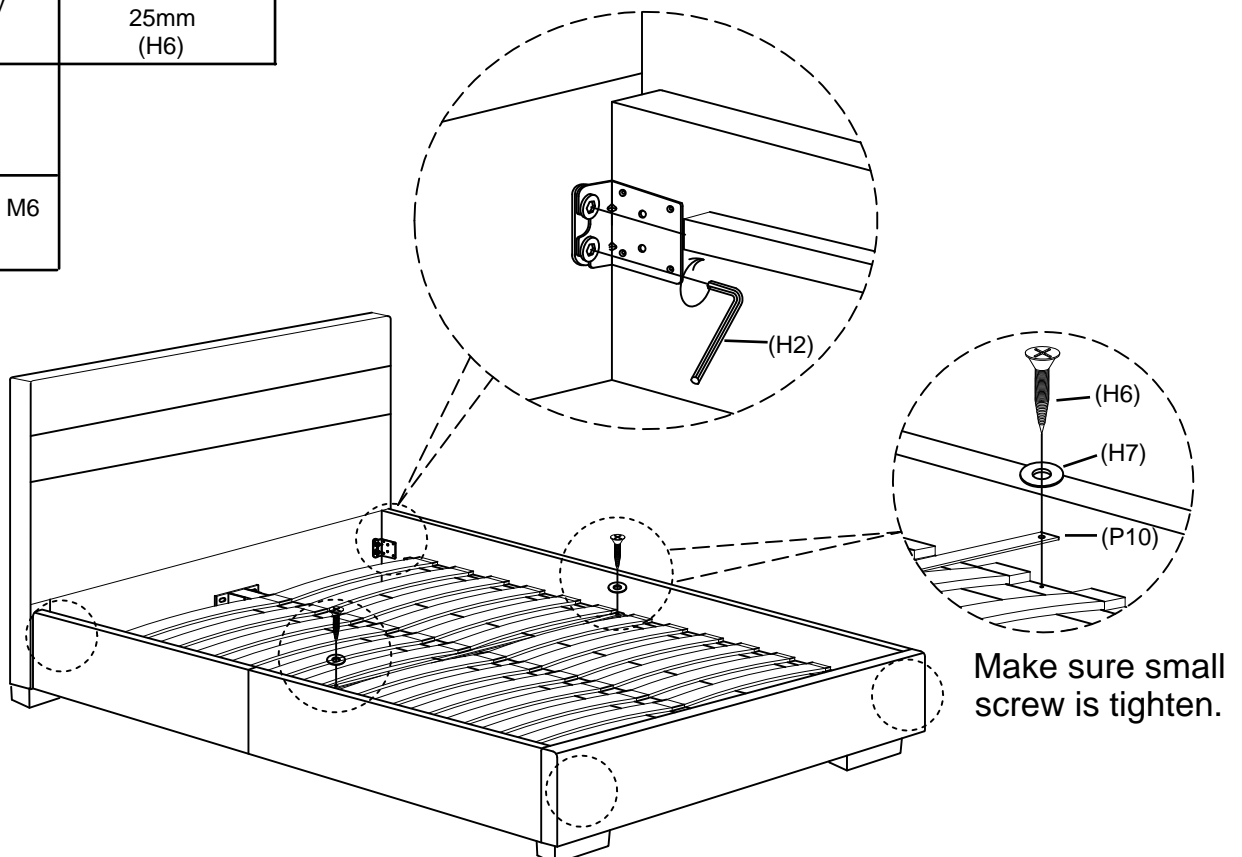
4



Repeat for every bed slat until finished.

Step 6

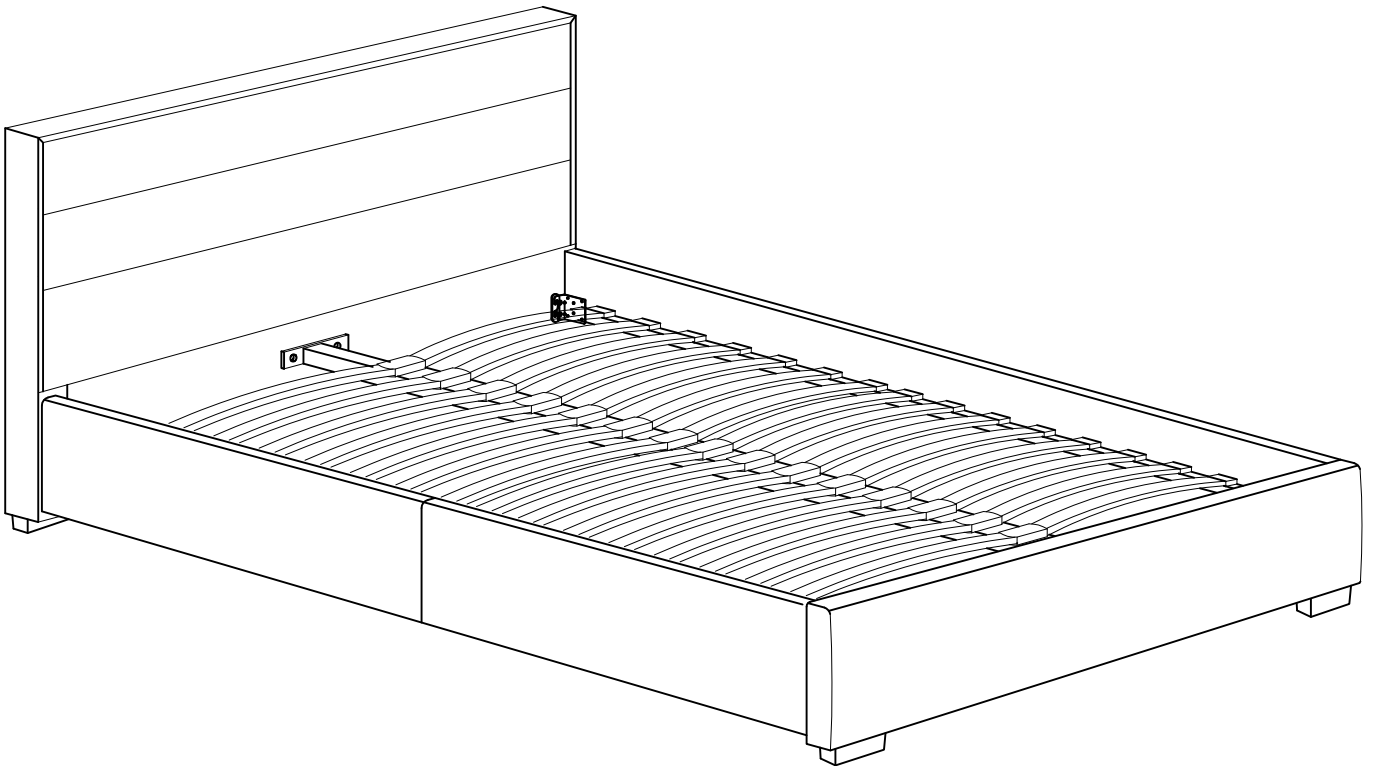
You will need	
	
Allen Key (H2)	2 x Small Screw 25mm (H6)
	
2 x Washer M6 (H7)	



Make sure the inner space is square.

Attach the green bracing strap (P10) to the centre of side rails (P5) using small screws (H6) and washers (H7). Now tighten all the bolts on the corner bracket and tighten bolts on the headboard (P1) and footboard (P2).

Step 7



Job Complete

In the interest of our environment please dispose of all packaging thoughtfully.