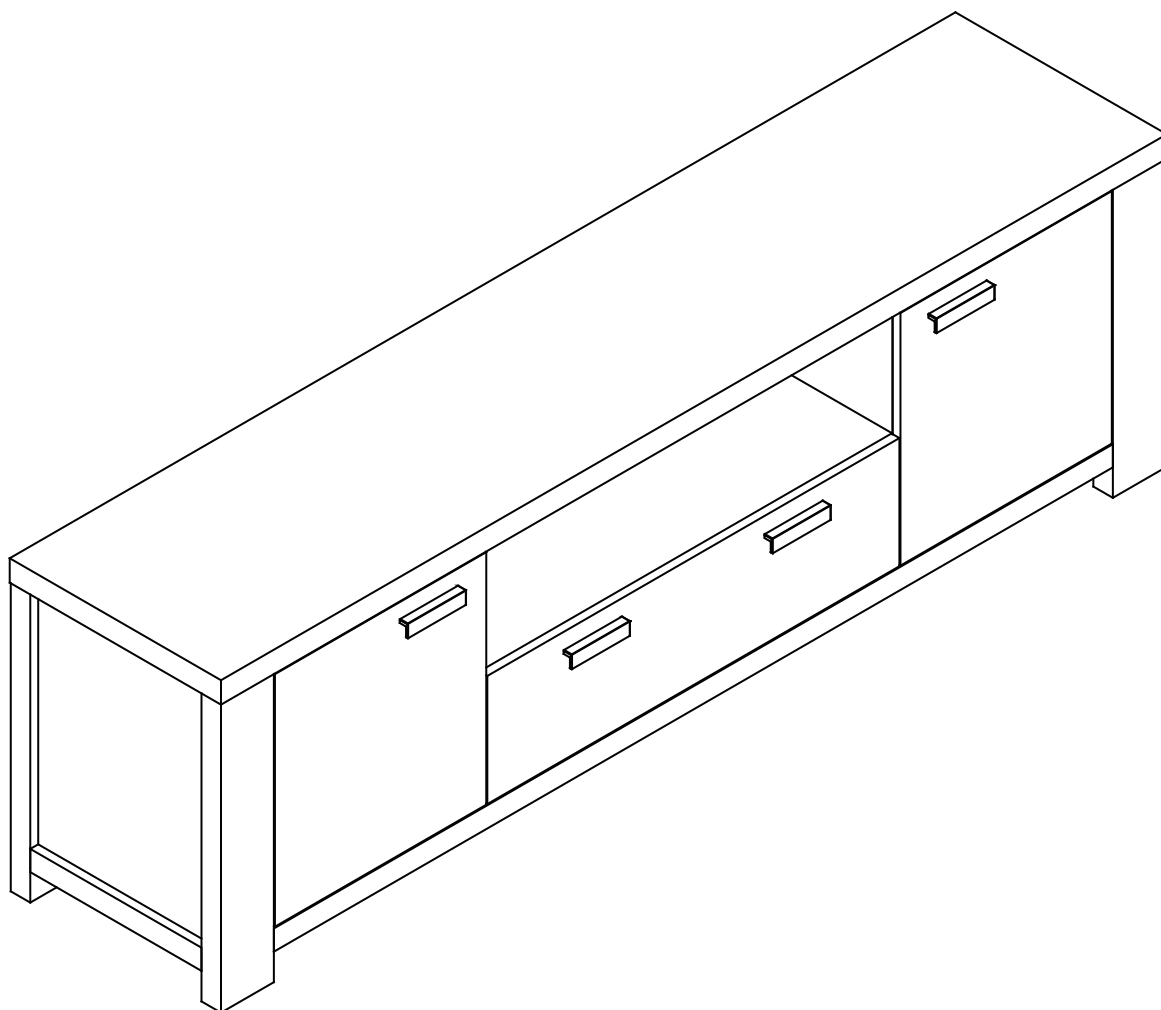




**Fantastic
Furniture**

Version 1.0



Two People



Required

Havana
Lowline Large

fantasticfurniture.com.au

Recommended weight capacity : 80kg.

Looks like you've found your Fantastic!

We're thrilled you've chosen Fantastic Furniture
to help create a home you'll love!



Fantastic Furniture

Love it? Share it!

Fantastic buy! Share how it looks at home on Instagram for
your chance to win a \$250 Fantastic Furniture Gift Card!

@fantasticfurniture

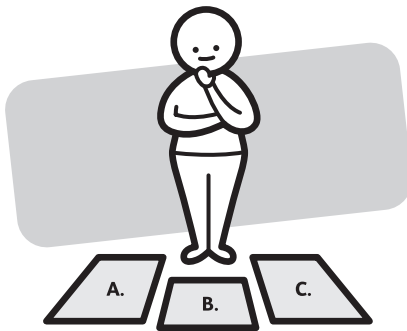
Assembly Checklist



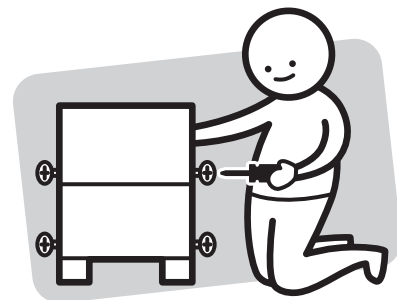
Read through the instructions carefully before you begin.



Make sure you have all the required tools. Never use power tools unless instructed.



Identify and lay out all of the components before you begin assembly.



Unless instructed, do not fully tighten screws until the item is fully assembled.

Useful Information

- ! Never use power tools unless specifically instructed. They can damage your components or hardware if used incorrectly.
- ! The most common mistakes made during assembly are using the wrong hardware or getting components back to front.
- ! Always use a soft surface (such as carpet or cardboard) when assembling your product to avoid scratching or damaging the surface of the product.
- ! Bulky items such as wardrobes and bunk beds should be assembled in the room they will be used in as they may not fit through a door once assembled.
- ! Never use any glue until you are certain that the parts belong together.
- ! Periodically check and re-tighten all fasteners. Check the product care label or website for product care instructions.
- ! If you are having any difficulties assembling your product, missing any hardware or components please visit our website Help Centre for further assistance.
- ! Please see page 2 for any safety requirements or weight restrictions.

What you need

to assemble the product



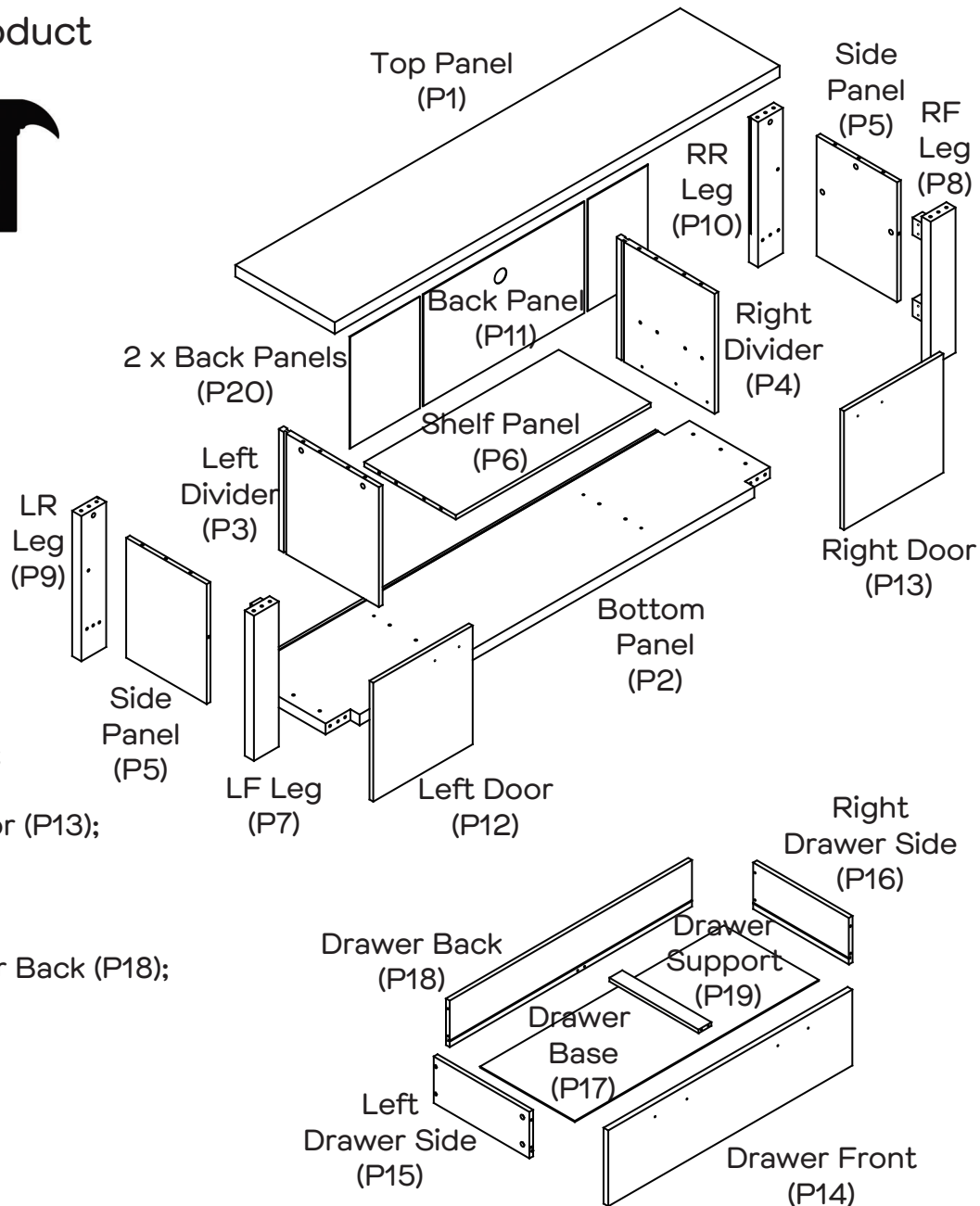
DO NOT USE



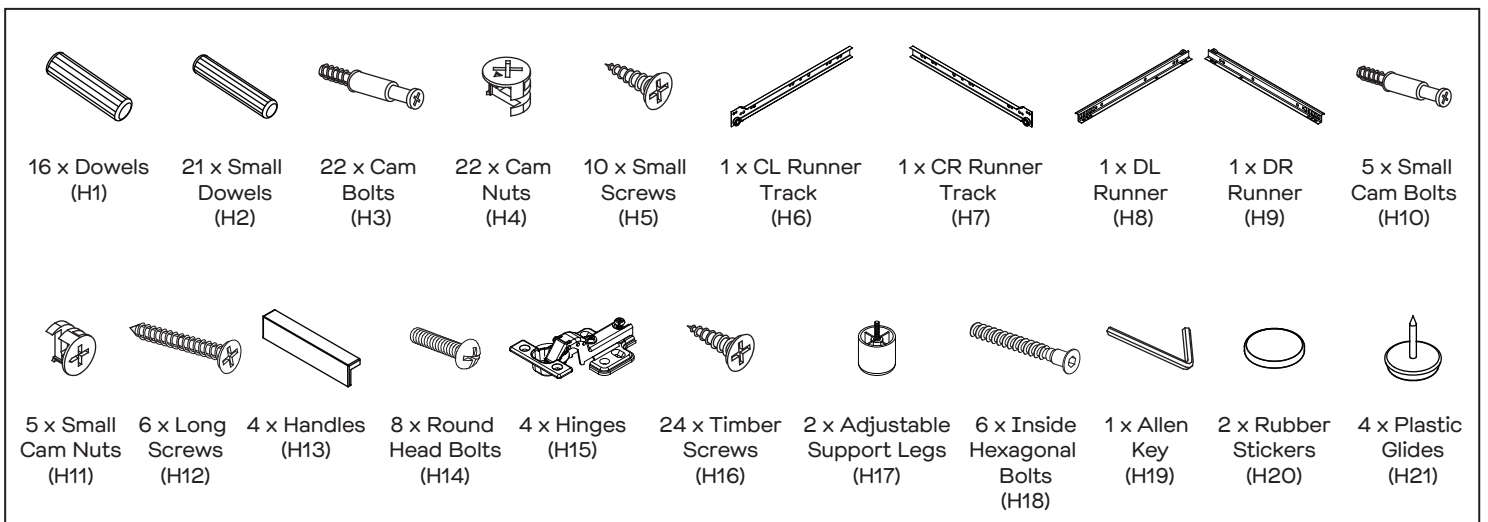
Other tools you need:
Phillips head screwdriver;
Hammer

Parts list

Top Panel (P1);
Bottom Panel (P2);
Left Divider (P3);
Right Divider (P4);
2 x Side Panels (P5);
Shelf Panel (P6);
LF Leg (P7); RF Leg (P8);
LR Leg (P9); RR Leg (P10);
Back Panel (P11);
Left Door (P12); Right Door (P13);
Drawer Front (P14);
Left Drawer Side (P15);
Right Drawer Side (P16);
Drawer Base (P17); Drawer Back (P18);
Drawer Support (P19);
2 x Back Panels (P20);

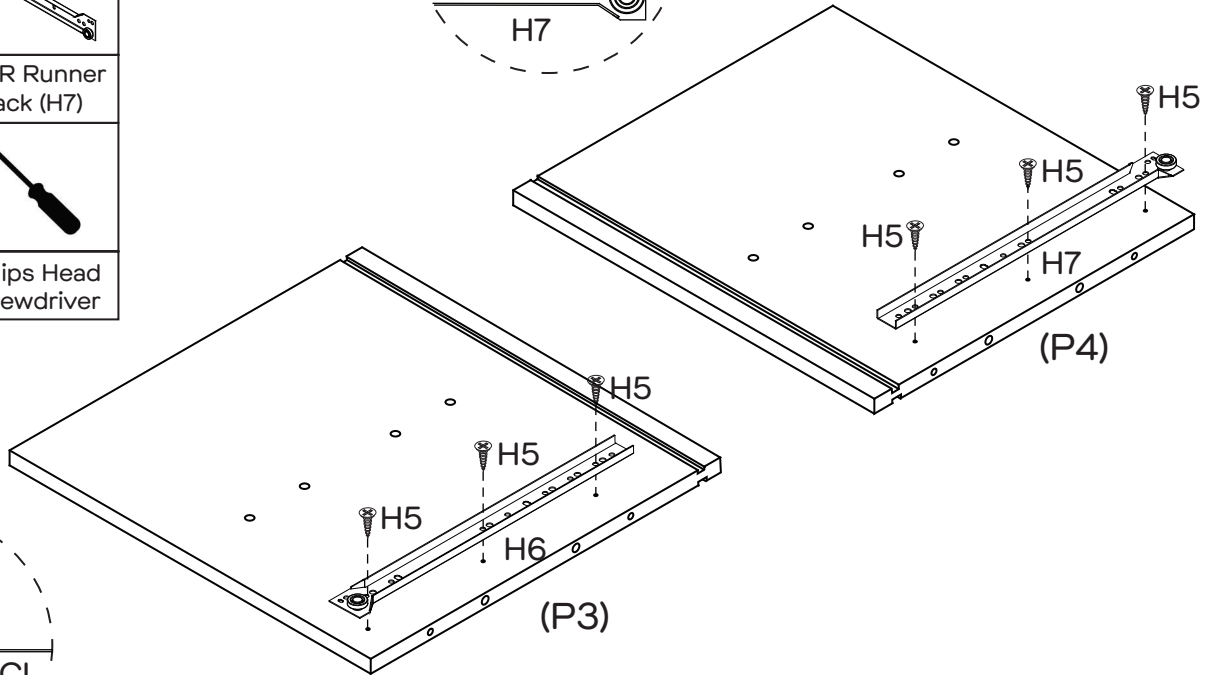
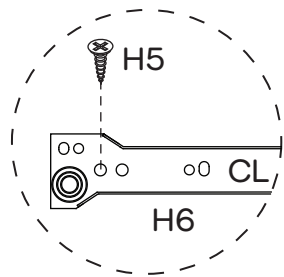
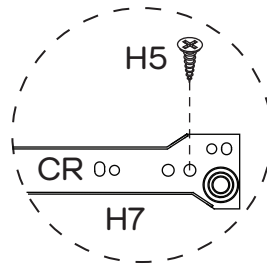


Hardware pack



Step 1

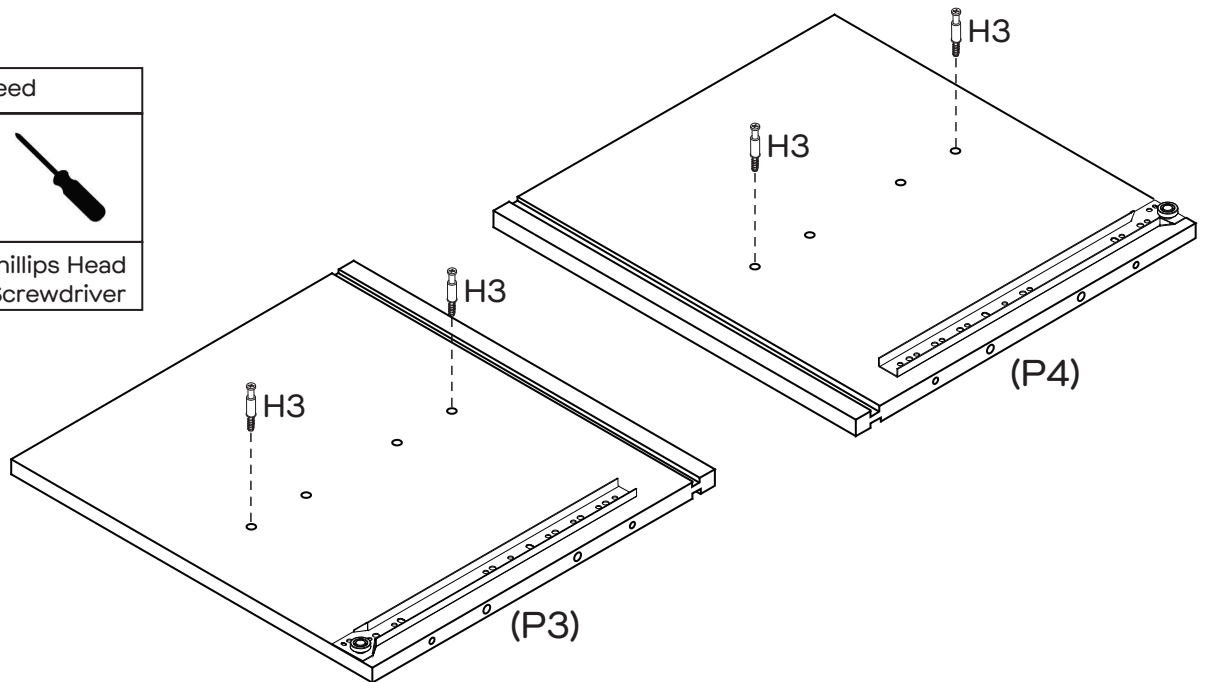
You will need	
1 x CL Runner Track (H6)	1 x CR Runner Track (H7)
6 x Small Screws (H5)	Phillips Head Screwdriver



Attach 1 x CL Runner Track (H6) to Left Divider (P3) with 3 x Small Screws (H5).
 Attach 1 x CR Runner Track (H7) to Right Divider (P4) with 3 x Small Screws (H5).

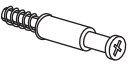

Step 2

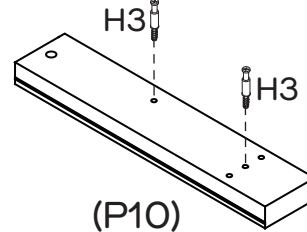
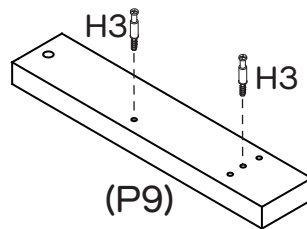
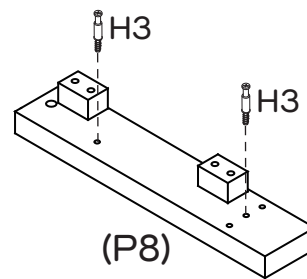
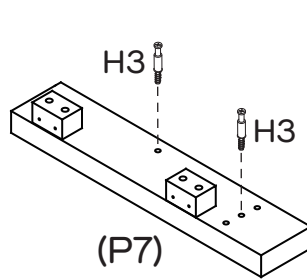
You will need	
4 x Cam Bolts (H3)	Phillips Head Screwdriver



Attach 4 x Cam Bolts (H3) into Dividers (P3, P4) using a Phillips head screwdriver.

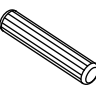


Step 3

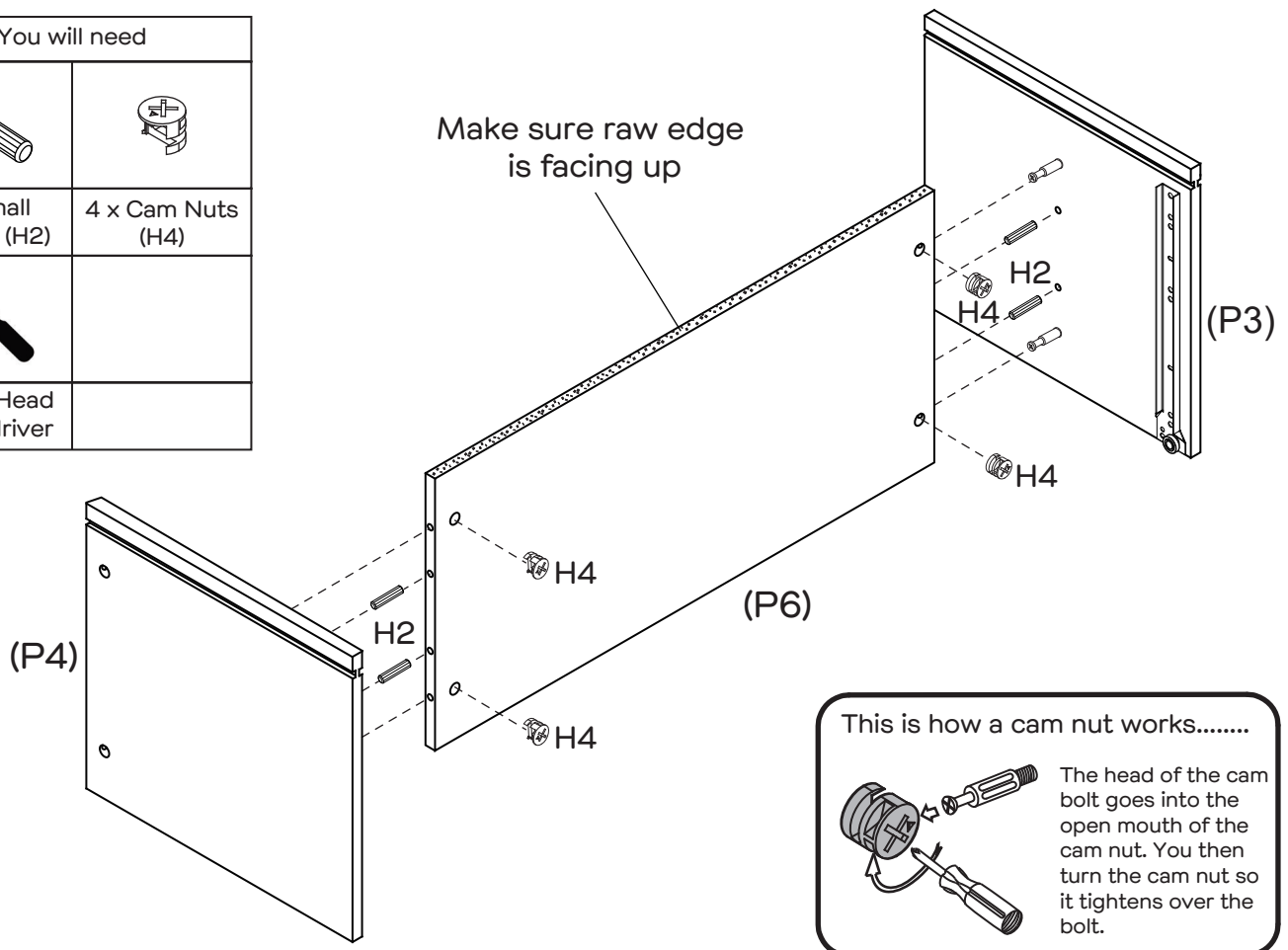
You will need	
	
8 x Cam Bolts (H3)	Phillips Head Screwdriver



Attach 8 x Cam Bolts (H3) into Legs (P7, P8, P9, P10) using a Phillips head screwdriver.

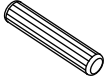
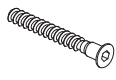

Step 4

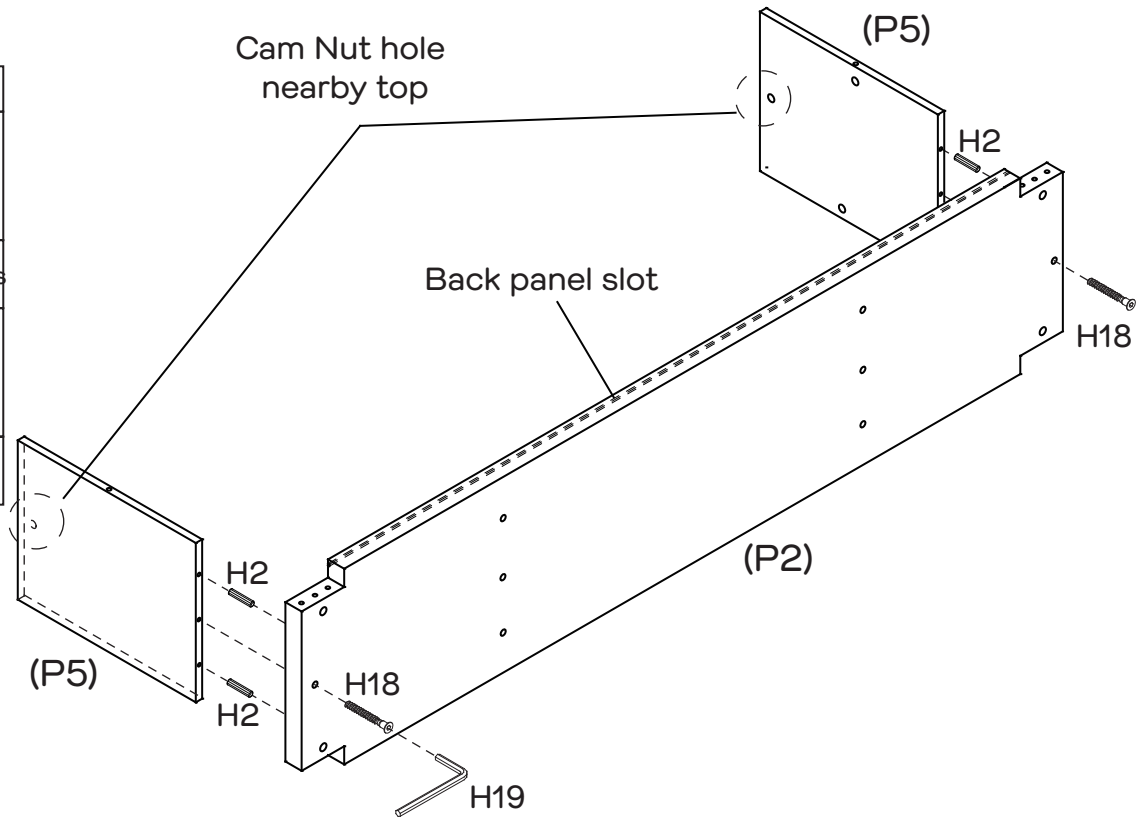
You will need	
	
4 x Small Dowels (H2)	4 x Cam Nuts (H4)
	
Phillips Head Screwdriver	



Insert 4 x Small Dowels (H2) into the holes of Shelf Panel (P6) as shown.
 Insert 4 x Cam Nuts (H4) into the holes of Shelf Panel (P6).
 Rotate the cam nuts so the arrows point towards the incoming cam bolts.
 Attach Dividers (P3, P4) to Shelf Panel (P6),
 then tighten the cam nuts using a Phillips head screwdriver.

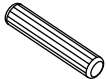
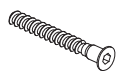

Step 5

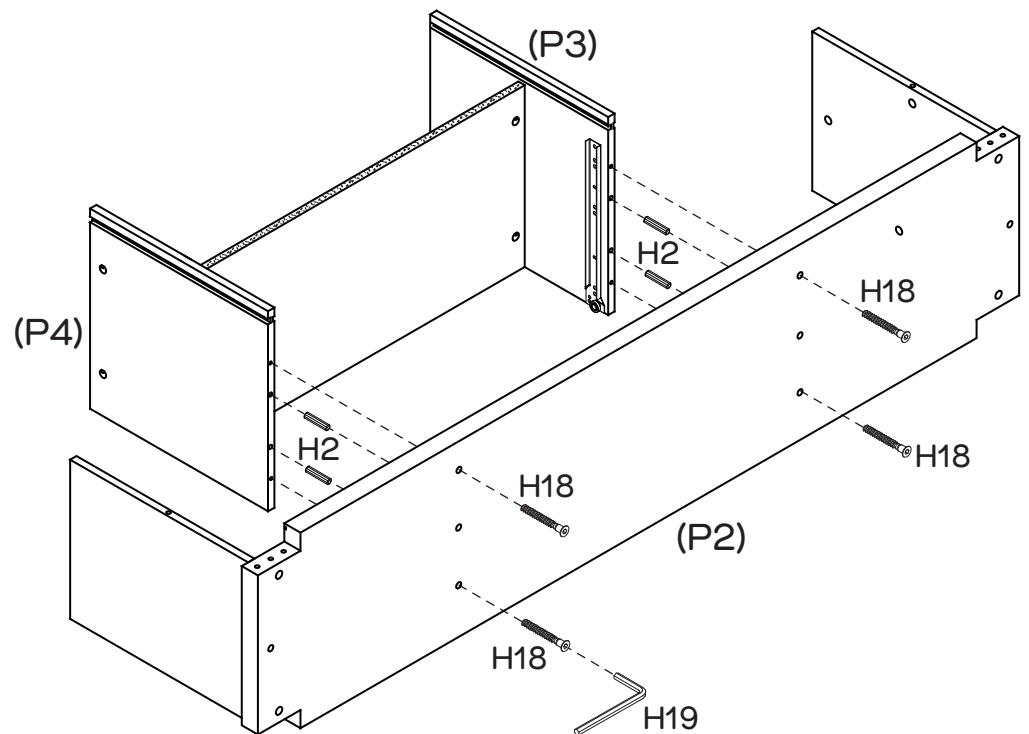
You will need	
	
4 x Small Dowels (H2)	2 x Inside Hexagonal Bolts (H18)
	
1 x Allen Key (H19)	



Insert 4 x Small Dowels (H2) into the holes of Bottom Panel (P2).
Attach Side Panels (P5) to Bottom Panel (P2) with
2 x Inside Hexagonal Bolts (H18) using an Allen Key (H19).

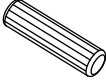


Step 6

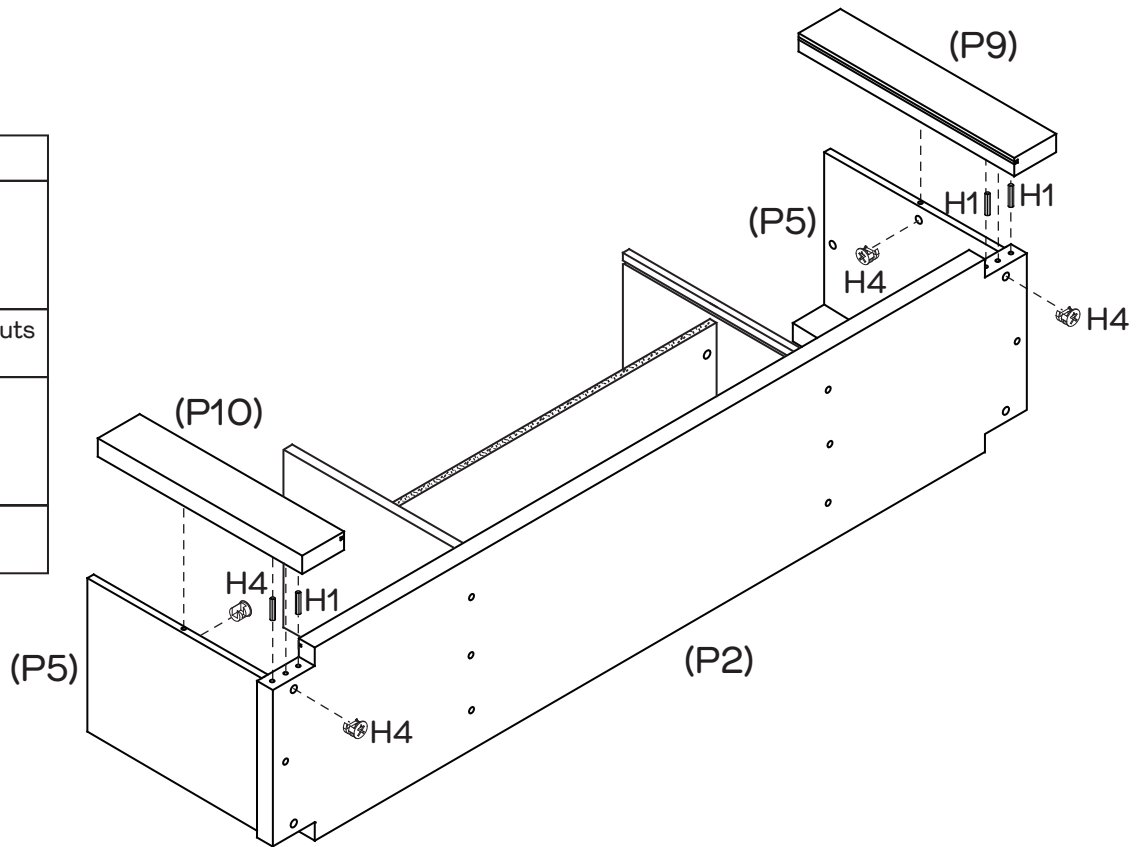
You will need	
	
4 x Small Dowels (H2)	4 x Inside Hexagonal Bolts (H18)
	
1 x Allen Key (H19)	



Insert 4 x Small Dowels (H2) into the holes of Bottom Panel (P2).
Attach Dividers (P3, P4) to Bottom Panel (P2) with
4 x Inside Hexagonal Bolts (H18) using an Allen Key (H19).

Step 7

You will need	
	
4 x Dowels (H1)	4 x Cam Nuts (H4)
	
Phillips Head Screwdriver	



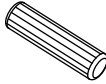


Insert 4 x Dowels (H1) into the holes of Bottom Panel (P2).

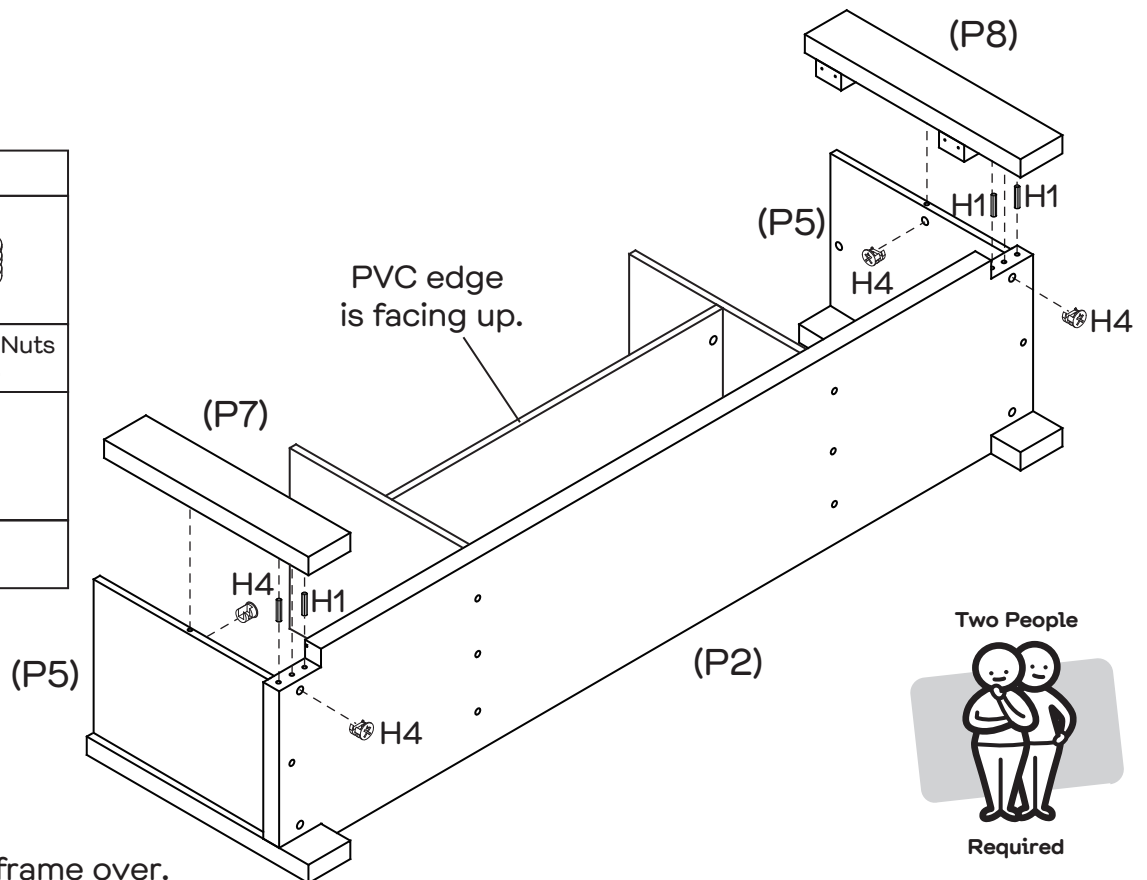
Insert 4 x Cam Nuts (H4) into the holes of Bottom Panel (P2) and Side Panels (P5).

Rotate the cam nuts so the arrows point towards the incoming cam bolts.

Attach Legs (P9, P10) into place, then tighten the cam nuts using Phillips head screwdriver

Step 8

You will need	
	
4 x Dowels (H1)	4 x Cam Nuts (H4)
	
Phillips Head Screwdriver	



Carefully turn the frame over.

Insert 4 x Dowels (H1) into Bottom Panel (P2).

Insert 4 x Cam Nuts (H4) into the holes of Bottom Panel (P2) and Side Panels (P5).

Rotate the cam nuts so the arrows point towards the incoming cam bolts. Attach Legs (P7, P8) into place, then tighten the cam nuts using Phillips head screwdriver

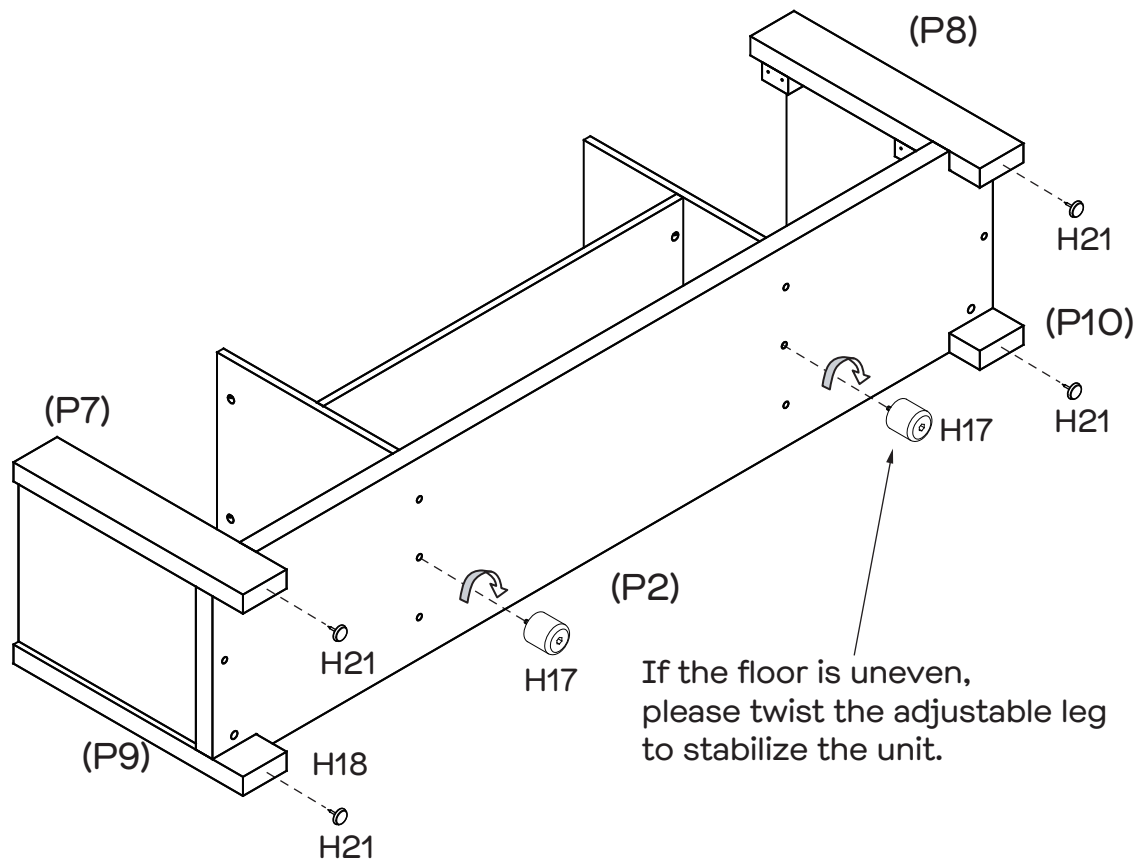
Two People



Required

Step 9

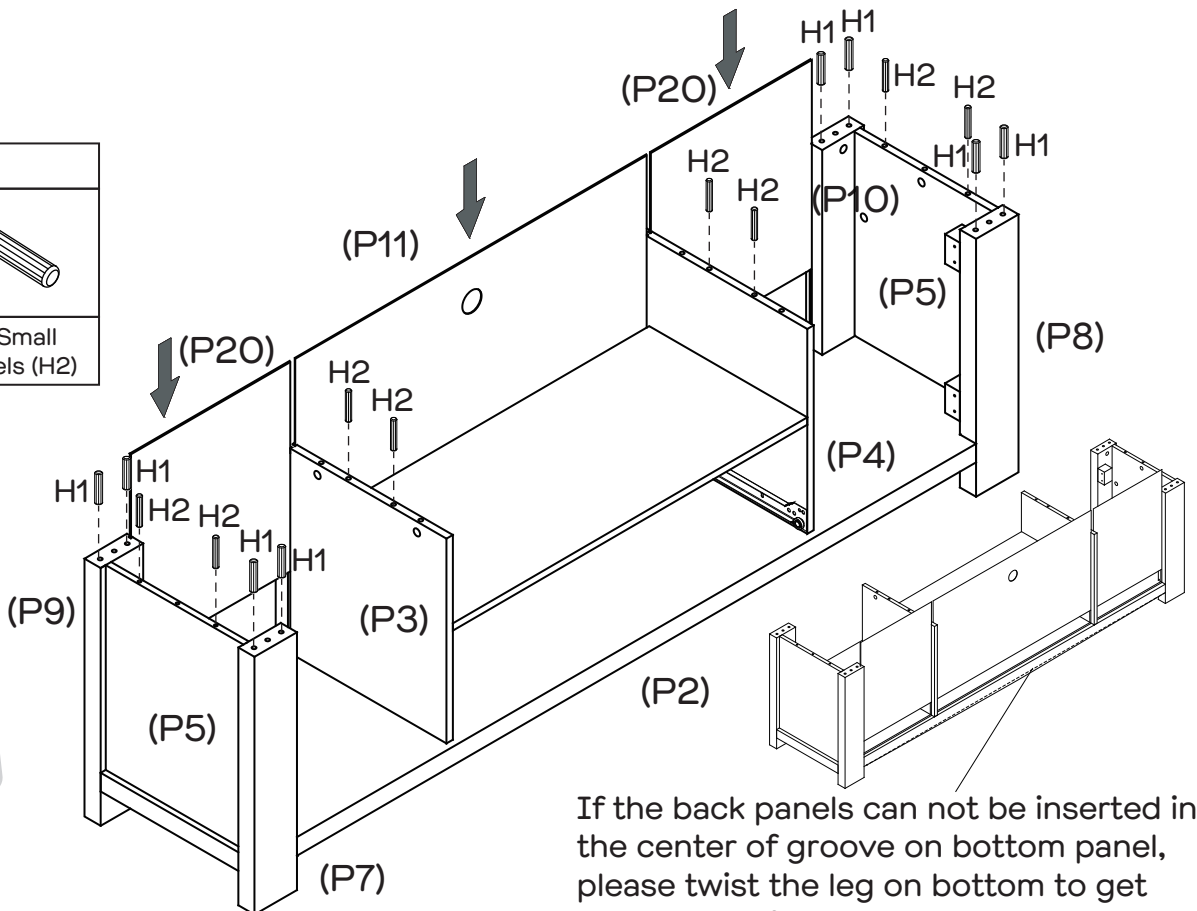
You will need	
2 x Adjustable Support Legs (H17)	4 x Plastic Glides (H21)
Hammer	



Twist 2 x Adjustable Support Legs (H17) to the bottom of Bottom Panel (P2) as shown. Hammer 4 x Plastic Glides (H21) on Legs (P7, P8, P9, P10).

Step 10

You will need	
8 x Dowels (H1)	8 x Small Dowels (H2)



Two People



Required

Carefully turn the frame over to an upright position.

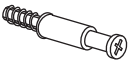

Slide Back Panels (P20) into the grooves in Legs (P9, P10) and Dividers (P3, P4).

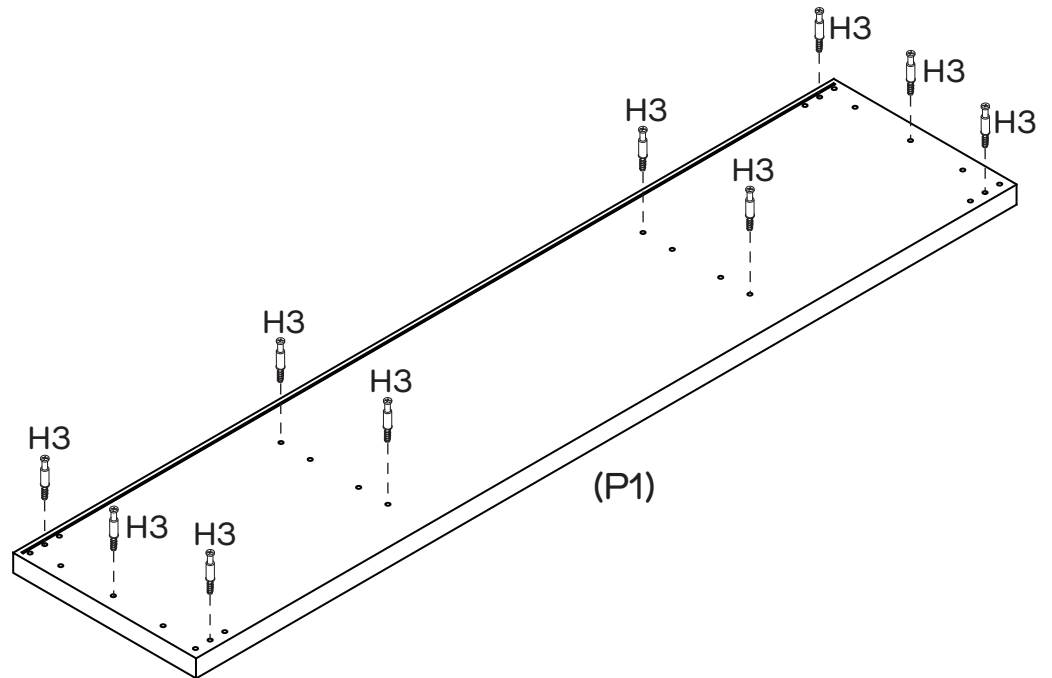
Slide Back Panel (P11) into the grooves in Divider (P3) and Divider (P4).

Insert 8 x Dowels (H1) into Legs (P7, P8, P9, P10).

Insert 8 x Small Dowels (H2) into Dividers (P3, P4) and Side Panels (P5) as shown.



Step 11

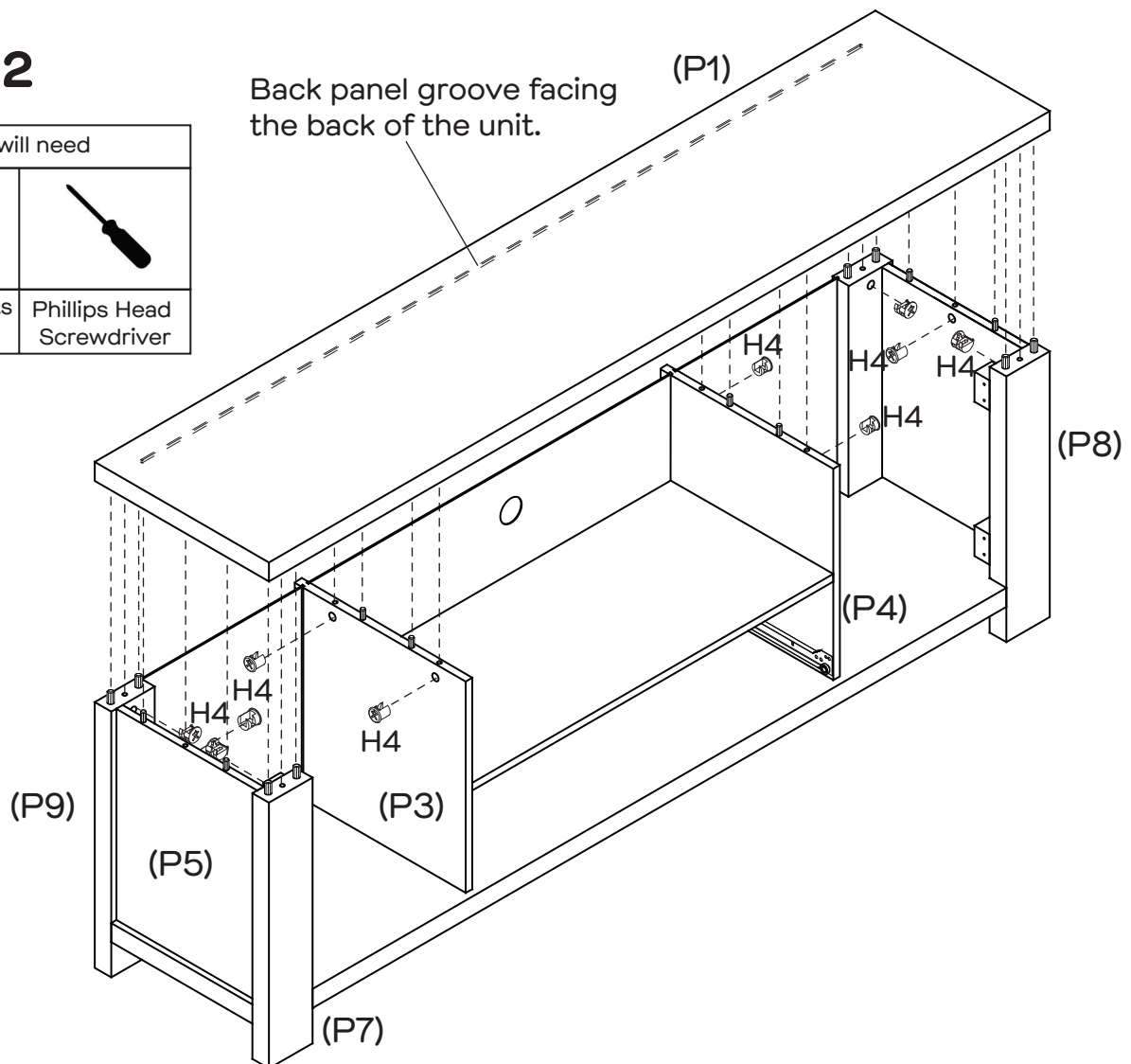
You will need	
	
10 x Cam Bolts (H3)	Phillips Head Screwdriver



Attach 10 x Cam Bolts (H3) into Top Panel (P1) using a Phillips head screwdriver

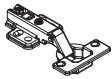

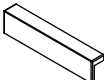
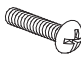

Step 12

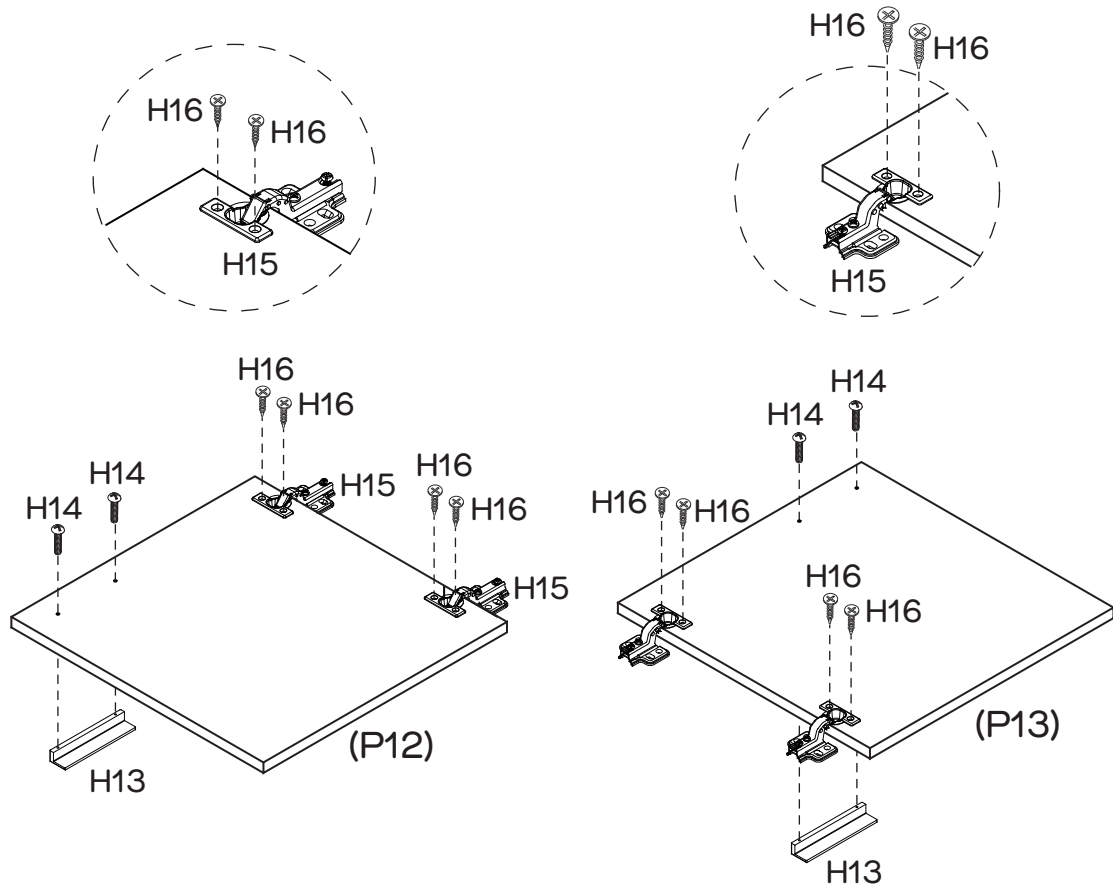
You will need	
	
10 x Cam Nuts (H4)	Phillips Head Screwdriver



Insert 10 x Cam Nuts (H4) into the holes of Dividers (P3, P4), Side Panels (P5) and Legs (P7, P8, P9, P10). Rotate the cam nuts so the arrows point towards the incoming cam bolts. Attach Top Panel (P1) to the frame and then tighten the cam nuts.




Step 13

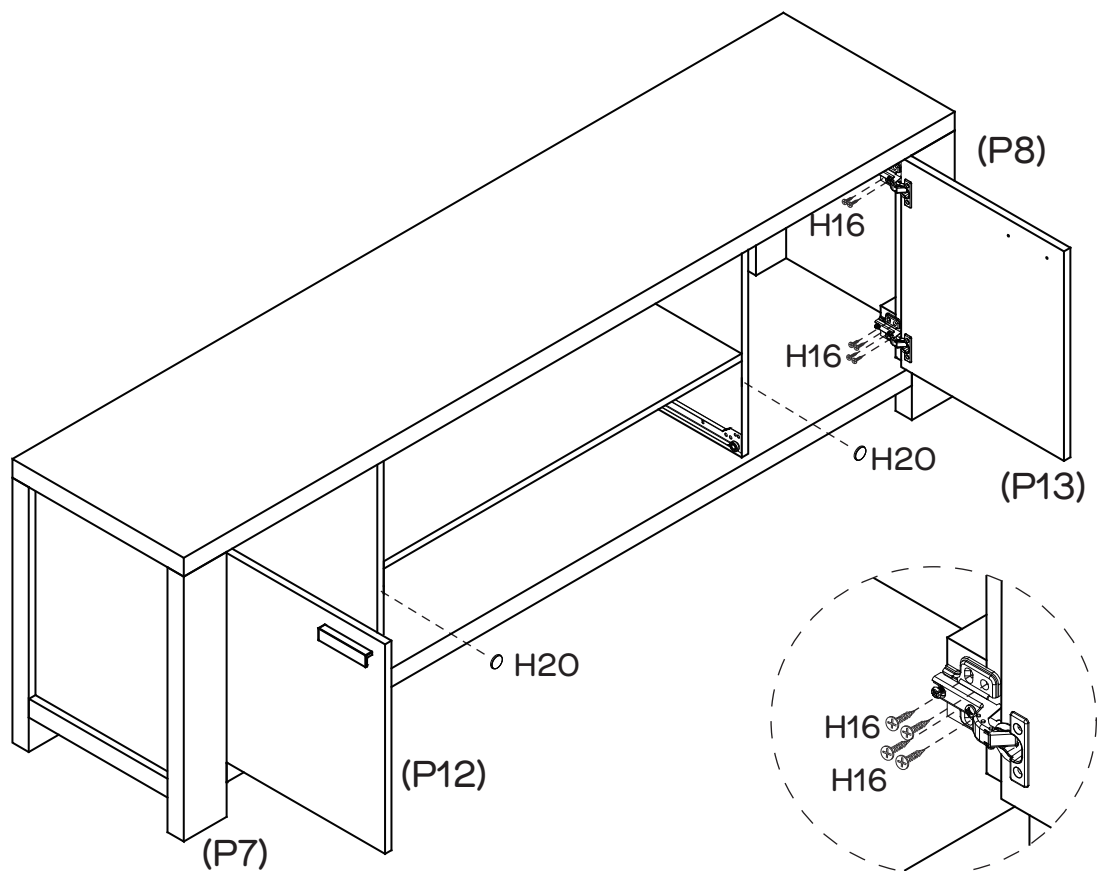
You will need	
	
4 x Hinges (H15)	8 x Timber Screws (H16)
	
2 x Handles (H13)	4 x Round Head Bolts (H14)
	
Phillips Head Screwdriver	



Attach 4 x Hinges (H15) to Doors (P12, P13) with 8 x Timber Screws (H16).
 Attach 2 x Handles (H13) to Doors (P12, P13) with 4 x Round Head Bolts (H14).
 Tighten Screws and Bolts using a Phillips head screwdriver.

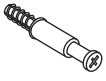

Step 14

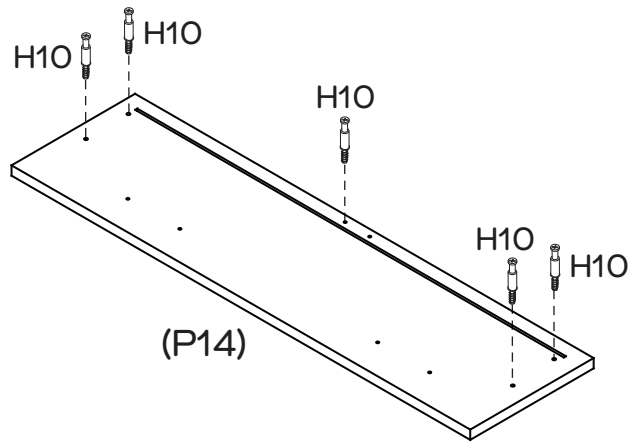
You will need	
	
16 x Timber Screws (H16)	2 x Rubber Stickers (H20)
	
Phillips Head Screwdriver	



Attach Left Door (P12) to LF Leg (P7) and Right Door (P13) to RF Leg (P8) with 16 x Timber Screws (H16) using a Phillips head screwdriver.
 Stick 2 x Rubber Stickers (H20) to Dividers (P3, P4) as shown.

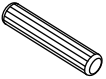


Step 15

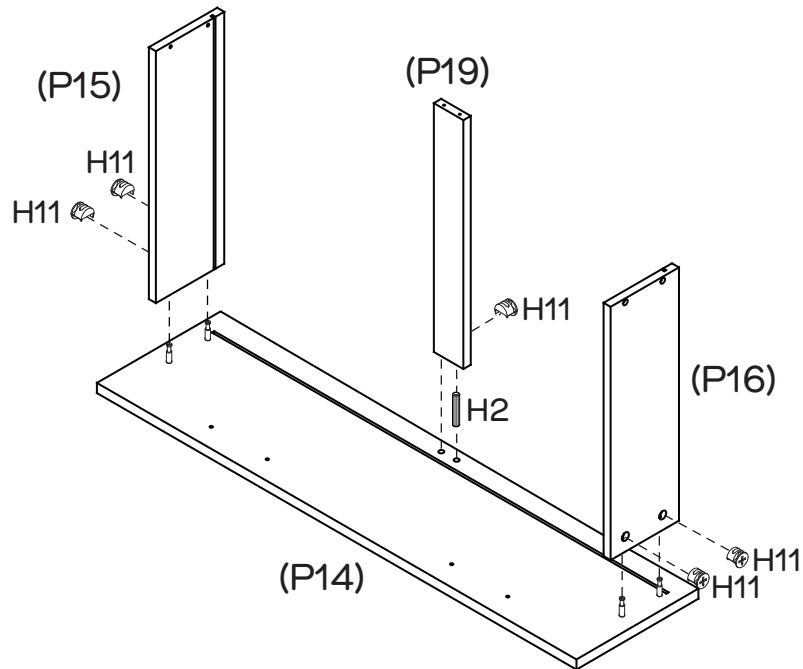
You will need	
	
5 x Small Cam Bolts (H10)	Phillips Head Screwdriver



Screw 5 x Small Cam Bolts (H10) into Drawer Front (P14) with a Phillips head screwdriver.

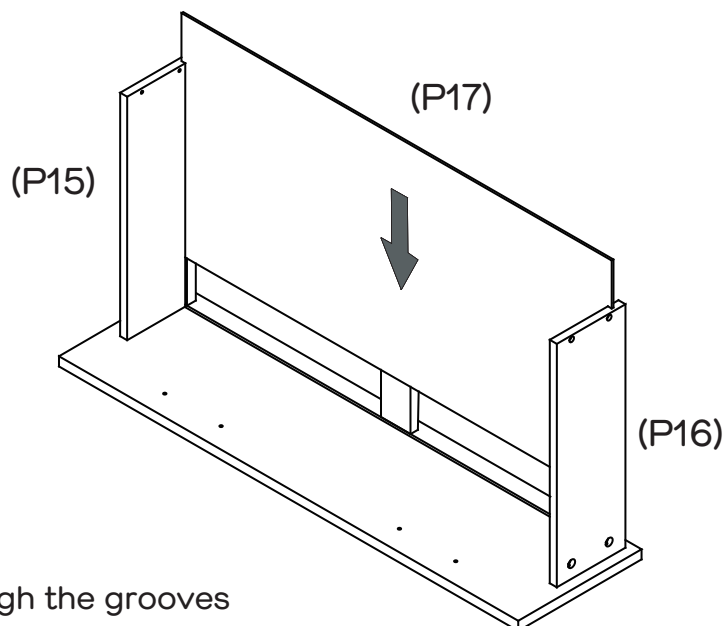
Step 16

You will need	
	
1 x Small Dowel (H2)	5 x Small Cam Nuts (H11)
	
Phillips Head Screwdriver	





Insert 1 x Small Dowel (H2) into Drawer Front (P14) as shown. Insert 5 x Small Cam Nuts (H11) into the holes of Drawer Sides (P15, P16) and Drawer Support (P19). Rotate the cam nuts so the arrows point towards the incoming cam bolts. Align the holes together, secure Drawer Sides (P15, P16) and Drawer Support (P19) into place, tighten the cam nuts using a Phillips head screwdriver.

Step 17

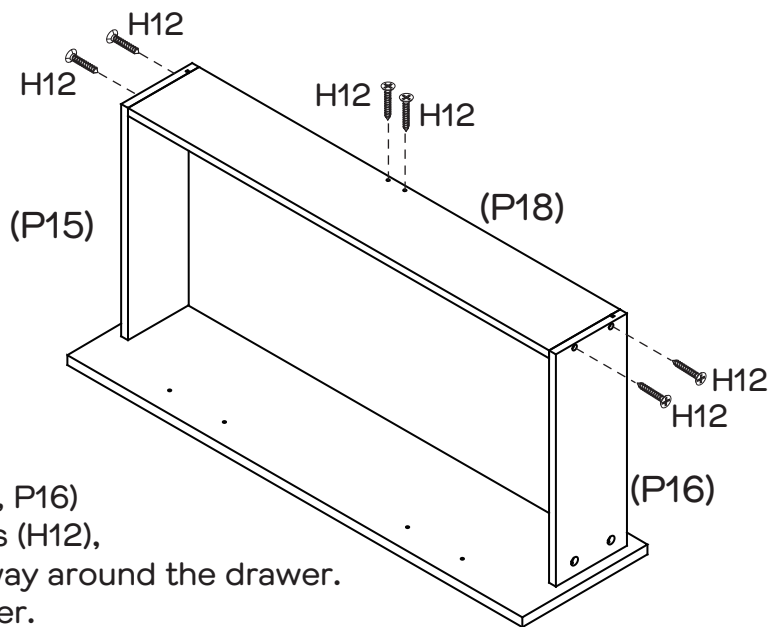


Slide Drawer Base (P17) in through the grooves on Drawer Sides (P15, P16).

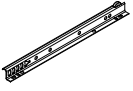
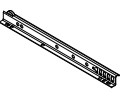


Step 18

You will need	
	
6 x Long Screws (H12)	Phillips Head Screwdriver

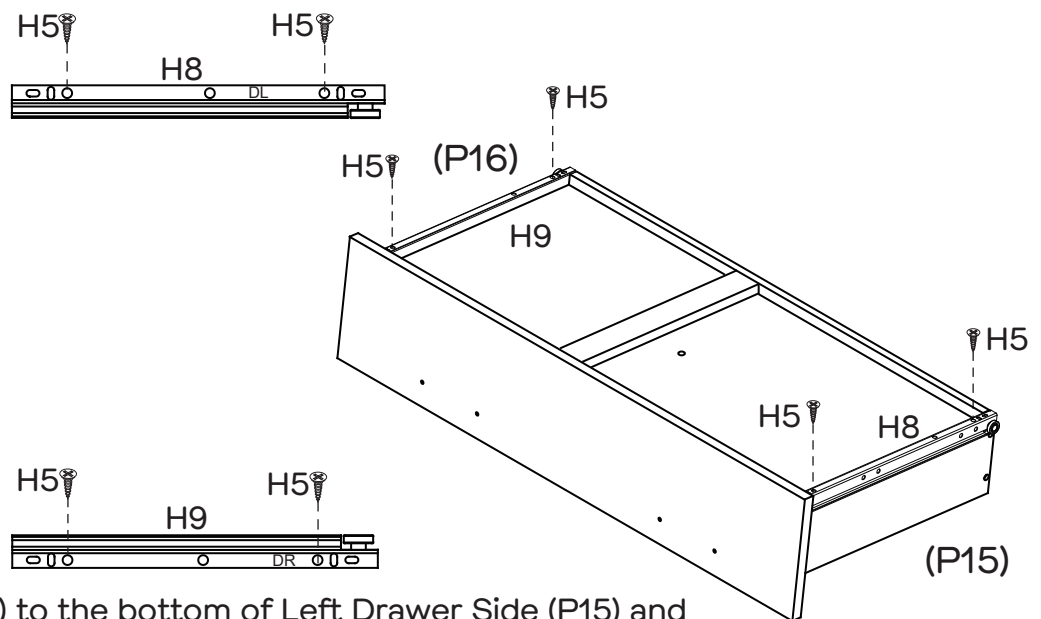
Attach Drawer Back (P18) to Drawer Sides (P15, P16) and Drawer Support (P19) with 6 x Long Screws (H12), make sure that the groove lines up the whole way around the drawer. Tighten Screws using a Phillips head screwdriver.



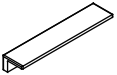
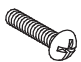

Step 19

You will need	
	
1 x DL Runner (H8)	1 x DR Runner (H9)
	
4 x Small Screws (H5)	Phillips Head Screwdriver

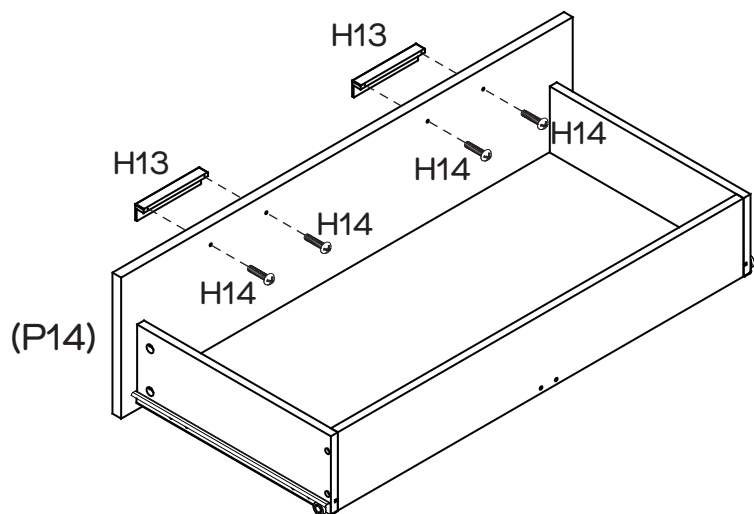
Attach 1 x DL Runner (H8) to the bottom of Left Drawer Side (P15) and 1 x DR Runner (H9) to the bottom of Right Drawer Side (P16) with 4 x Small Screws (H5). Tighten Screws using a Phillips head screwdriver.



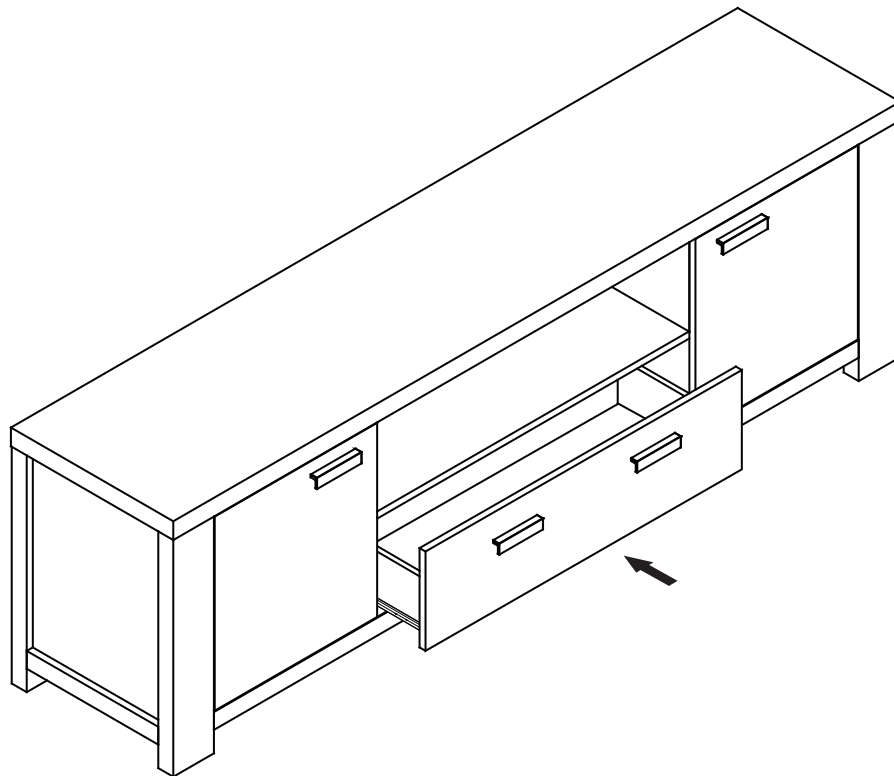
Step 20

You will need	
	
2 x Handles (H13)	4 x Round Head Bolts (H14)
	
Phillips Head Screwdriver	

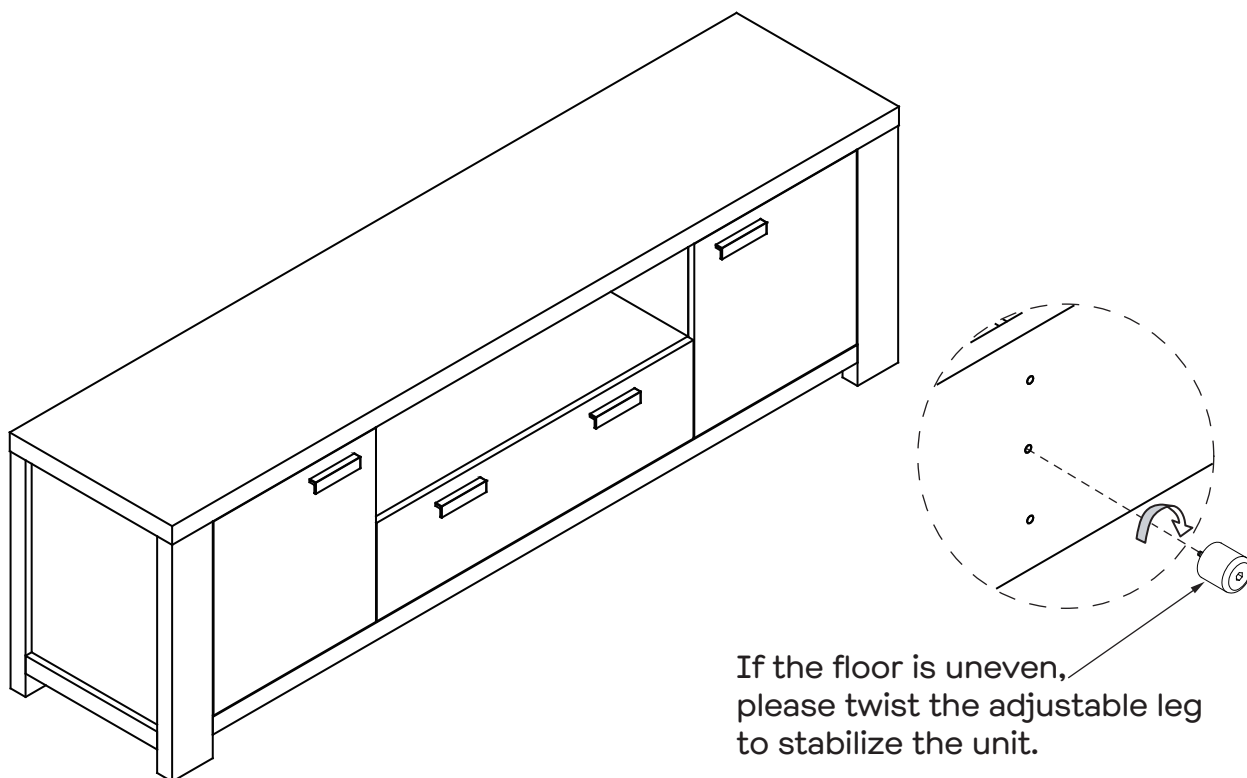
Attach 2 x Handles (H13) to Drawer Front (P14) with 4 x Round Head Bolts (H14). Tighten round head bolts using a Phillips head screwdriver.



Step 21



Slide the drawer into the cabinet.



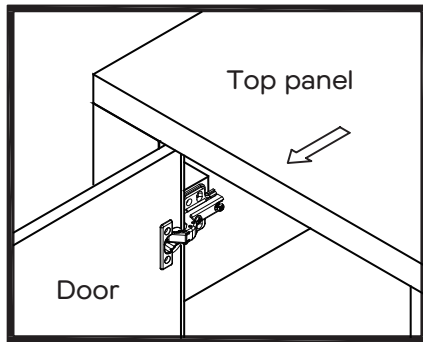
Job Complete!

In the interest of our environment please dispose of all packaging thoughtfully.

TO ADJUST YOUR DOORS TO MAKE THE GAPS MORE EVEN

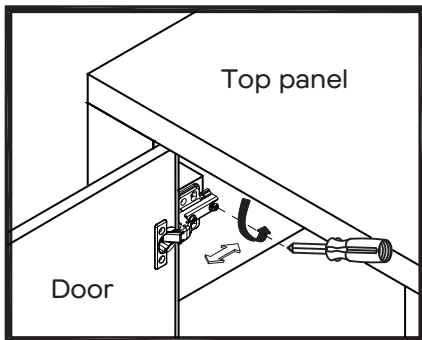
STEP 1

Open the door.



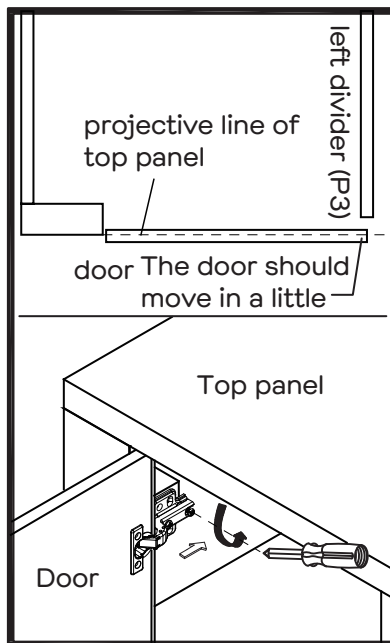
STEP 2

Adjust the door move in or out a little



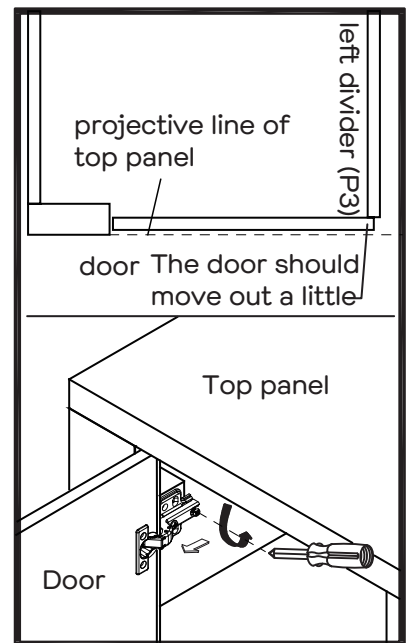
Loosen the screw indicated a little, adjust the hinge to right position (see step 2a & 2b), then tighten screw.

STEP 2a MOVE DOOR IN



Push the hinge back a little.

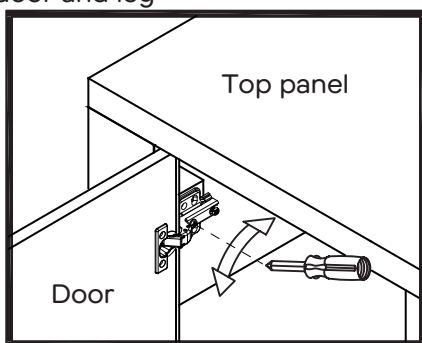
STEP 2b MOVE DOOR OUT



Pull the hinge forward a little.

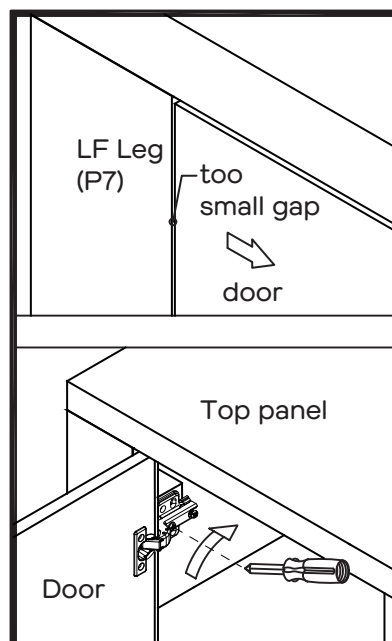
STEP 3

To adjust the gap between door and leg



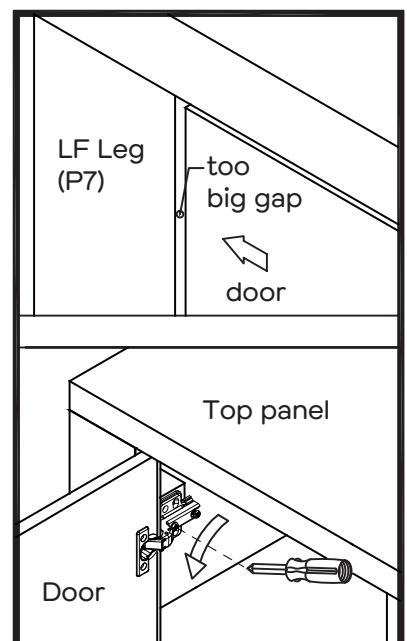
Loosen or tighten the screw indicated a little to adjust the gap between door and leg (see step 3a & step 3b)

STEP 3a MOVE DOOR RIGHT



Turn the screw clockwise a little as shown to make the gap big.

STEP 3b MOVE DOOR LEFT



Turn the screw counterclockwise a little as shown to make the gap small.