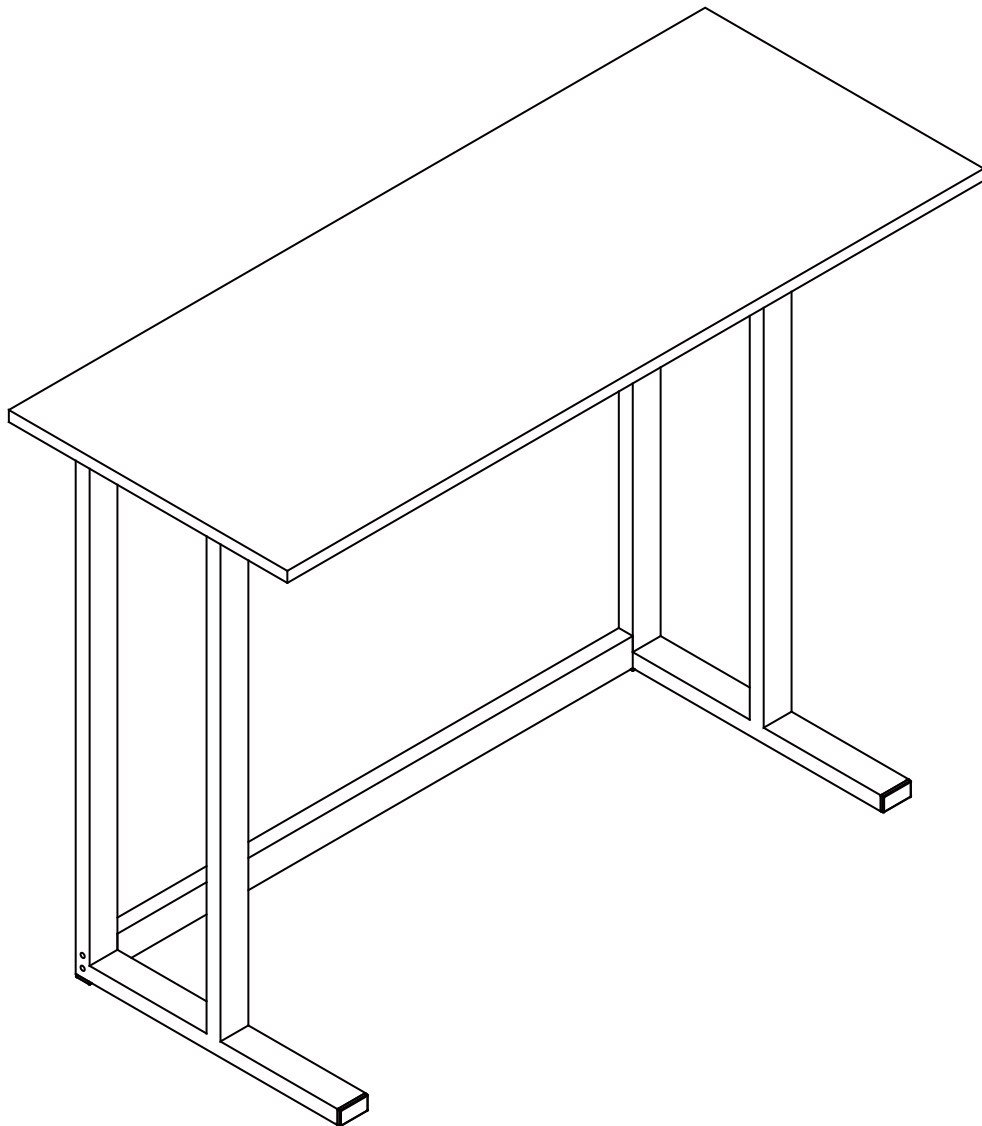




Version 1.0



ADAPT

Laptop Desk

www.fantasticfurniture.com.au

Enjoy

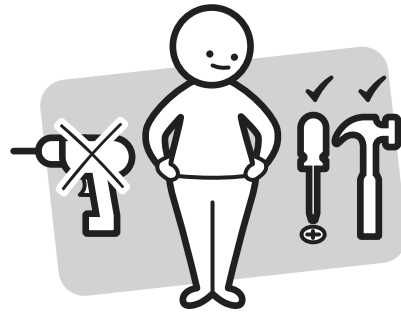
Your purchase from
Australia's Best Value Furniture Store



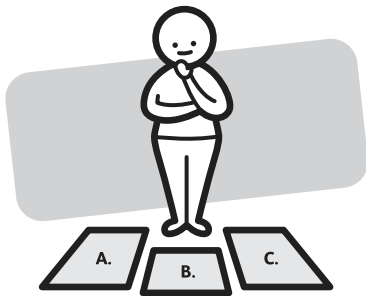
Assembly checklist



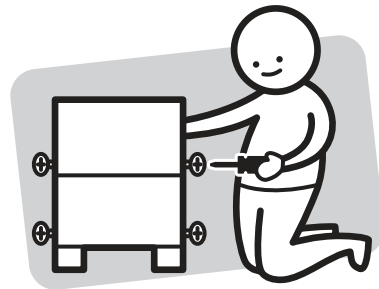
Read through the instructions carefully before you begin.



Make sure you have all the required tools. Never use power tools unless instructed.



Identify and lay out all of the components before you begin assembly.



Unless instructed, do not fully tighten screws until the item is fully assembled.

Useful Information

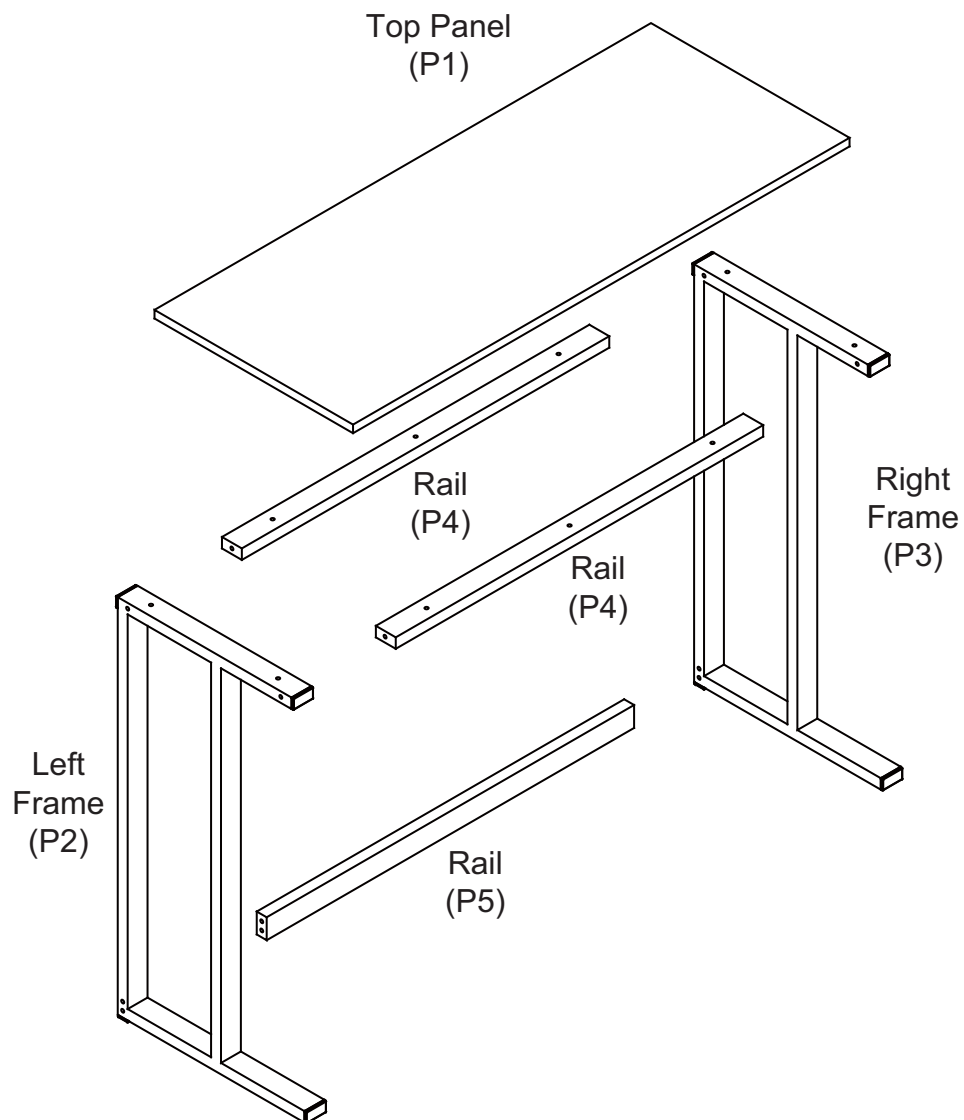
- ! Never use power tools unless specifically instructed. They can damage your components or hardware if used incorrectly.
- ! The most common mistakes made during assembly are using the wrong hardware or getting components back to front.
- ! Always use a soft surface (such as carpet or cardboard) when assembling your product to avoid scratching or damaging the surface of the product.
- ! Bulky items such as wardrobes and bunk beds should be assembled in the room they will be used in as they may not fit through a door once assembled.
- ! Never use any glue until you are certain that the parts belong together.
- ! Periodically check and re-tighten all fasteners. Check the product care label or website for product care instructions.
- ! If you are having any difficulties assembling your product, missing any hardware or components please visit our website Help Centre for further assistance.

What you need

to assemble the product



DO NOT USE



Parts list

Box 1: Top Panel (P1);
Left Frame (P2);
Right Frame (P3);
2 x Rails (P4);
Rail (P5);

Hardware



8 x Long Bolts
(H1)



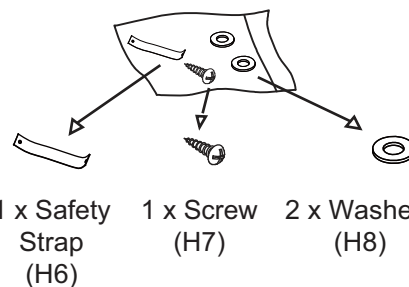
10 x Bolts
(H2)



18 x Washers
(H3)



1 x Allen Key
(H4)






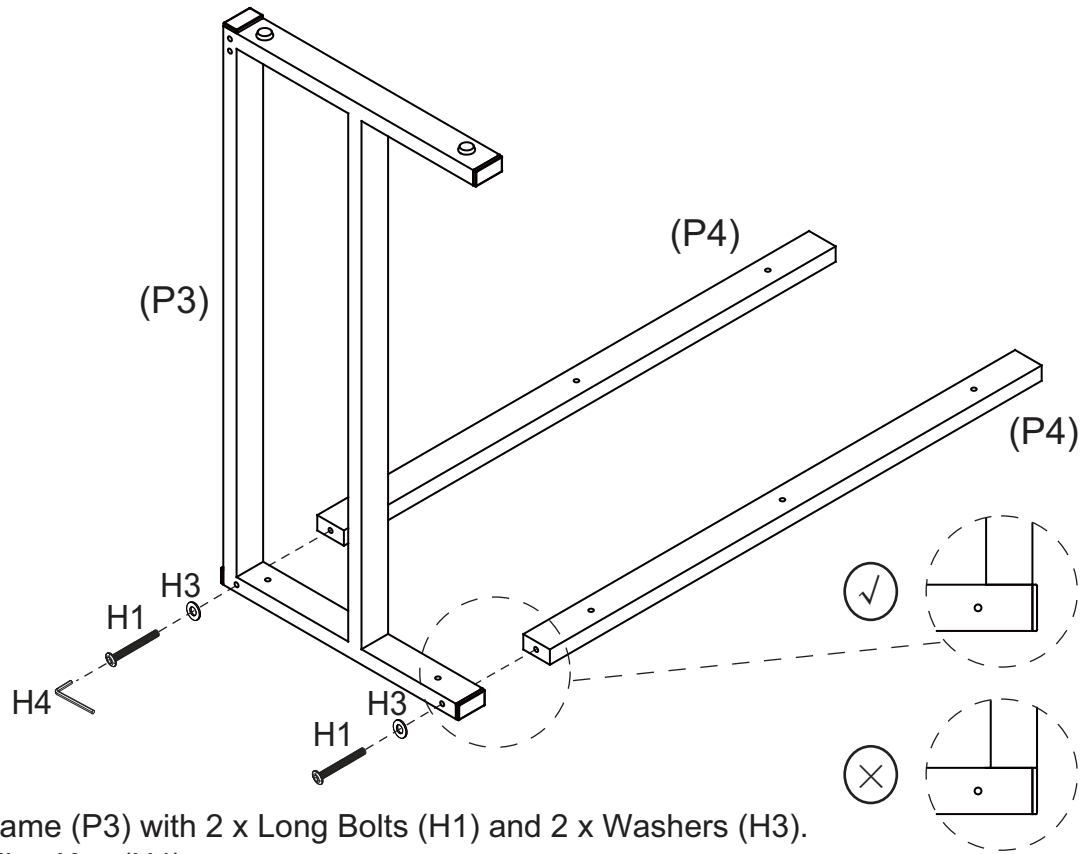
1 x Safety
Strap
(H6)

1 x Screw
(H7)

2 x Washers
(H8)




Step 1

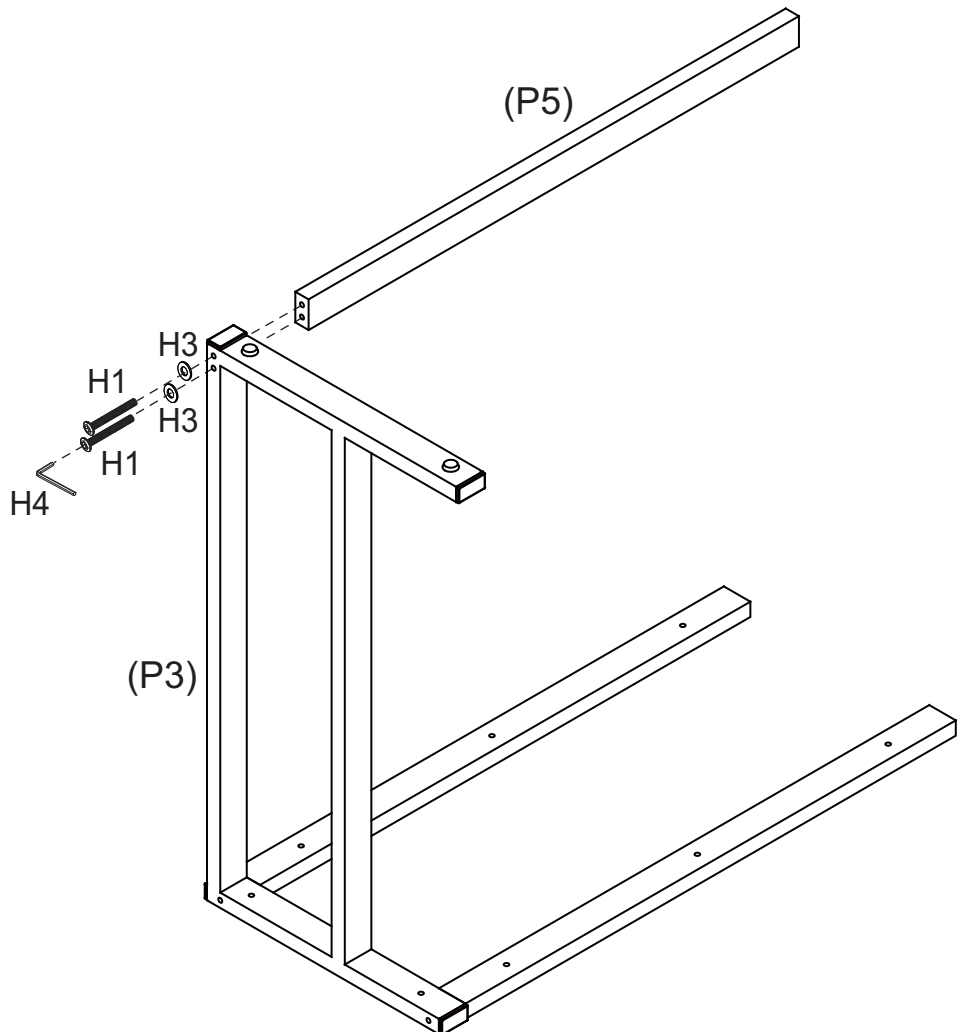
You will need	
	
2 x Long Bolts (H1)	2 x Washers (H3)
	
1 x Allen Key (H4)	



Attach Rails (P4) to Right Frame (P3) with 2 x Long Bolts (H1) and 2 x Washers (H3). Tighten the bolts using an Allen Key (H4). Do not fully tighten the bolts, leave a little loose at this stage.




Step 2

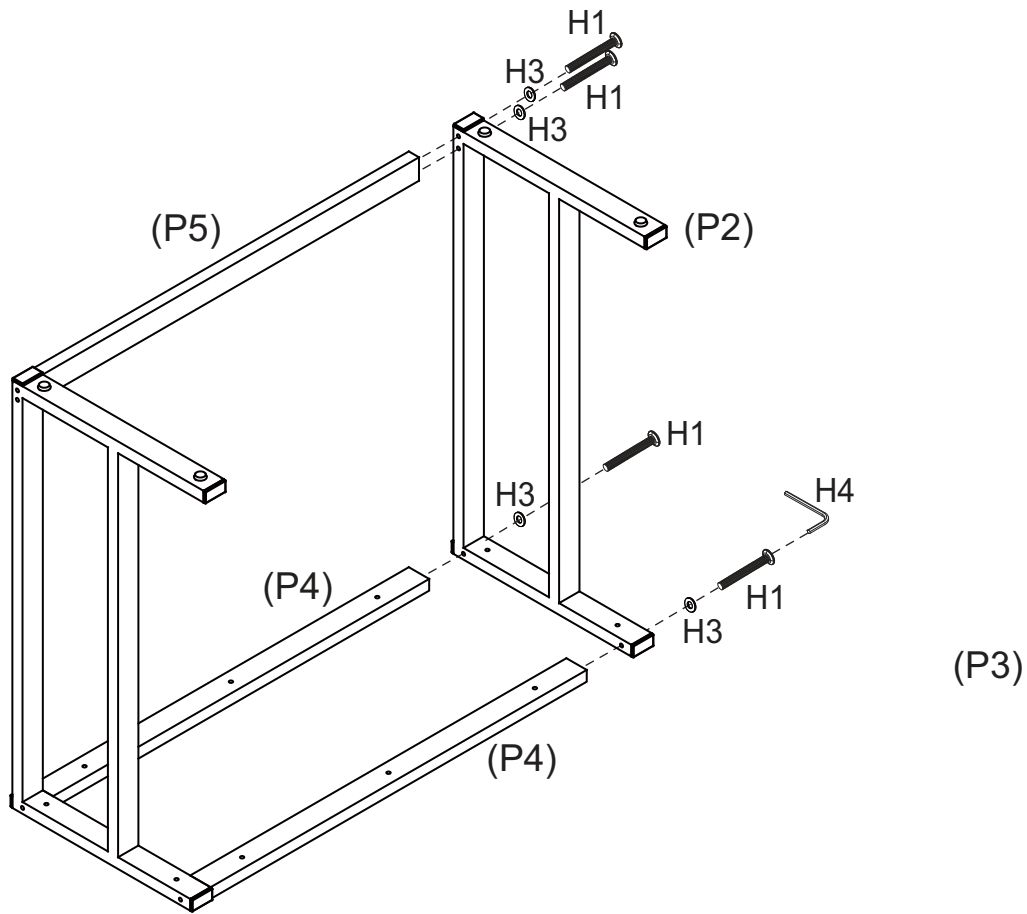
You will need	
	
2 x Long Bolts (H1)	2 x Washers (H3)
	
1 x Allen Key (H4)	



Attach Rail (P5) to Right Frame (P3) with 2 x Long Bolts (H1) and 2 x Washers (H3). Tighten the bolts using an Allen Key (H4). Do not fully tighten the bolts, leave a little loose at this stage.




Step 3

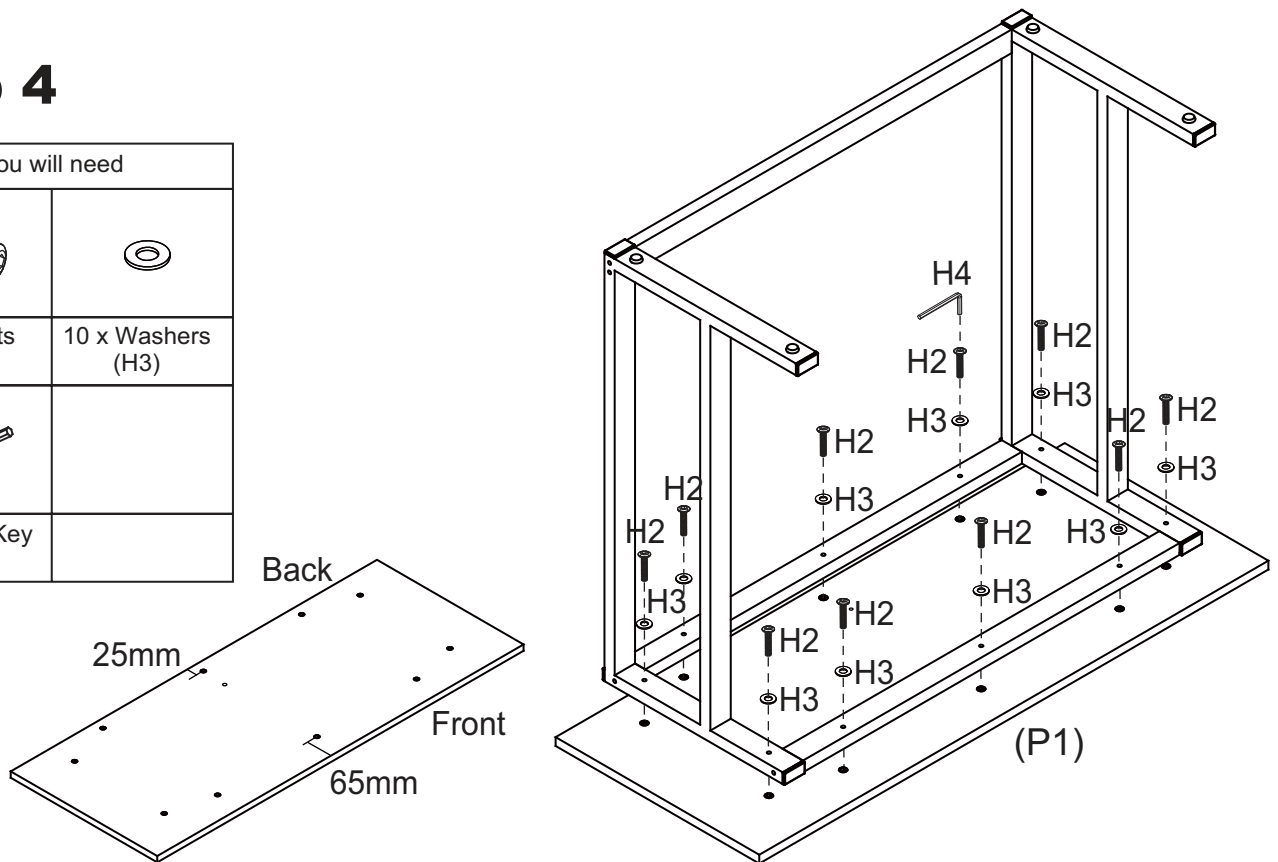
You will need	
	
4 x Long Bolts (H1)	4 x Washers (H3)
	
1 x Allen Key (H4)	



Attach Left Frame (P2) to Rails (P4, P5) with 4 x Long Bolts (H1) and 4 x Washers (H3). Tighten the bolts using an Allen Key (H4). Do not fully tighten the bolts, leave a little loose at this stage.

Step 4


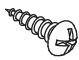


You will need	
	
10 x Bolts (H2)	10 x Washers (H3)
	
1 x Allen Key (H4)	

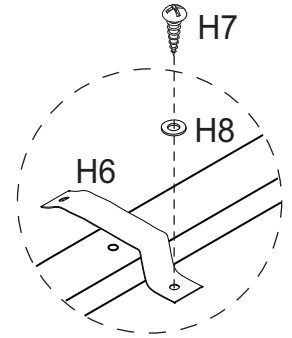
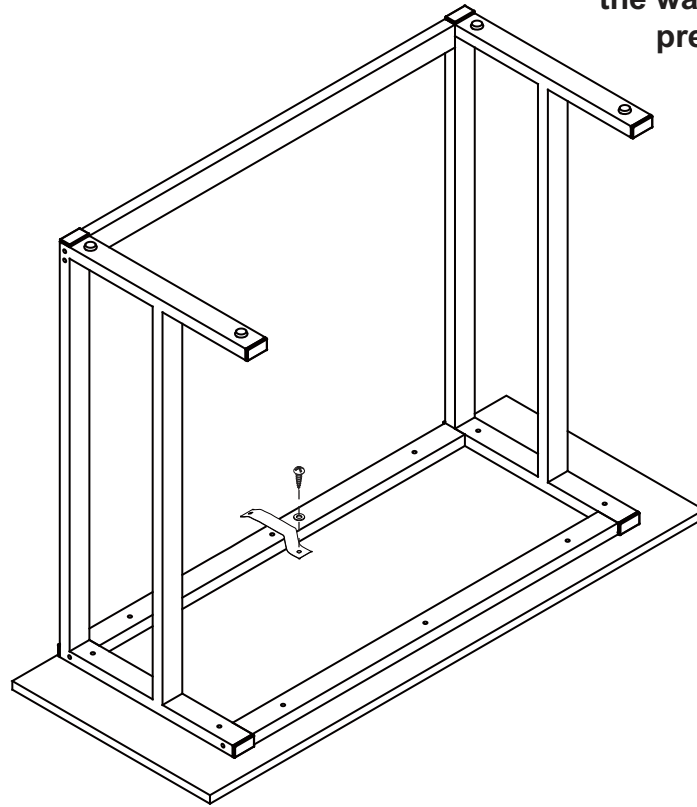


Put Top Panel (P1) on a soft flat surface as shown. Attach the frame to Top Panel (P1) with 10 x Bolts (H2) and 10 x Washers (H3) using an Allen Key (H4). Check and tighten all bolts.

Step 5

We strongly advise that you use the wall safety strap provided to prevent the unit toppling



You will need	
	
1 x Safety Strap (H6)	1 x Screw (H7)
	
1 x Washer (H8)	Phillips head screwdriver

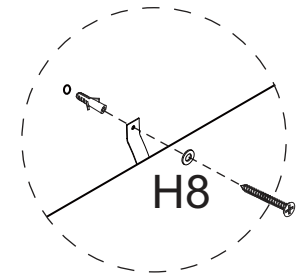
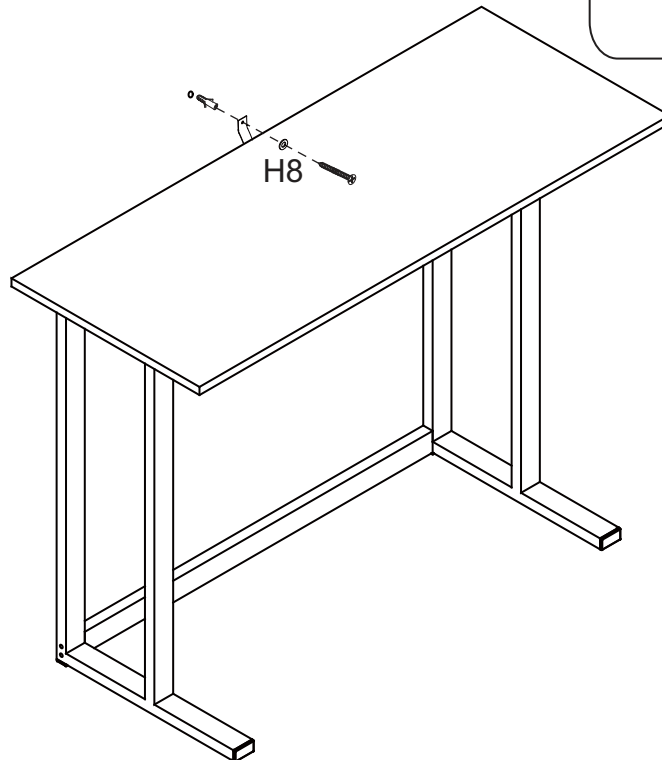


Use Screw (H7) and Washer (H8) to attach Safety Strap (H6) securely on the bottom of Top Panel (P1) as shown.

Step 6

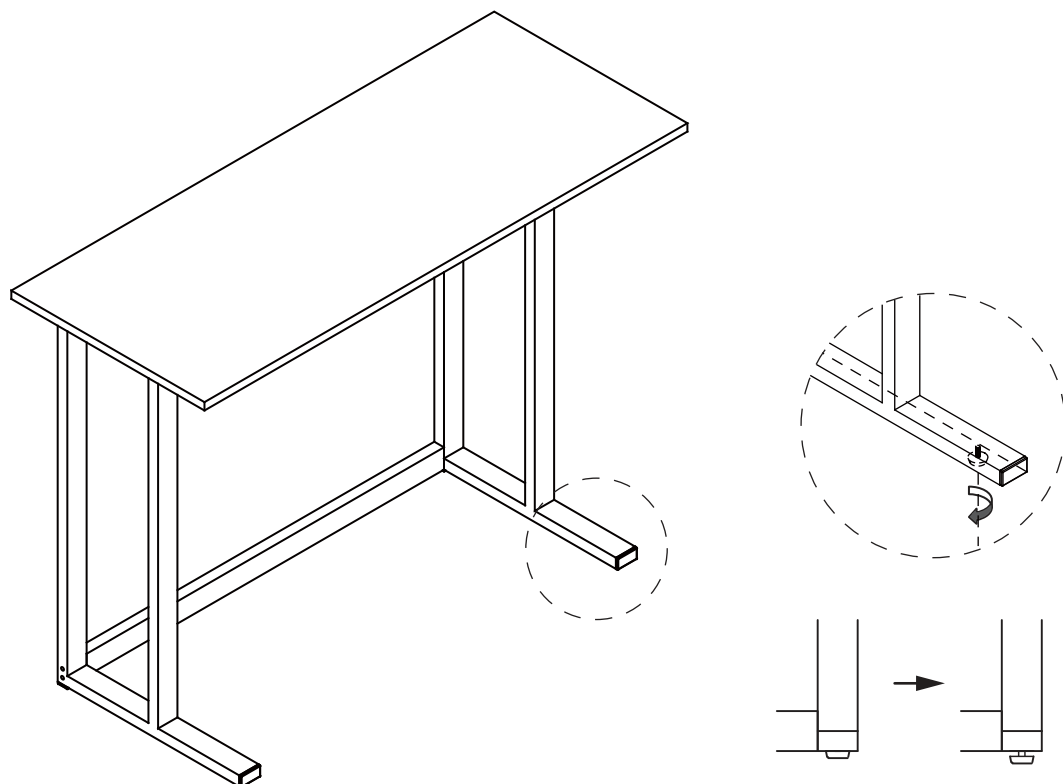
Seek advice from a qualified trades person on how to attach this safety strap to your specific wall.

You will need	
	
1 x Washer (H8)	Phillips head screwdriver
Screw and Wall Plug which are not provided. Please use appropriate fixtures for your wall.	



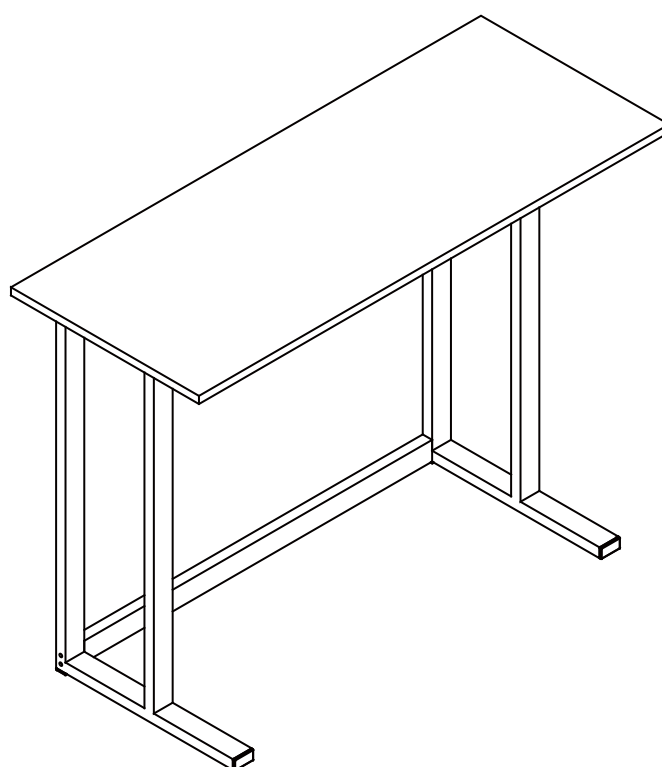
Move the desk to the final position, and attach the safety strap to the wall securely. Make sure it is firmly attached and snug fit.

Step 7



Gentle advise:

If the floor is uneven, please twist the adjustable feet to stabilize the table.



Recommended weight capacity : 50KG.

Job Complete!

In the interest of our environment please dispose of all packaging thoughtfully.