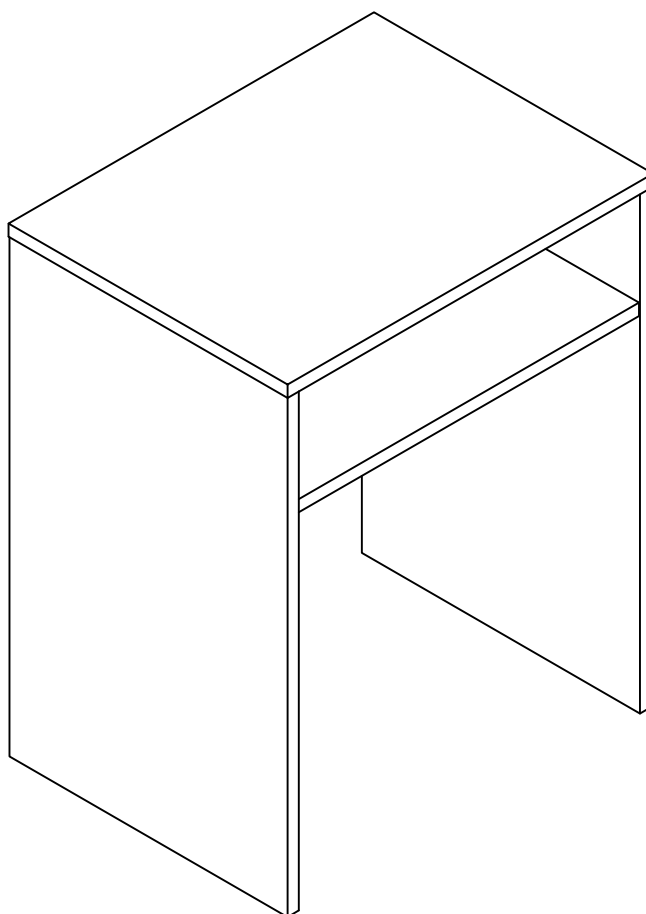




Version 1.0



Recommended weight capacity : 35 KG On Top.

BUZZ

BEDSIDE 1 SHELF

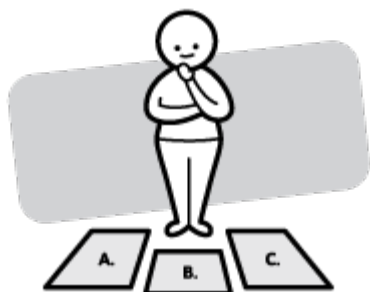
Assembly checklist



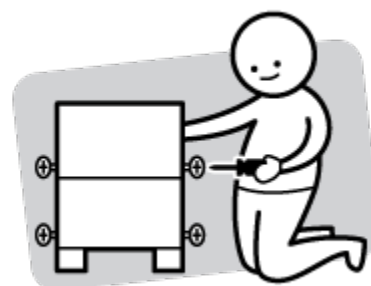
Read through the instructions carefully before you begin.



Make sure you have all the required tools. Never use power tools unless instructed.



Identify and lay out all of the components before you begin assembly.



Unless instructed, do not fully tighten screws until the item is fully assembled.

Useful Information

- ! Never use power tools unless specifically instructed. They can damage your components or hardware if used incorrectly.
- ! The most common mistakes made during assembly are using the wrong hardware or getting components back to front.
- ! Always use a soft surface (such as carpet or cardboard) when assembling your product to avoid scratching or damaging the surface of the product.
- ! Bulky items such as wardrobes and bunk beds should be assembled in the room they will be used in as they may not fit through a door once assembled.
- ! Never use any glue until you are certain that the parts belong together.
- ! Periodically check and re-tighten all fasteners. Check the product care label or website for product care instructions.
- ! If you are having any difficulties assembling your product, missing any hardware or components please visit our website Help Centre for further assistance.

What you need

to assemble the product



Other tools you need

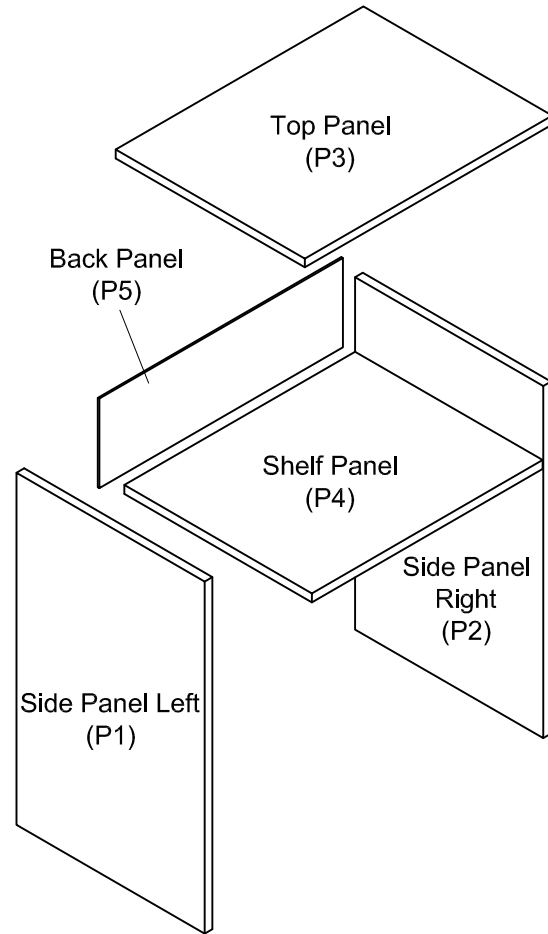
Phillips head screwdriver.
Hammer.

Parts list

Box 1: Side Panel Left (P1); Side Panel Right (P2);
Top Panel (P3); Shelf Panel (P4); Back Panel (P5).

Hardware list:

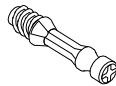
Screws #9 x 38mm (H1); Wood Dowels M6 x 25mm (H2);
Cam Bolts (H3); Cam Nuts (H4); Nails (H5); Leg Studs (H6);
Stickers (H7).



4 x Screws
#9 x 38mm
(H1)



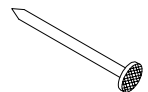
8 x Wood Dowels
M6 x 25mm
(H2)



4 x Cam Bolts
(H3)



4 x Cam Nuts
(H4)



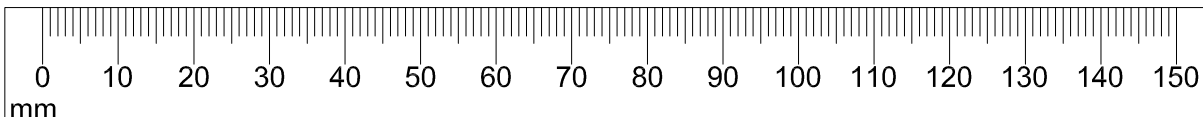
10 x Nails
(H5)



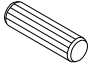

4 x Leg Studs
(H6)



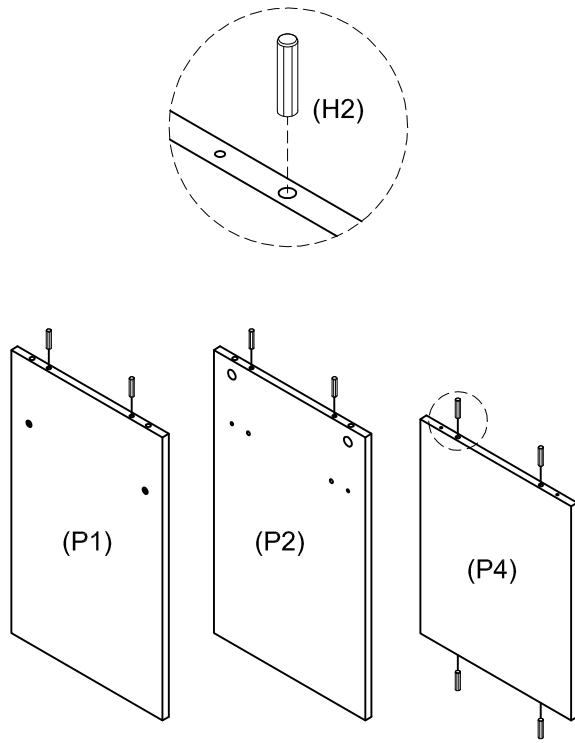
4 x Stickers
(H7)



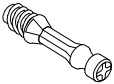

Step 1

You will need	
	
8 x Wood Dowels M6 x 25mm (H2)	Hammer

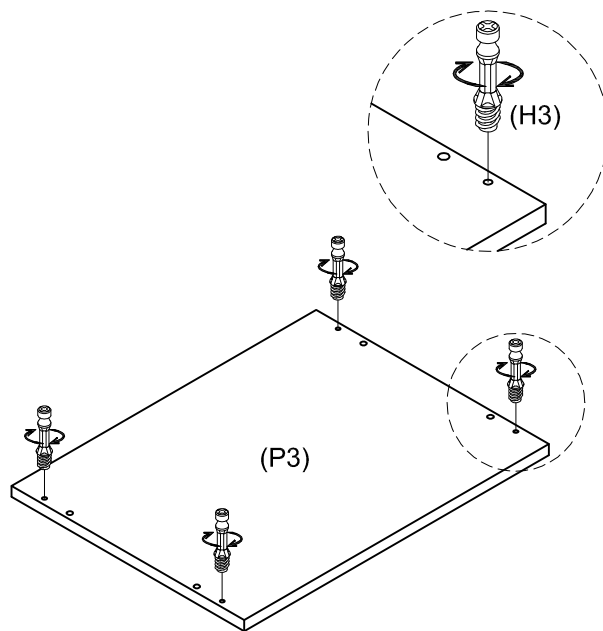
Insert 8 x Wood Dowels (H2) into Side Panel Left (P1), Side Panel Right (P2) and Shelf Panel (P4) using a Hammer.





Step 2

You will need	
	
4 x Cam Bolts (H3)	Phillips Head Screwdriver

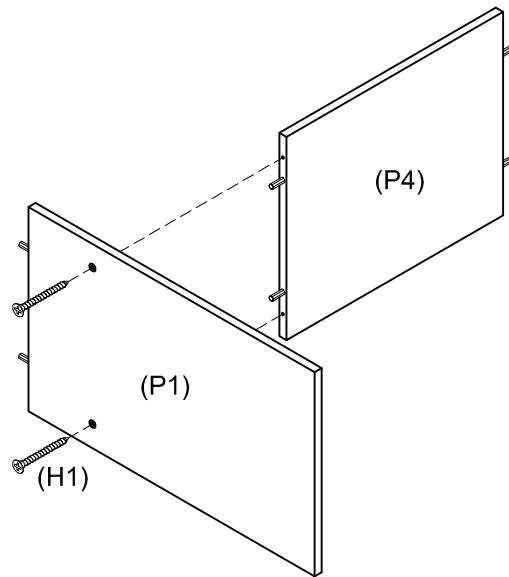
Fix 4 x Cam Bolts (H3) onto Top Panel (P3) using a Phillips Head Screwdriver.



Step 3

You will need	
	
2 x Screws #9 x 38mm (H1)	Phillips Head Screwdriver

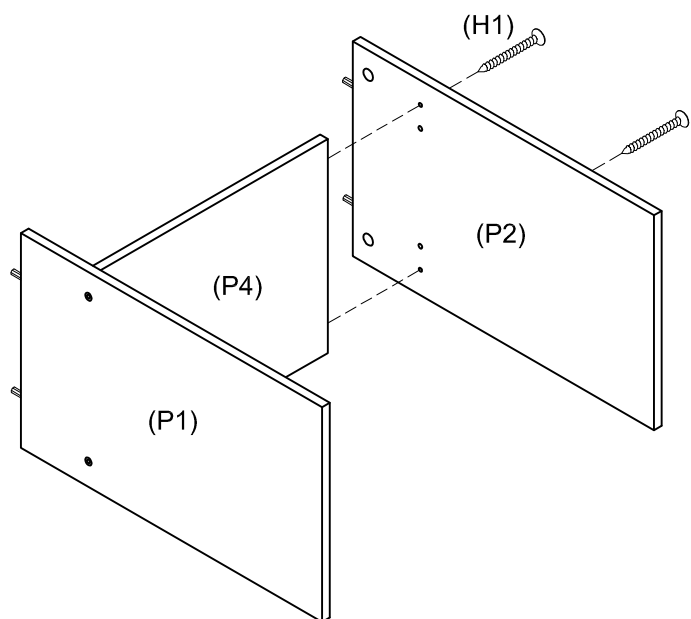
Attach Side Panel Left (P1) to Shelf Panel (P4) using 2 x Screws (H1) with a Phillips Head Screwdriver.



Step 4

You will need	
	
2 x Screws #9 x 38mm (H1)	Phillips Head Screwdriver

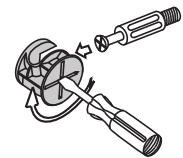
Attach Side Panel Right (P2) to Shelf Panel (P4) using 2 x Screws (H1) with a Phillips Head Screwdriver.



Step 5

You will need	
	
4 x Cam Nuts (H4)	Phillips Head Screwdriver

This is how a cam nut works.....

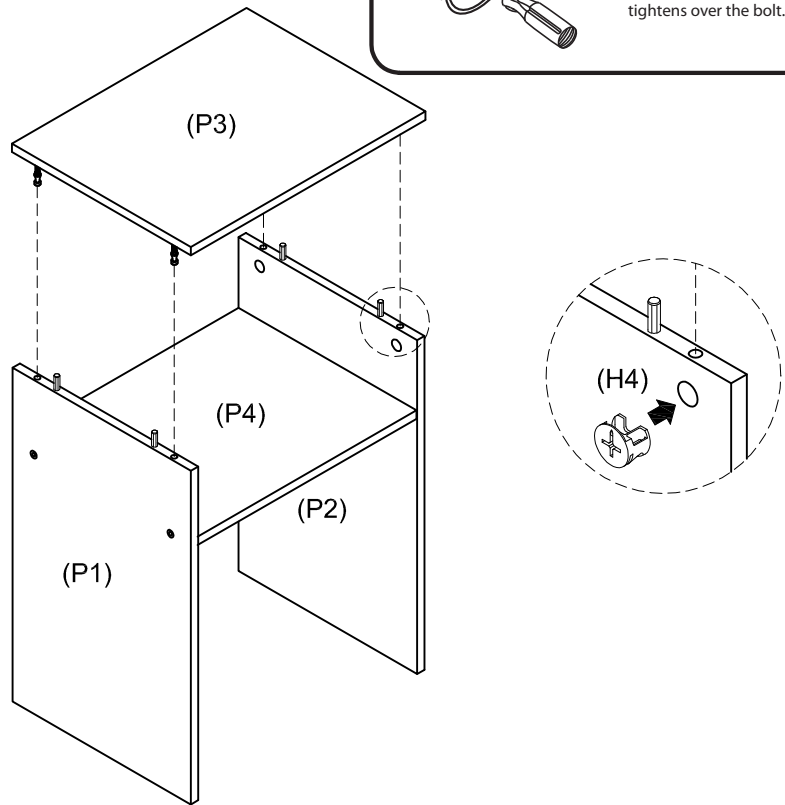


The head of the cam bolt goes into the open mouth of the cam nut. You then turn the cam nut so it tightens over the bolt.

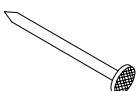


Attach Top Panel (P3) onto Side Panel Left (P1) and Side Panel Right (P2).

Insert 4 x Cam Nuts (H4) into Side Panel Left (P1) and Side Panel Right (P2).

Turn the Cam Nuts clockwise with a Phillips Head Screwdriver.

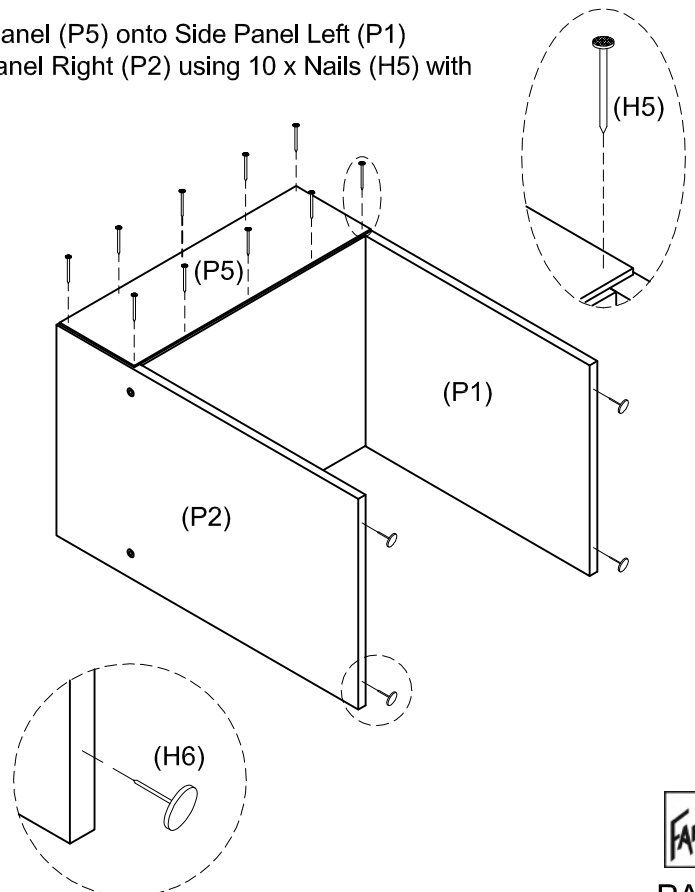


Step 6

You will need	
	
10 x Nails (H5)	4 x Leg Studs (H6)
	
Hammer	


Nail Back Panel (P5) onto Side Panel Left (P1) and Side Panel Right (P2) using 10 x Nails (H5) with a Hammer.

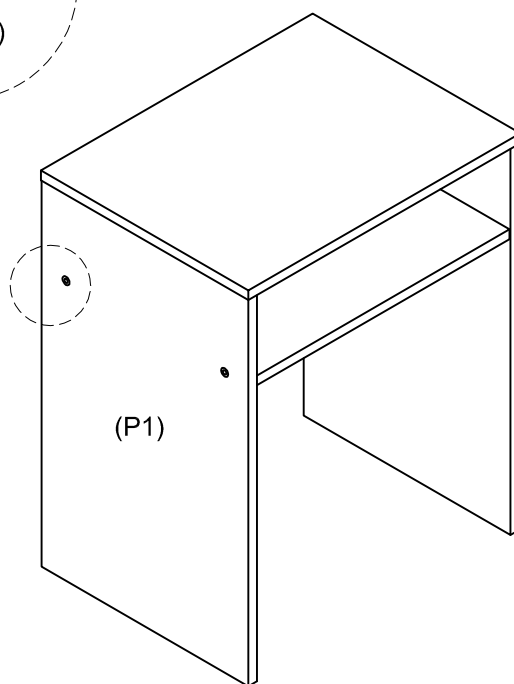
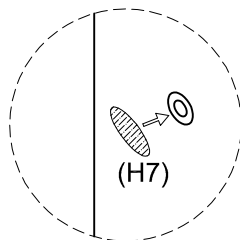
BACK VIEW



Nail 4 x Leg Studs (H6) onto Side Panel Left (P1) and Side Panel Right (P2) using a Hammer.

Step 7

You will need	
	
4 x Stickers (H7)	



Place 4 x Stickers (H7) on Screw holes.

Step 8

Job Complete!

In the interest of our environment please dispose of all packaging thoughtfully.

