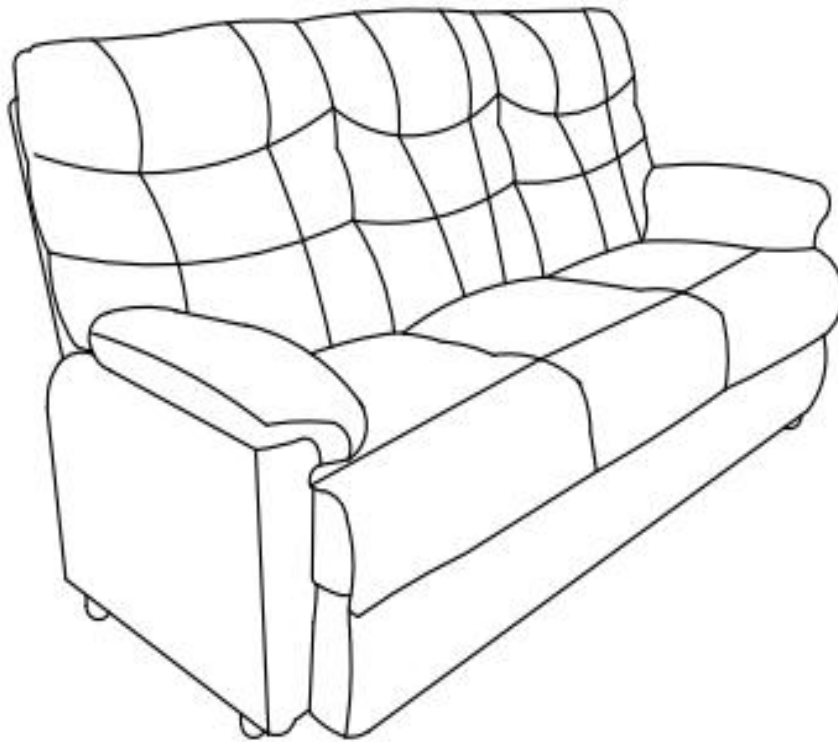




Version 1.0



TWO PEOPLE



REQUIRED

# WEBSTER

Sofa 3 Seater Mocha

[www.fantasticfurniture.com.au](http://www.fantasticfurniture.com.au)

# Enjoy

Your purchase from  
Australia's Best Value Furniture Store



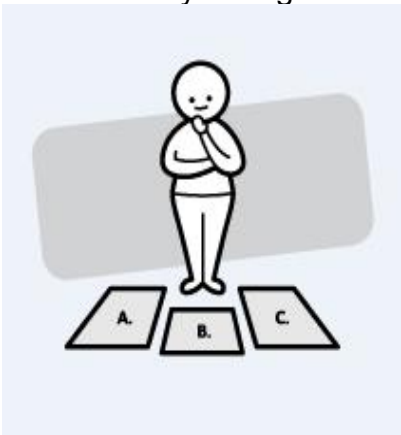
# Assembly checklist



Read through the instructions carefully before you begin.



Make sure you have all the required tools. Never use power tools unless instructed.



Identify and lay out all of the components before you begin assembly.



Unless instructed, do not fully tighten screws until the item is fully assembled.

## Useful Information

- ! Never use power tools unless specifically instructed. They can damage your components or hardware if used incorrectly.
- ! The most common mistakes made during assembly are using the wrong hardware or getting components back to front.
- ! Always use a soft surface (such as carpet or cardboard) when assembling your product to avoid scratching or damaging the surface of the product.
- ! Bulky items such as wardrobes and bunk beds should be assembled in the room they will be used in as they may not fit through a door once assembled.
- ! Never use any glue until you are certain that the parts belong together.
- ! Periodically check and re-tighten all fasteners. Check the product care label or website for product care instructions.
- ! If you are having any difficulties assembling your product, missing any hardware or components please visit our website Help Centre for further assistance.



**CAUTION: ALWAYS ENSURE YOUR HANDS AND FEET ARE CLEAR OF THE HINGE MECHANISM WHEN IN USE TO AVOID INJURY.**

Do not allow children to play on the chair. Always leave the chair in an upright and closed position after use. Keep hands and feet clear of the mechanism. Only the occupant should operate the chair.

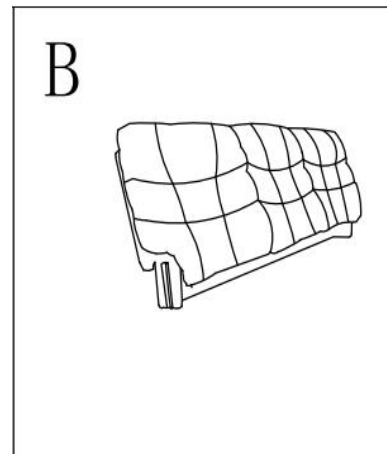
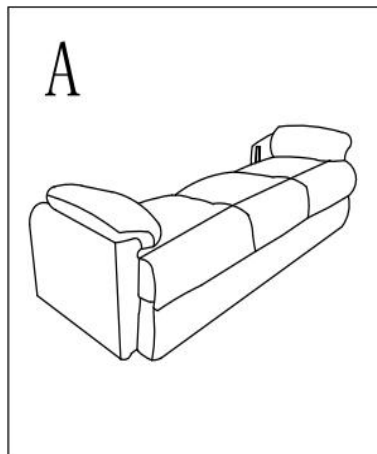
## What you need

to assemble the product

### Parts list

A: Seat Base

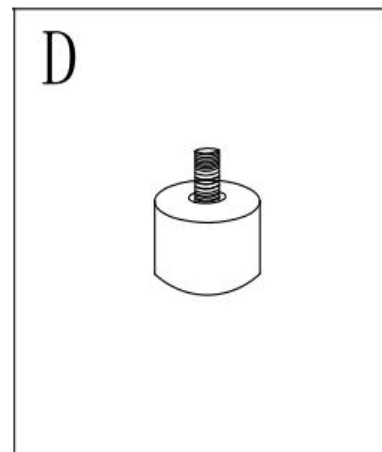
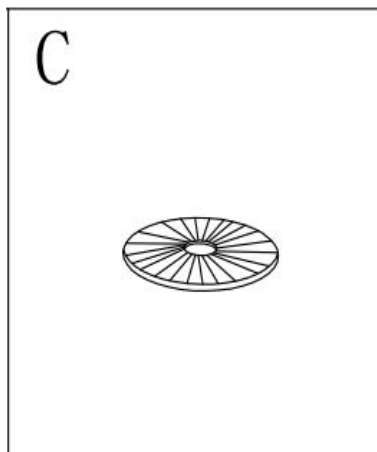
B: Seat Back



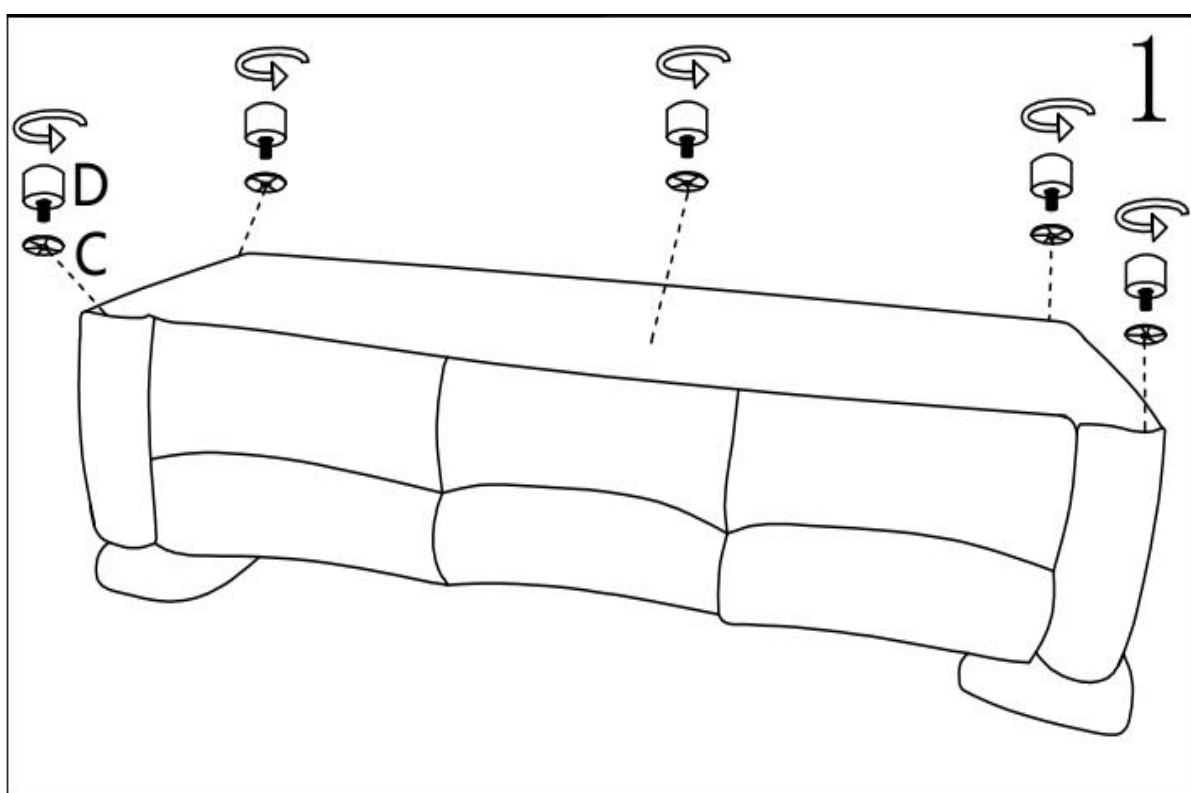
### Hardware list

C: Plastic Washer × 5

D: Plastic Leg × 5

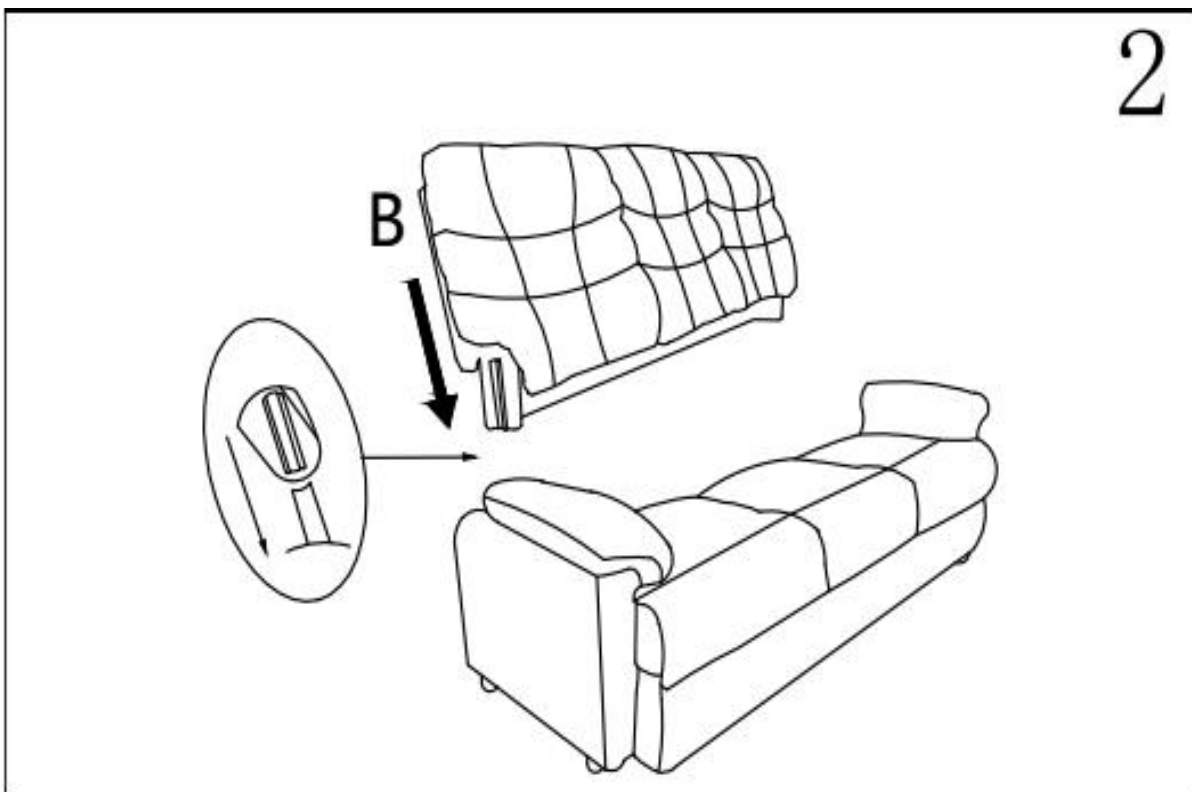


# Step 1



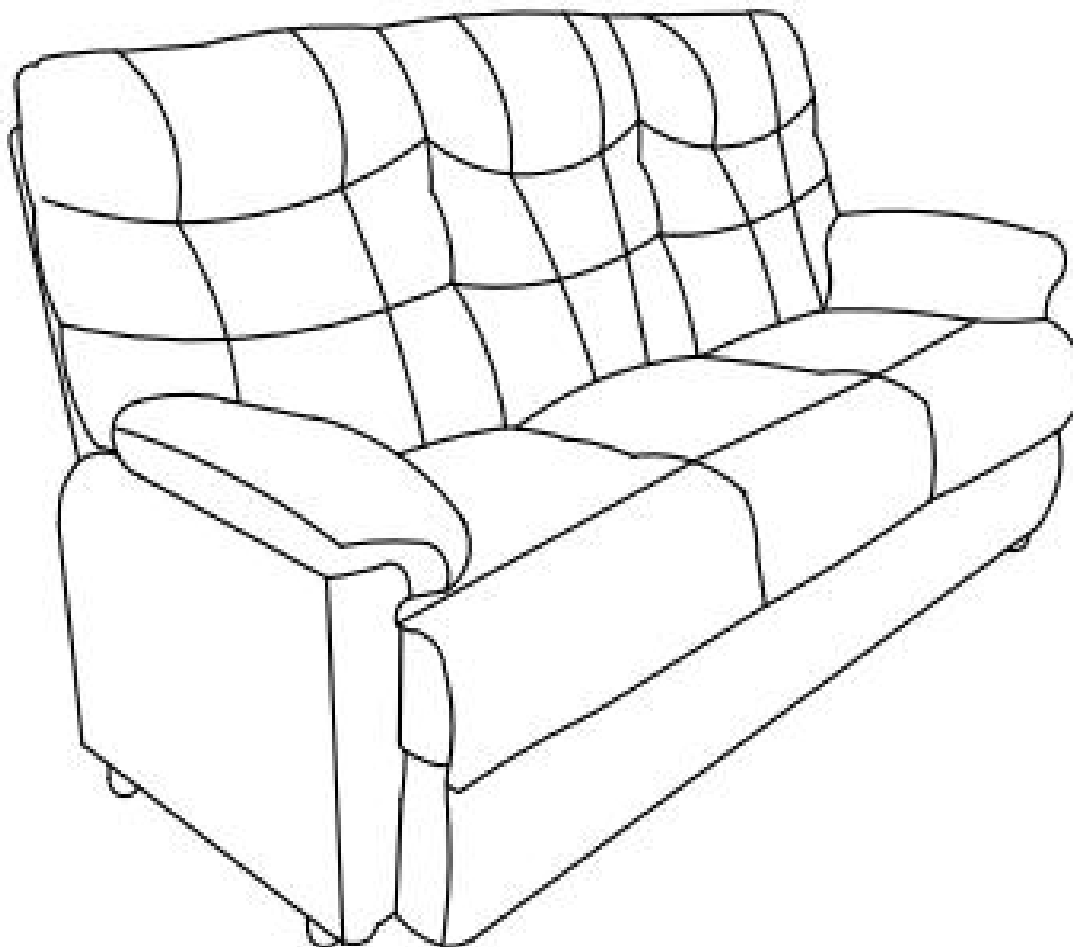
Use 1 × leg (D) with 1 × washer (C) and place in holes as shown.  
Turn clockwise by hand until fully tightened.  
Repeat this step for all legs.

## Step 2



Attach the seat back to the seat base, ensure the clips are secured.

## Step 3



## Job Complete!

In the interest of our environment please dispose of all packaging thoughtfully.