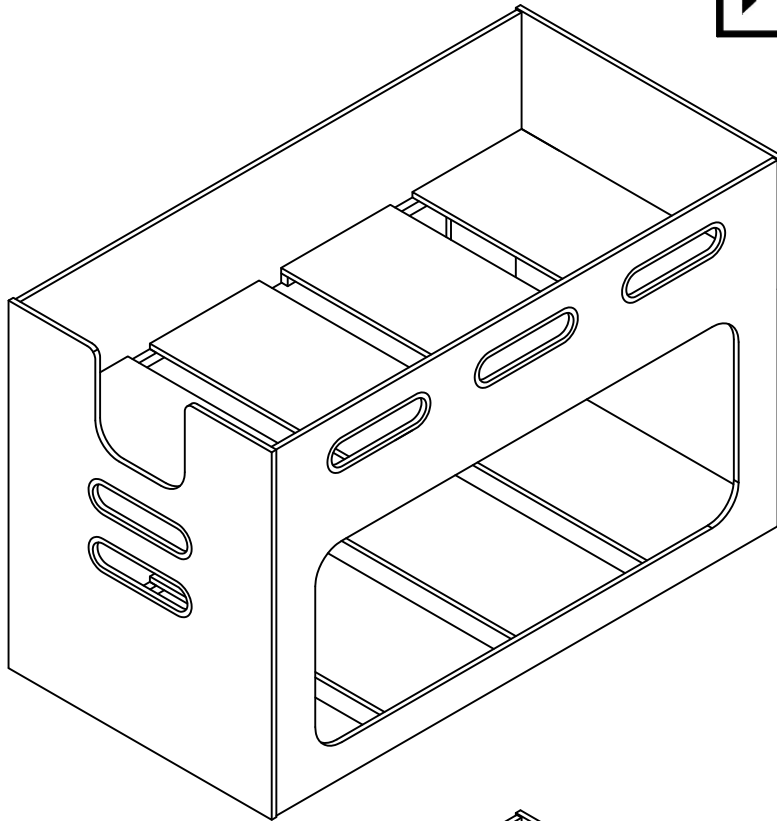


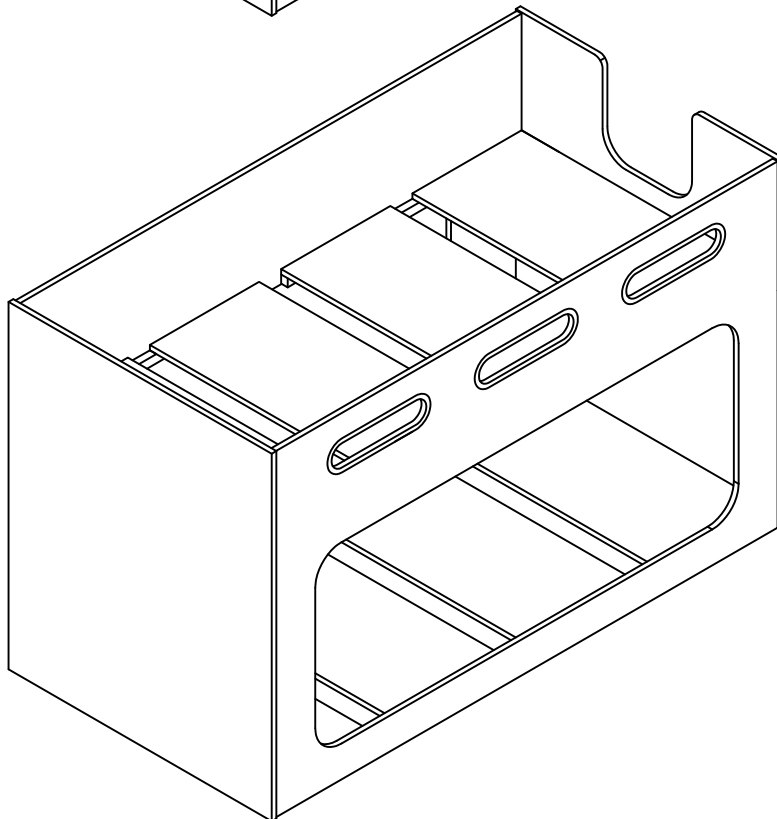


Version 1.1

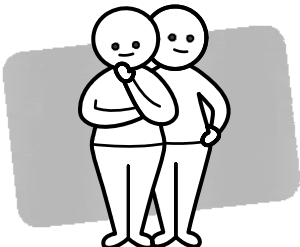
A



B



TWO PEOPLE



REQUIRED

Note: Assembly has two options: A or B

**CABIN BUNK**

[www.fantasticfurniture.com.au](http://www.fantasticfurniture.com.au)

# Enjoy

Your purchase from  
Australia's Best Value Furniture Store



## **IMPORTANT INFORMATION**

1. Children should be discouraged from playing on top of this bunk bed.
2. The bunk bed should be checked periodically by the owner to ensure that the guardrail, ladder and other components are maintained in the correct position and state of repair and that all connectors are tight.
3. The bunk bed is not to be placed near a ceiling fan unless the distance between the closest points on the ceiling fan and bunk bed is at least 2 metres.
4. Prohibit horseplay on or under bed(s).
5. Prohibit more than one person on upper bunk.
6. Use Ladder for entering and leaving upper bunk.
7. If the bunk bed will be placed next to the wall, the guardrail that runs the full length of the bed should be placed against the wall to prevent entrapment between the bed and the wall.

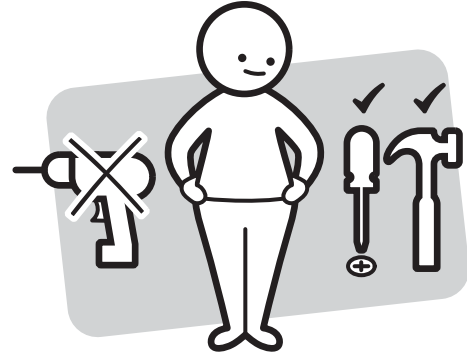
## **IMPORTANT INFORMATION**

8. Never attach or hang items to any part of the bunk bed that are not designed for use with the bed. For example, hooks, belts and jump ropes.

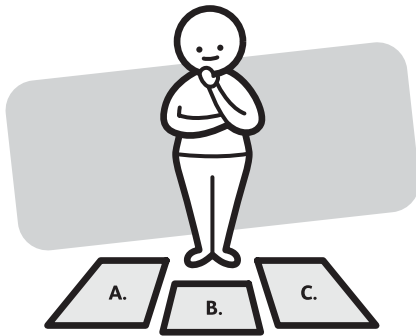
# Assembly checklist



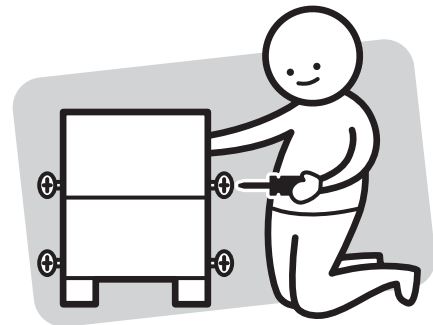
Read through the instructions carefully before you begin.



Make sure you have all the required tools. Never use power tools unless instructed.



Identify and lay out all of the components before you begin assembly.



Unless instructed, do not fully tighten screws until the item is fully assembled.

## Useful Information

! Never use power tools unless specifically instructed. They can damage your components or hardware if used incorrectly.

! The most common mistakes made during assembly are using the wrong hardware or getting components back to front.

! Always use a soft surface (such as carpet or cardboard) when assembling your product to avoid scratching or damaging the surface of the product.

! Bulky items such as wardrobes and bunk beds should be assembled in the room they will be used in as they may not fit through a door once assembled.

! Never use any glue until you are certain that the parts belong together.

! Periodically check and re-tighten all fasteners. Check the product care label or website for product care instructions.

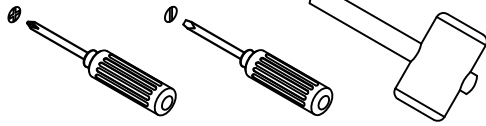
! If you are having any difficulties assembling your product, missing any hardware or components please visit our website Help Centre for further assistance.

# What you need

to assemble the product



DO NOT USE



## Other tools you need

Flat head screwdriver, Phillips head screwdriver, Hammer

## Parts list

**Box 1:** Headboard (P4); Footboard (P5);

**Box 2:** Front Board (P6) x 1;

**Box 3:** Back Lower Side Rail (P1) x 1;

Back Support Panel (P2) x 2

Back Upper Side Rail (P3) x 1;

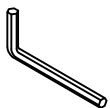
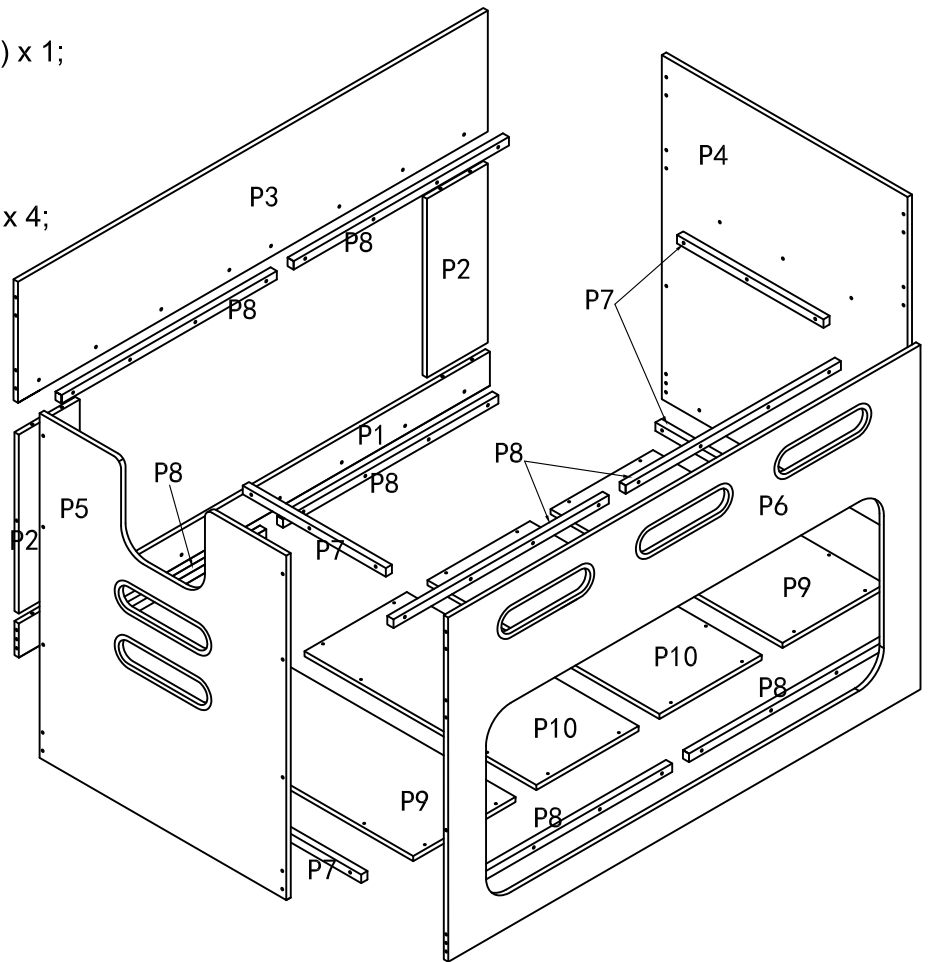
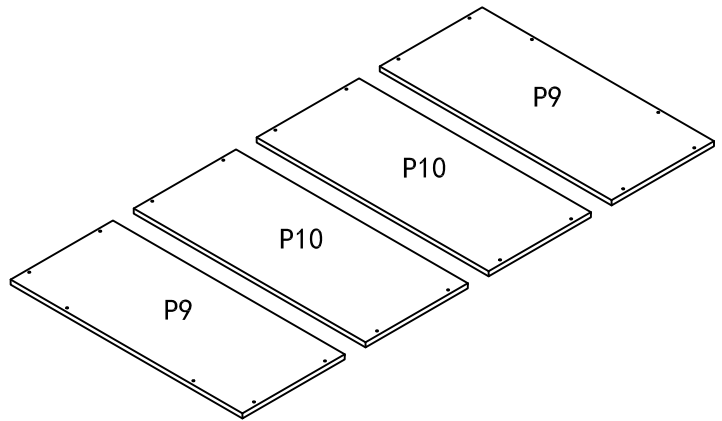
Middle Bedbase (P10) x 2;

**Box 4:** Short Support Panel (P7) x 4;

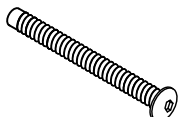
Long Support Panel (P8) x 8;

Left and Right Bedbase (P9) x 4;

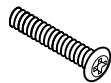
Middle Bedbase (P10) x 2;



1 x Allen Wrench  
(H1)



20 x Bolts (M6x60)  
(H2)



44 x Bolts (M6x30)  
(H3)



40 x Screws (L30mm)  
(H4)

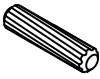
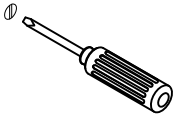
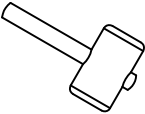


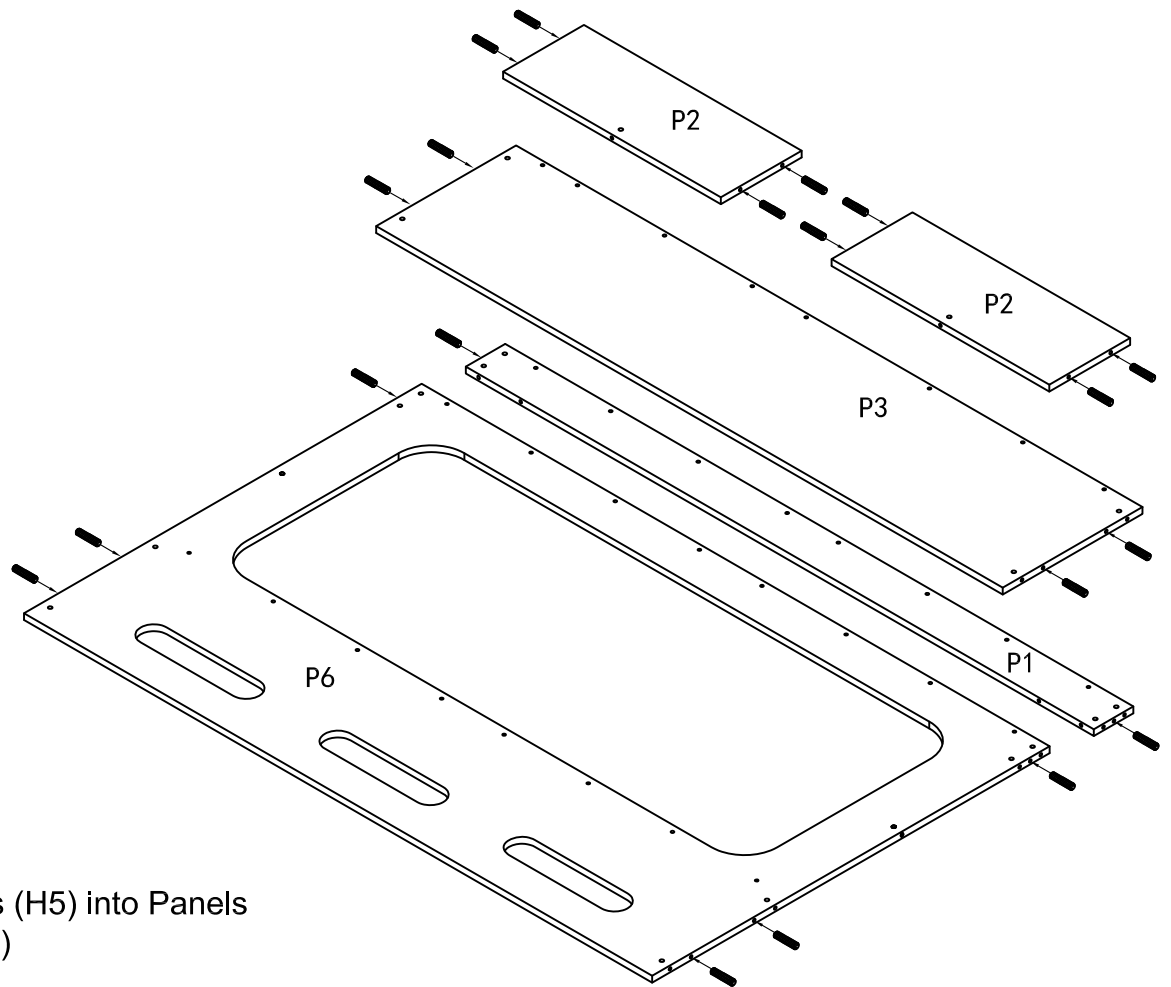
20 x Dowels (L30mm)  
(H5)



20 x Nuts  
(H6)

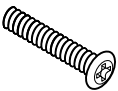
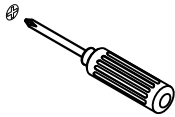
# Step 1

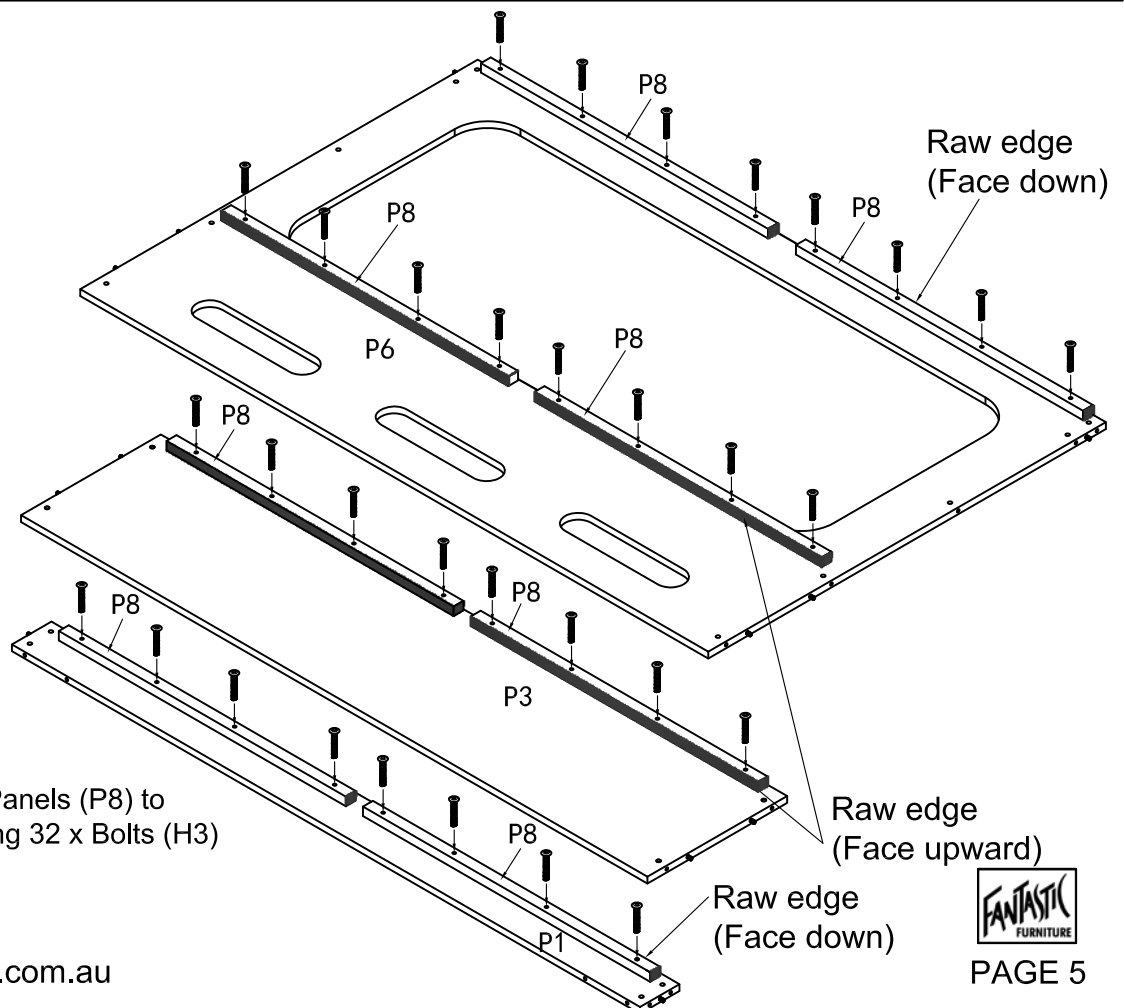
You will need

20 x Dowels (H5)

Flat head screwdriver

Hammer



Insert 20 x Dowels (H5) into Panels (P1),(P2),(P3),(P6)

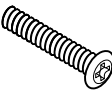
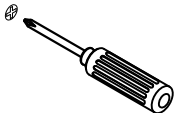
# Step 2

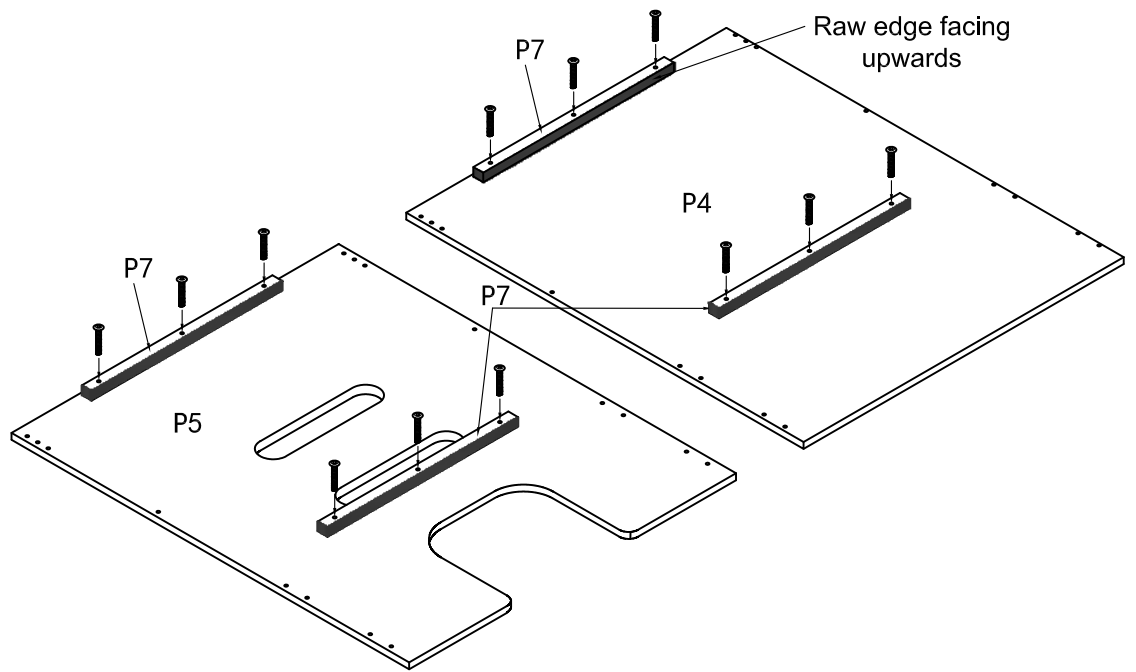
You will need

32 x Bolts (H3)

Phillips head screwdriver



Attach 8 x Long Support Panels (P8) to Panels P1, P3, P6 by using 32 x Bolts (H3)

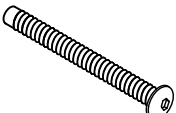

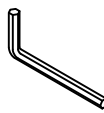
# Step 3

You will need	
	
12 x Bolts (H3)	
	
Phillips head screwdriver	

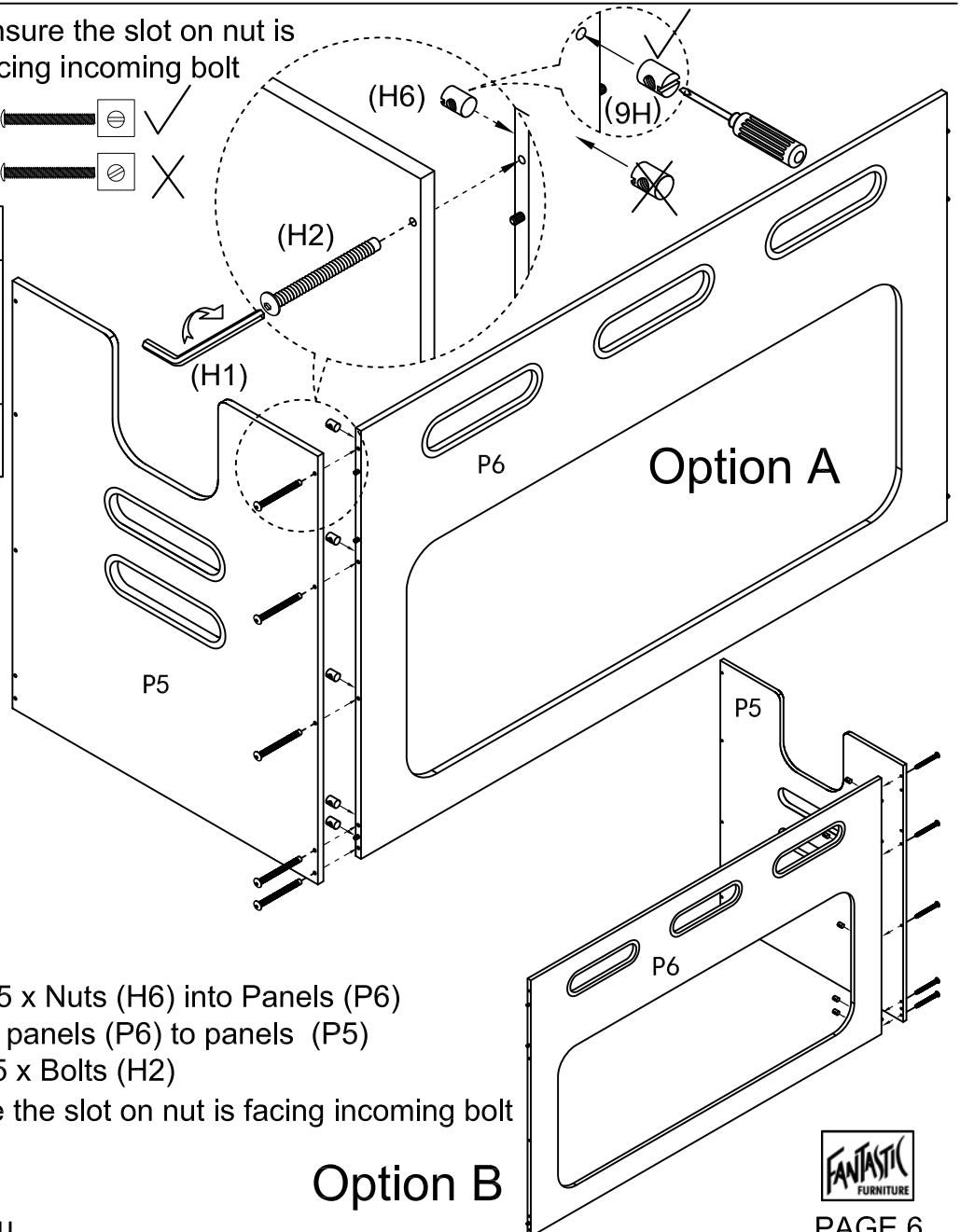
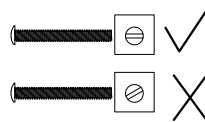


Attach 4 x Short Support Panels (P7) to Headboard (P4) and Footboard (P5) by using 12 x Bolts (H3)

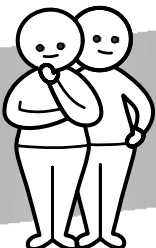
# Step 4

You will need	
	
5 x Bolts (H2)	5 x Nuts (H6)
	
1 x Allen Wrench (H1)	

Ensure the slot on nut is facing incoming bolt



TWO PEOPLE



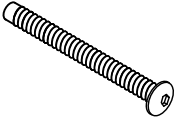

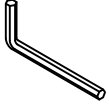
REQUIRED

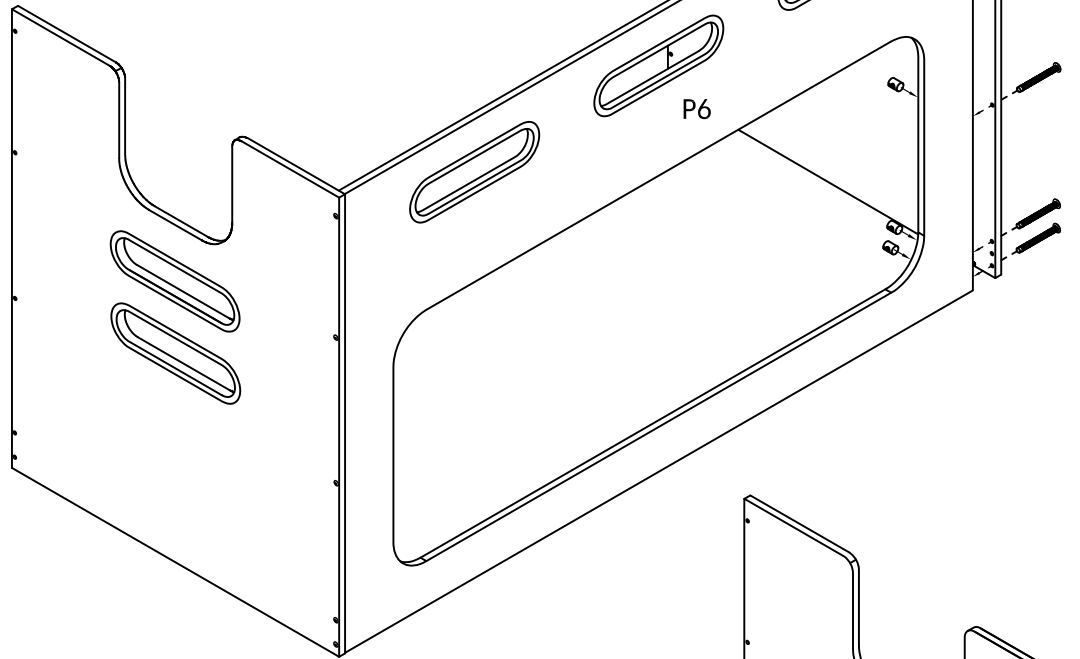
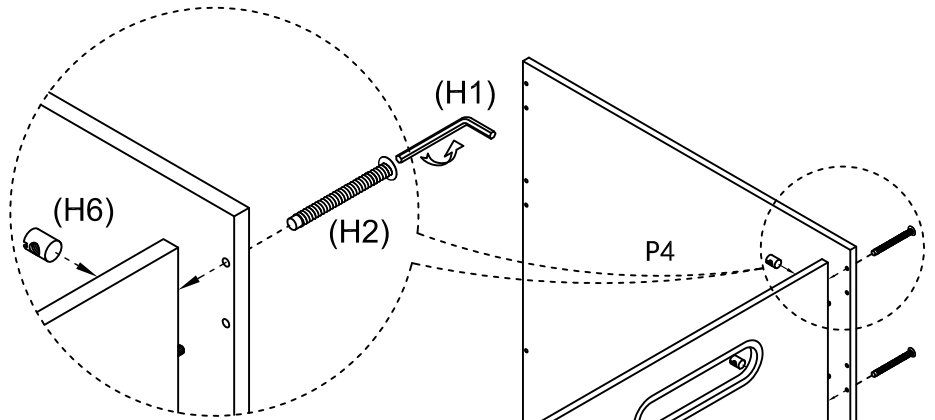
Insert 5 x Nuts (H6) into Panels (P6)  
 Attach panels (P6) to panels (P5)  
 using 5 x Bolts (H2)  
 Ensure the slot on nut is facing incoming bolt

Option B

# Step 5

Ensure the slot on nut is facing incoming bolt

You will need	
	
5 x Bolts (H2)	5 x Nuts (H6)
	
1 x Allen Wrench (H1)	

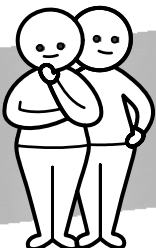


## Option A

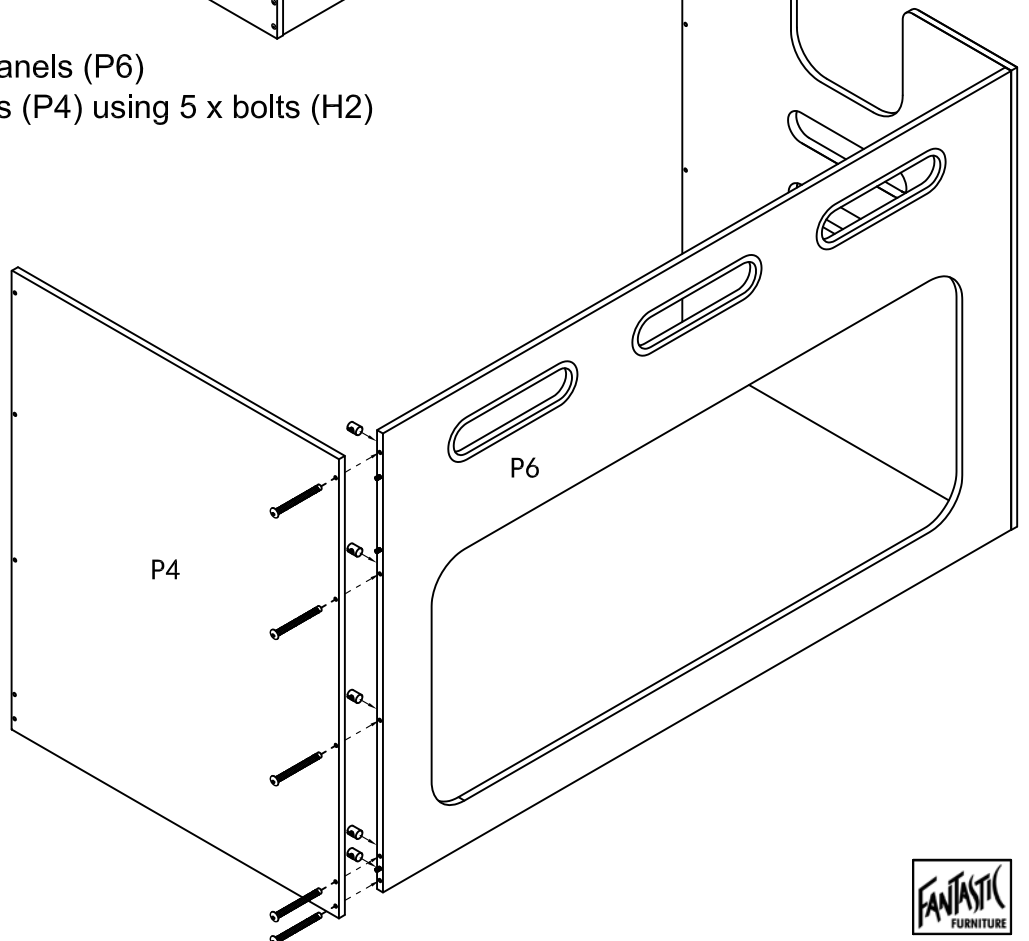
Insert 5 x Nuts (H6) into Panels (P6)  
Attach panel (P6) to panels (P4) using 5 x bolts (H2)

## Option B

TWO PEOPLE

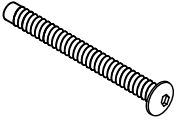

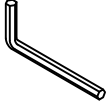


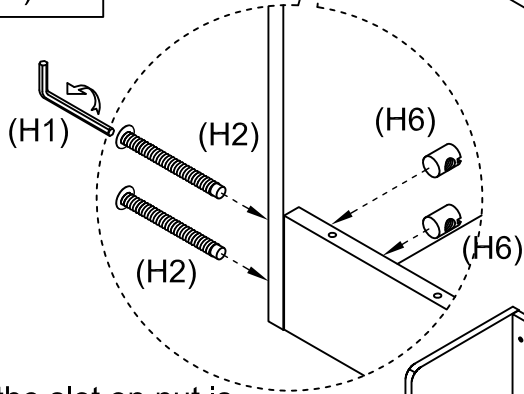
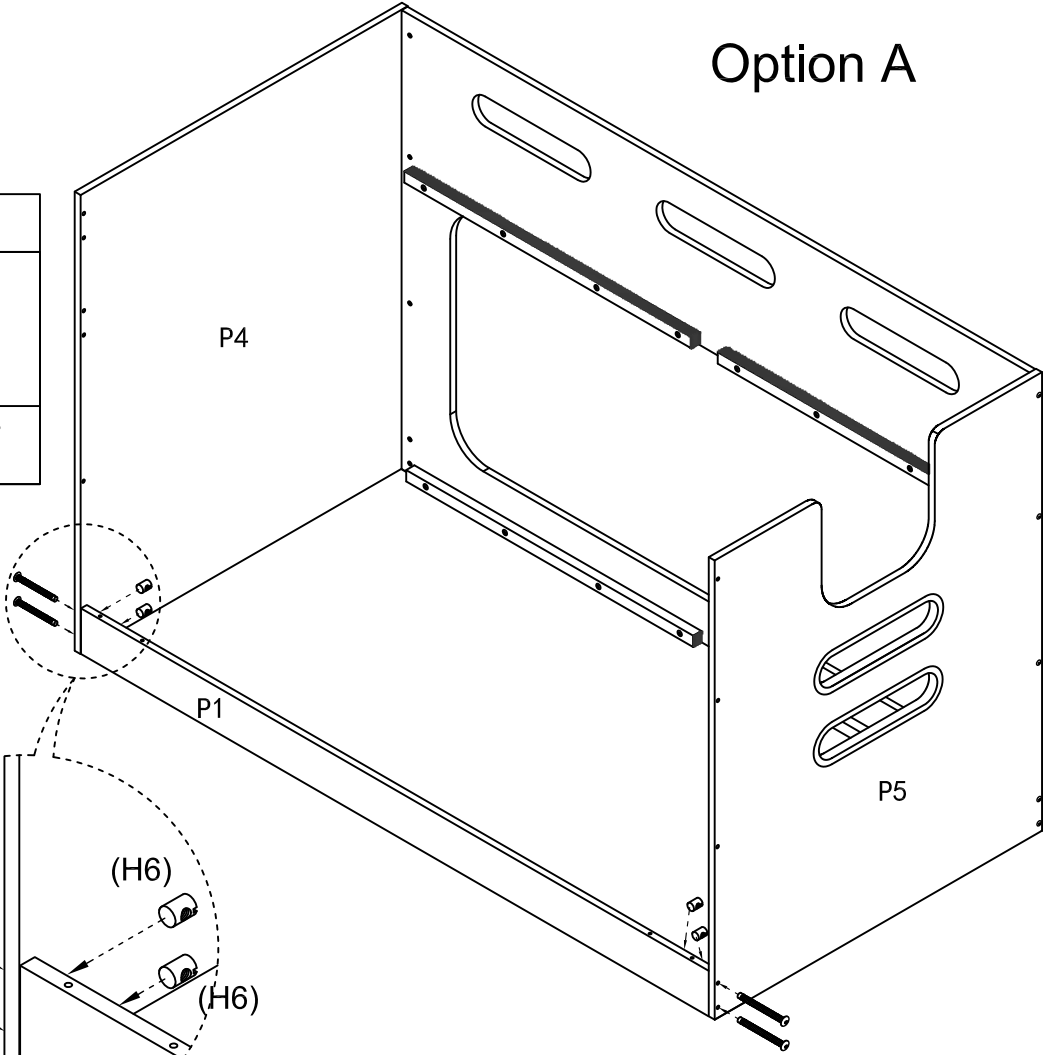
REQUIRED



# Step 6

## Option A

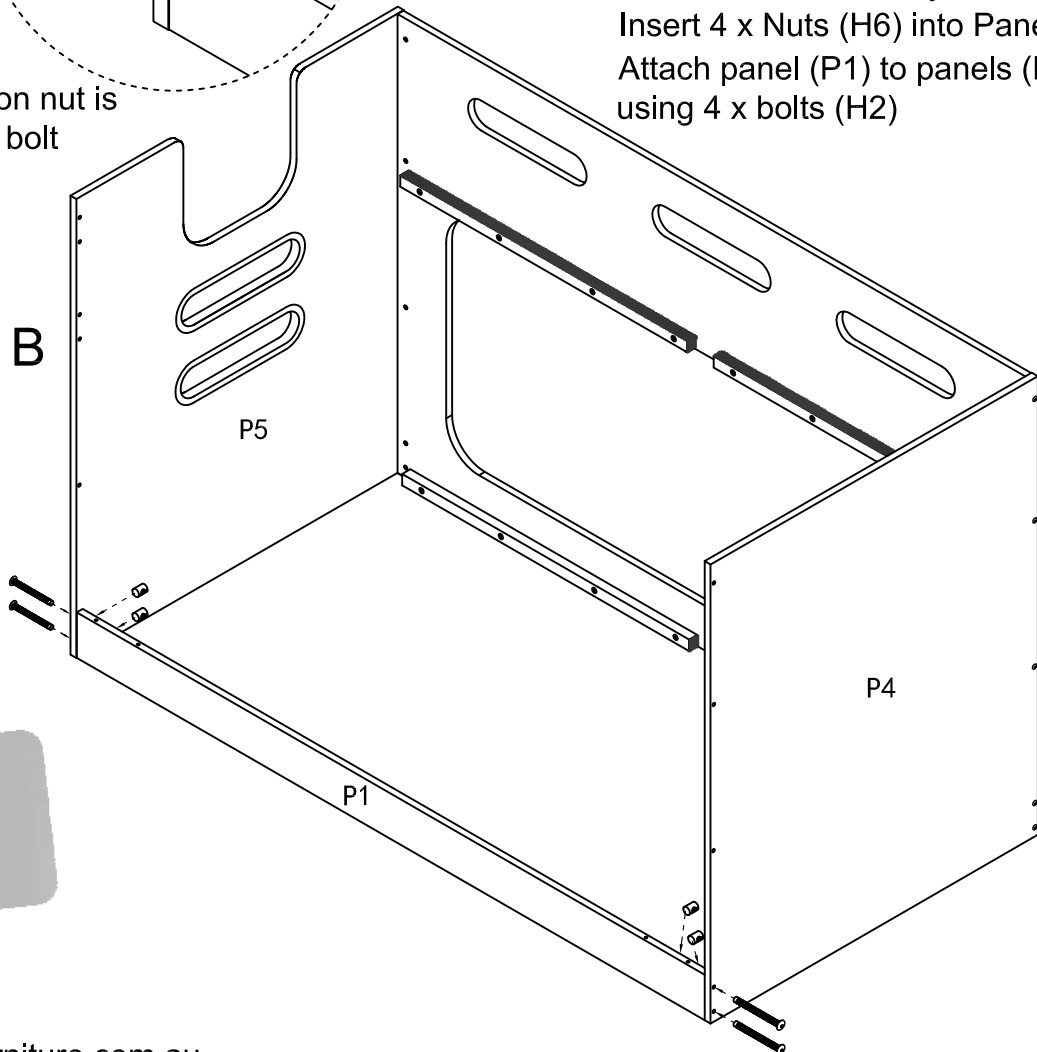
You will need	
	
4 x Bolts (H2)	4 x Nuts (H6)
	
1 x Allen Wrench (H1)	



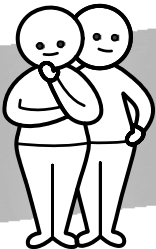
Ensure the slot on nut is facing incoming bolt

Insert 4 x Nuts (H6) into Panels (P1)  
Attach panel (P1) to panels (P4) & (P5)  
using 4 x bolts (H2)

## Option B



TWO PEOPLE

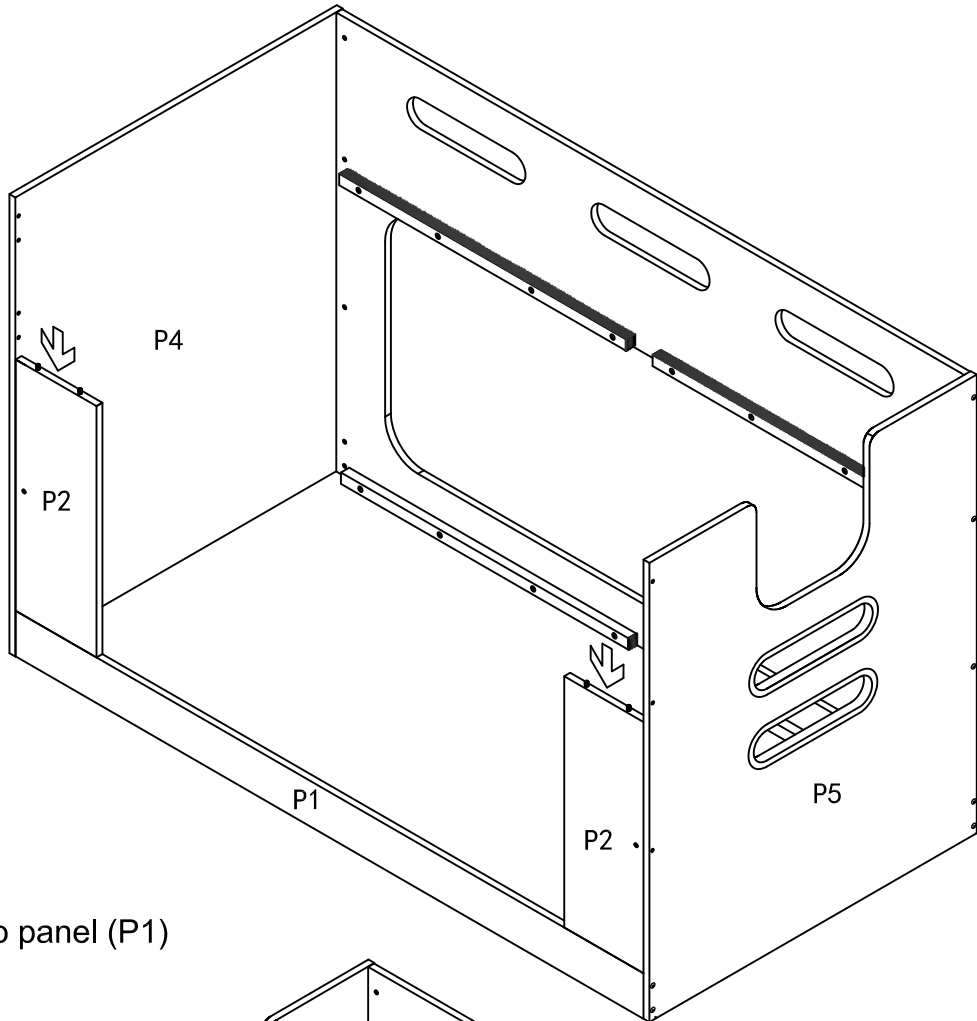


REQUIRED



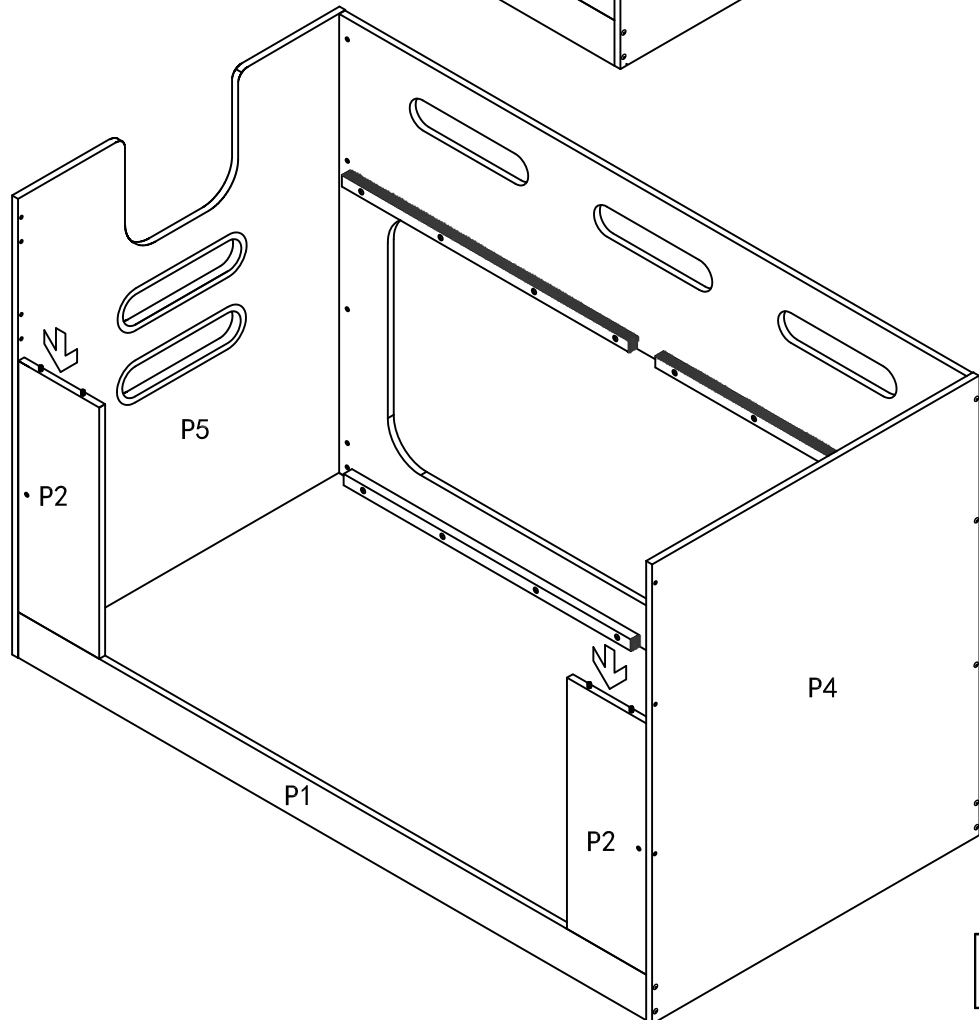
# Step 7

Option A

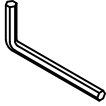
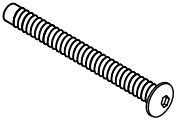



Attach panel (P2) to panel (P1)

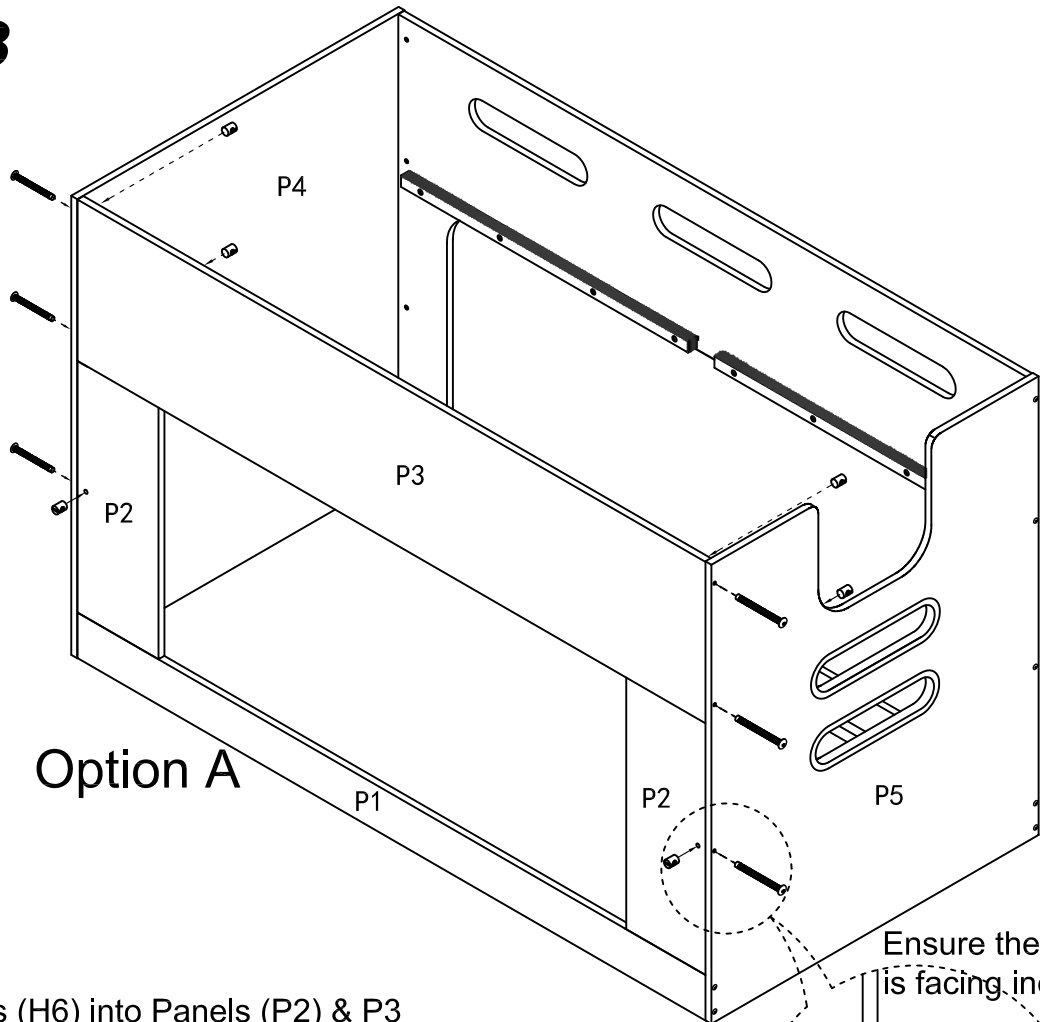
Option B



# Step 8

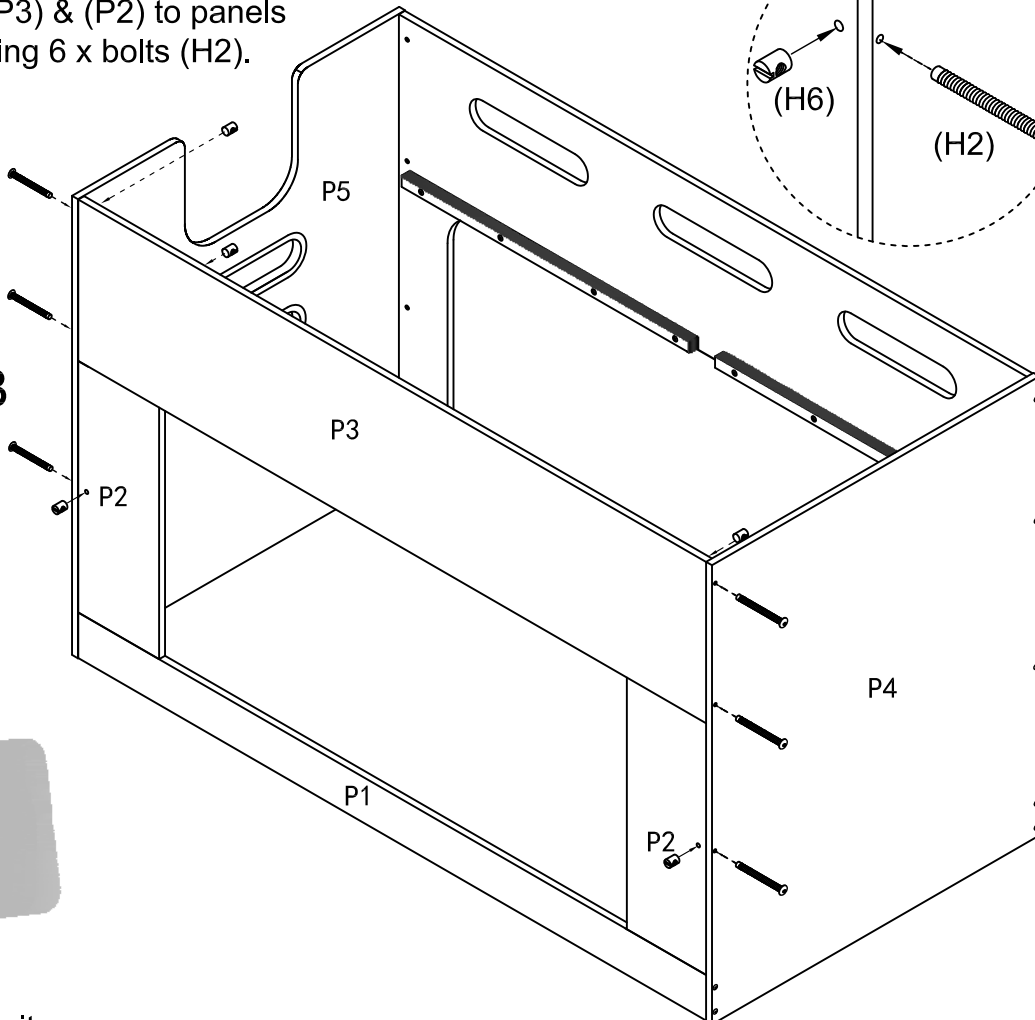
You will need

1 x Allen Wrench (H1)

6 x Bolts (H2)

6 x Nuts (H6)

## Option A

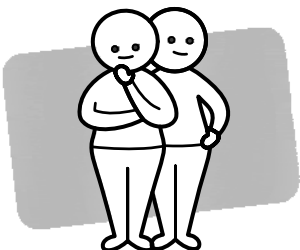


Insert 6 x Nuts (H6) into Panels (P2) & P3  
Attach panel (P3) & (P2) to panels (P4) & (P5) using 6 x bolts (H2).

## Option B



TWO PEOPLE



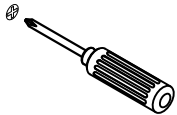
REQUIRED

# Step 9

You will need

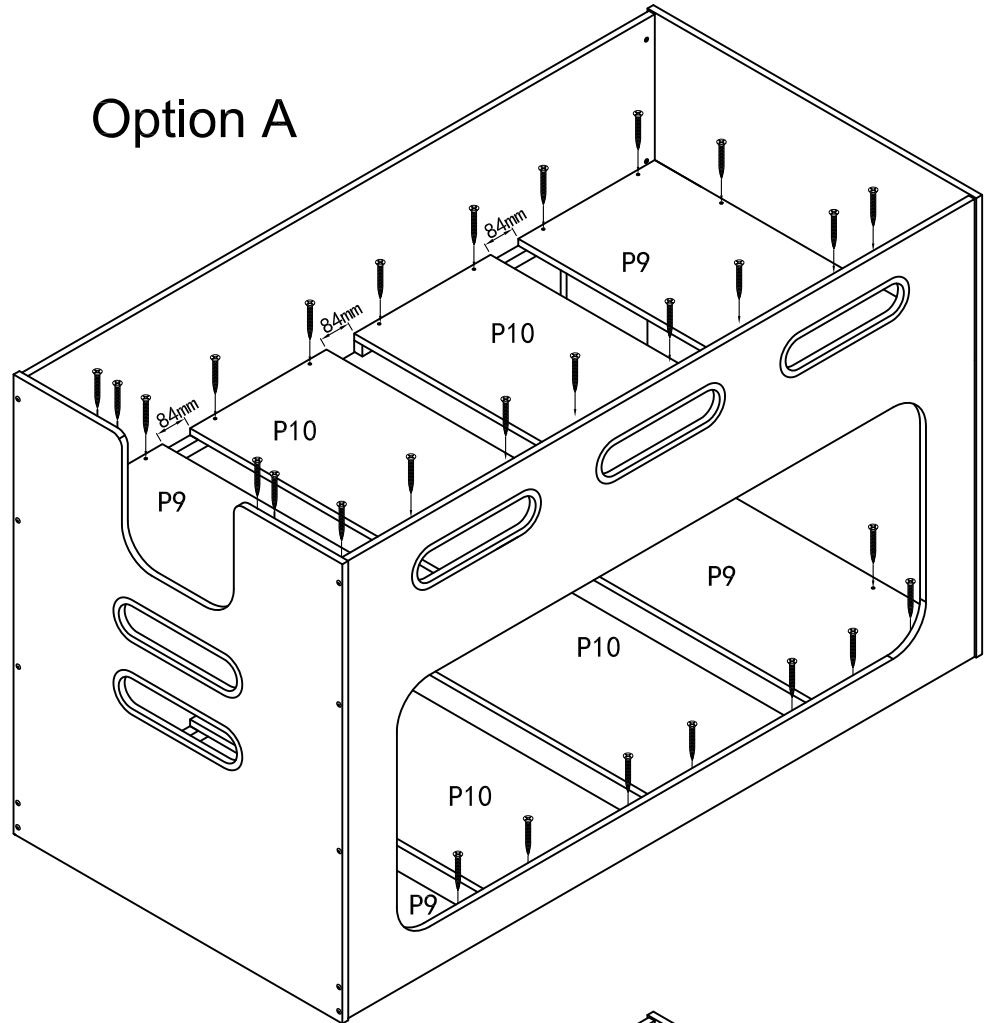


40 x Screws  
(H4)



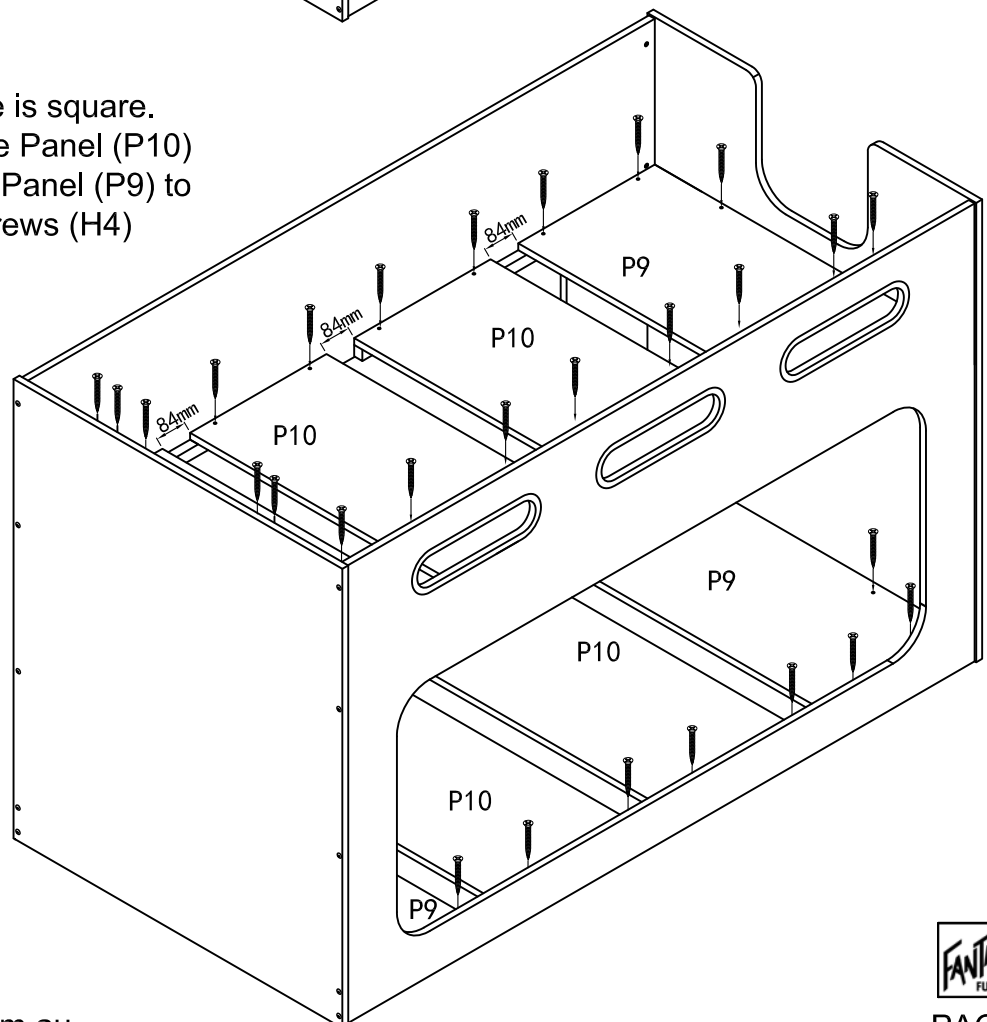
Phillips head  
screwdriver

## Option A



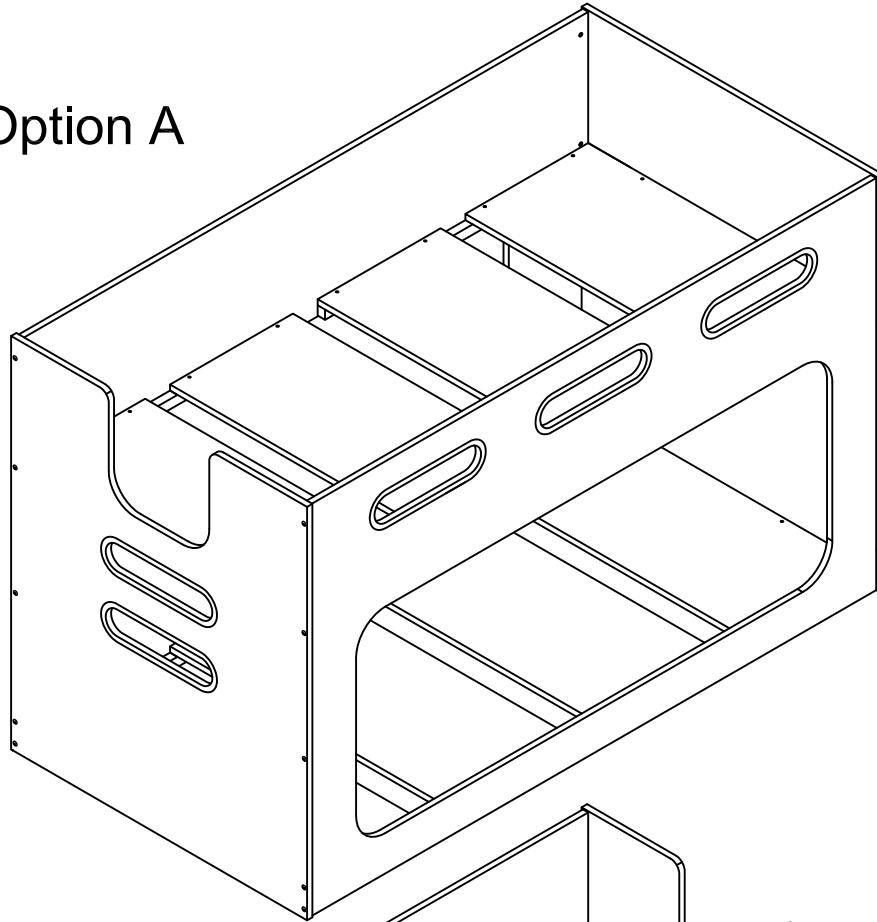
Make sure the inner space is square.  
Then attach 4 Middle Base Panel (P10)  
and 4 x Left & Right Base Panel (P9)  
to the bunk by using 40 x screws (H4)

## Option B

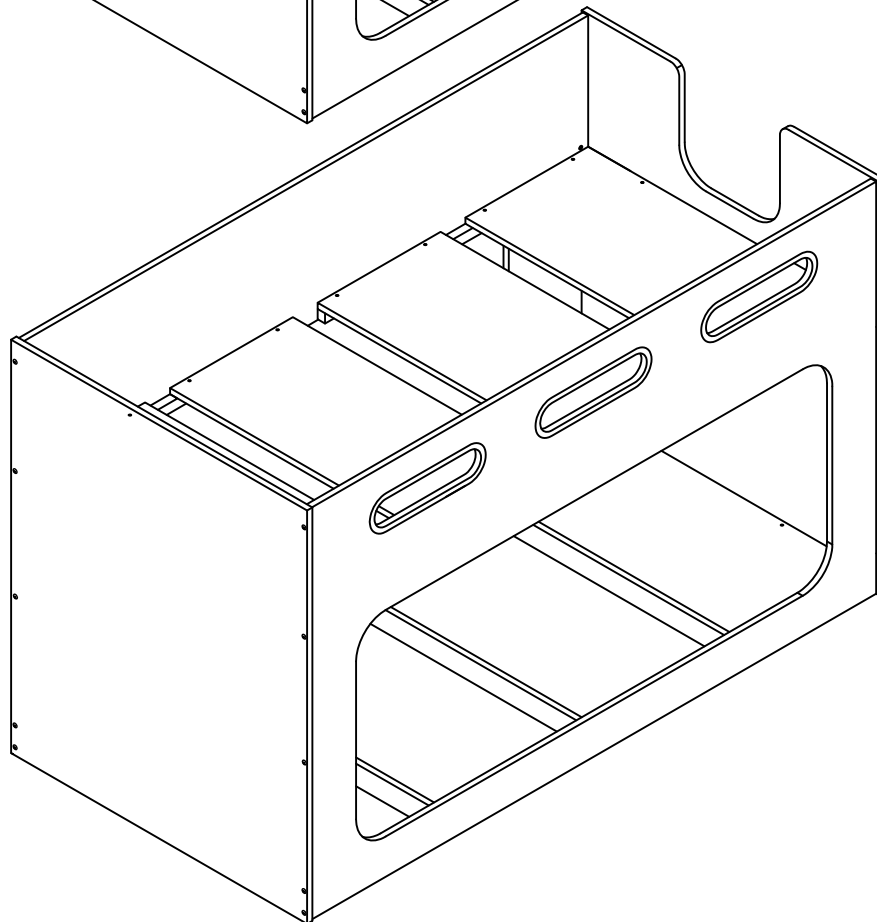


# Step 10

Option A



Option B



## Job Complete!

In the interest of our environment please dispose of all packaging thoughtfully