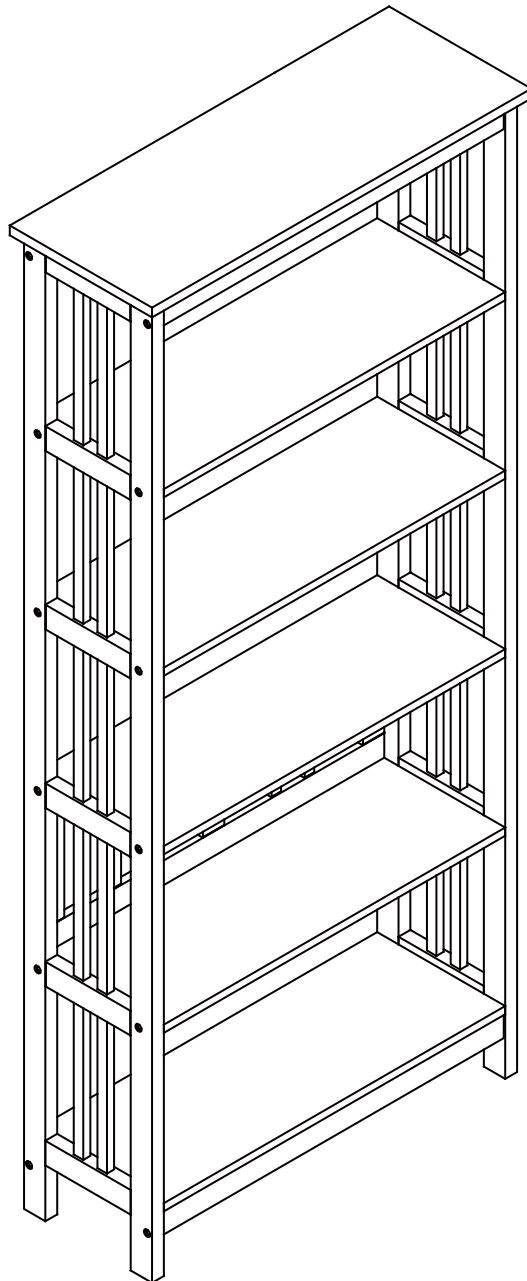




Version 1.0



# HAYMAN

Bookcase Large Narrow

[www.fantasticfurniture.com.au](http://www.fantasticfurniture.com.au)

# Enjoy

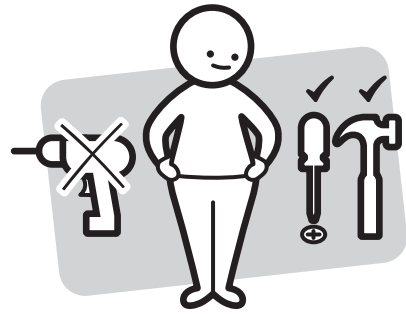
Your purchase from  
Australia's Best Value Furniture Store



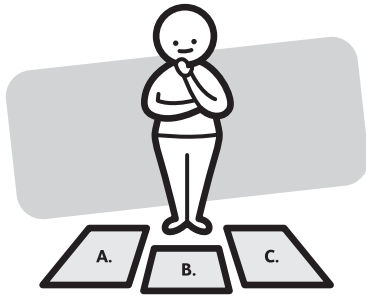
# Assembly checklist



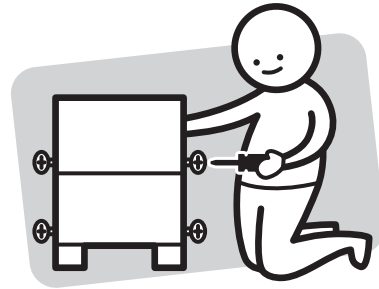
Read through the instructions carefully before you begin.



Make sure you have all the required tools. Never use power tools unless instructed.



Identify and lay out all of the components before you begin assembly.



Unless instructed, do not fully tighten screws until the item is fully assembled.

## Useful Information

- ! Never use power tools unless specifically instructed. They can damage your components or hardware if used incorrectly.
- ! The most common mistakes made during assembly are using the wrong hardware or getting components back to front.
- ! Always use a soft surface (such as carpet or cardboard) when assembling your product to avoid scratching or damaging the surface of the product.
- ! Bulky items such as wardrobes and bunk beds should be assembled in the room they will be used in as they may not fit through a door once assembled.
- ! Never use any glue until you are certain that the parts belong together.
- ! Periodically check and re-tighten all fasteners. Check the product care label or website for product care instructions.
- ! If you are having any difficulties assembling your product, missing any hardware or components please visit our website Help Centre for further assistance.

# What you need

to assemble the product

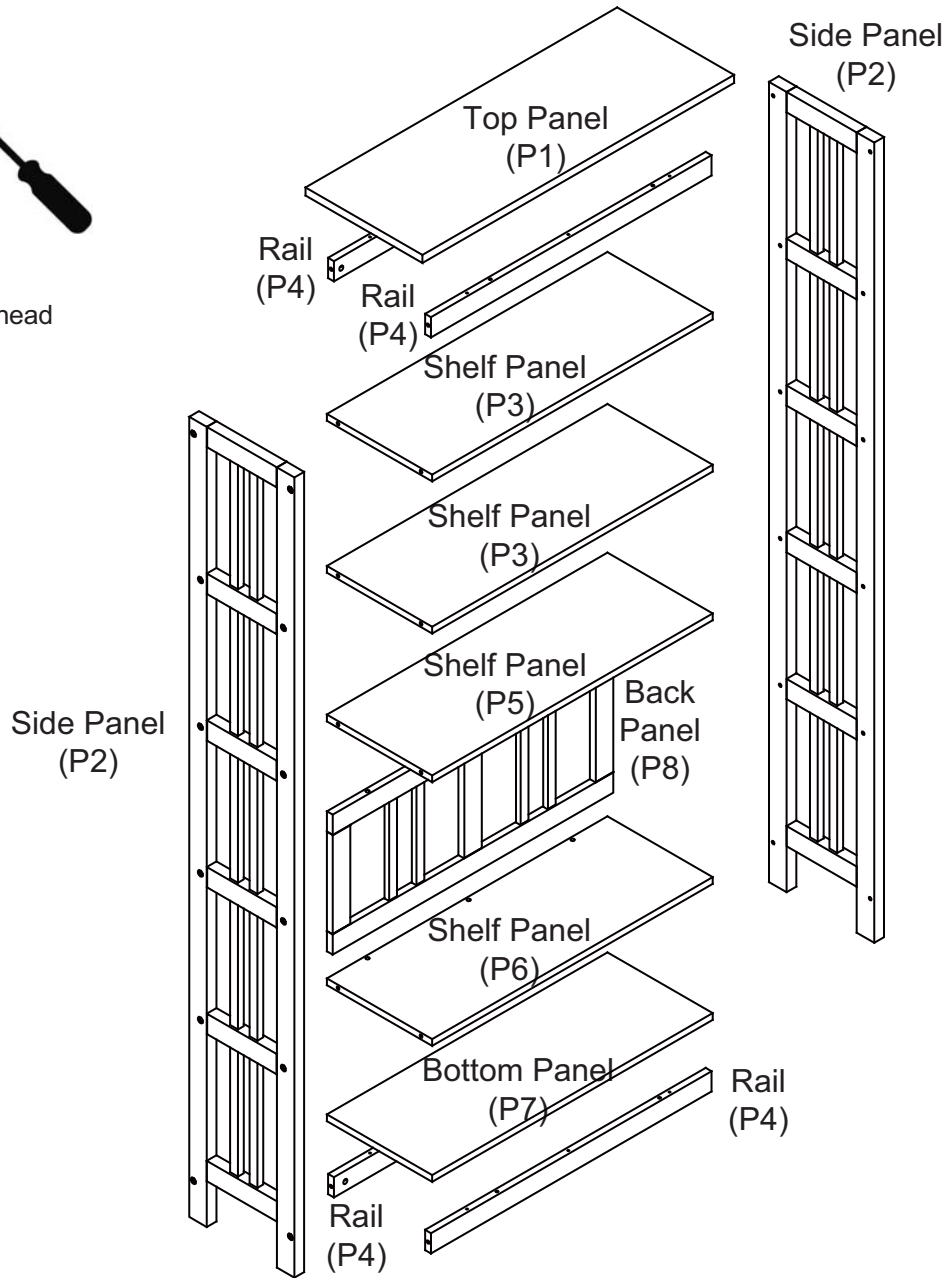


DO NOT USE



## Other tools you need

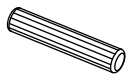
Flat head screwdriver; Phillips head screwdriver;



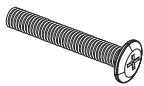
## Parts list

**Box 1:** Top Panel (P1);  
2 x Side Panels (P2);  
2 x Shelf Panels (P3);  
4 x Rails (P4);  
Shelf Panel (P5);  
Shelf Panel (P6);  
Bottom Panel (P7);  
Back Panel (P8);

## Hardware pack



14 x Dowels  
(H1)



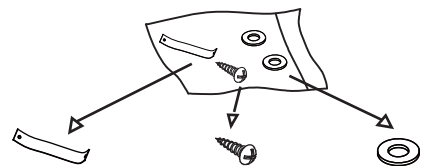
24 x Cam Bolts  
(H2)



24 x Cam Nuts  
(H3)



12 x Screws  
(H4)

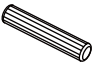




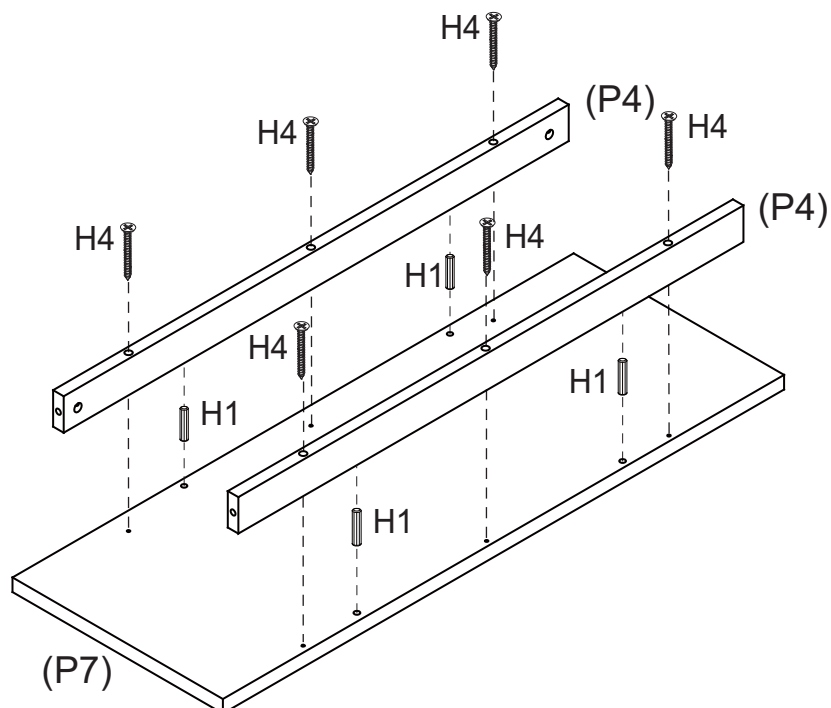
1 x Safety  
Strap  
(H5)

1 x Screw  
(H6)

2 x Washers  
(H7)


# Step 1

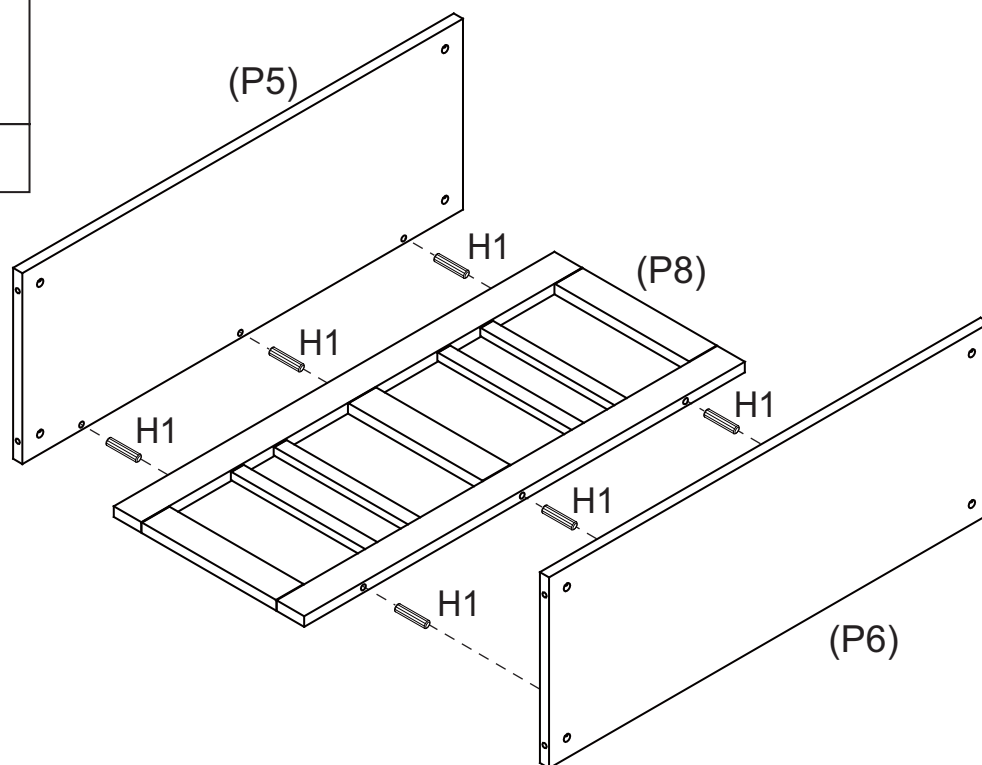
You will need	
	
4 x Dowels (H1)	6 x Screws (H4)
	
Phillips head screwdriver	



Insert 4 x Dowels (H1) into Bottom Panel (P7).  
Attach 2 x Rails (P4) to Bottom Panel (P7) with 6 x Screws (H4).

# Step 2

You will need	
	
6 x Dowels (H1)	

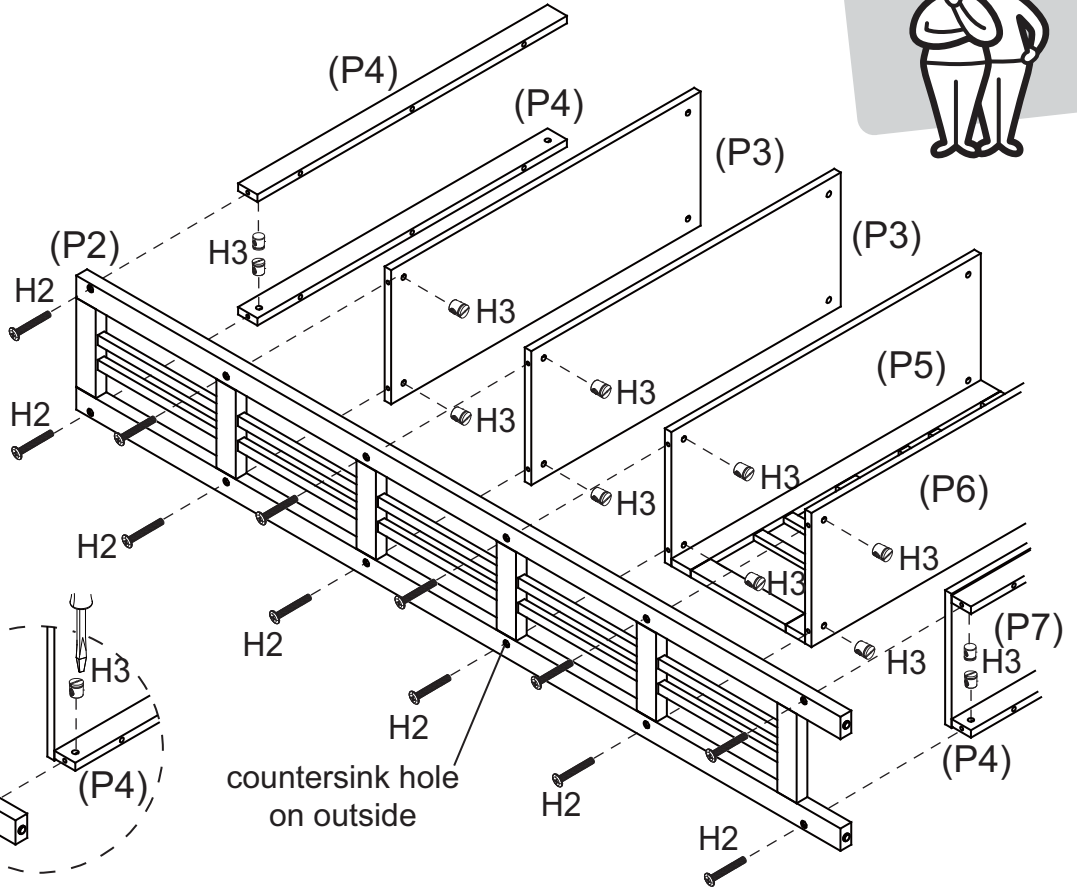


Insert 6 x Dowels (H1) into the holes of Back Panel (P8) as shown  
and attach with Shelf Panels (P5, P6).

# Step 3



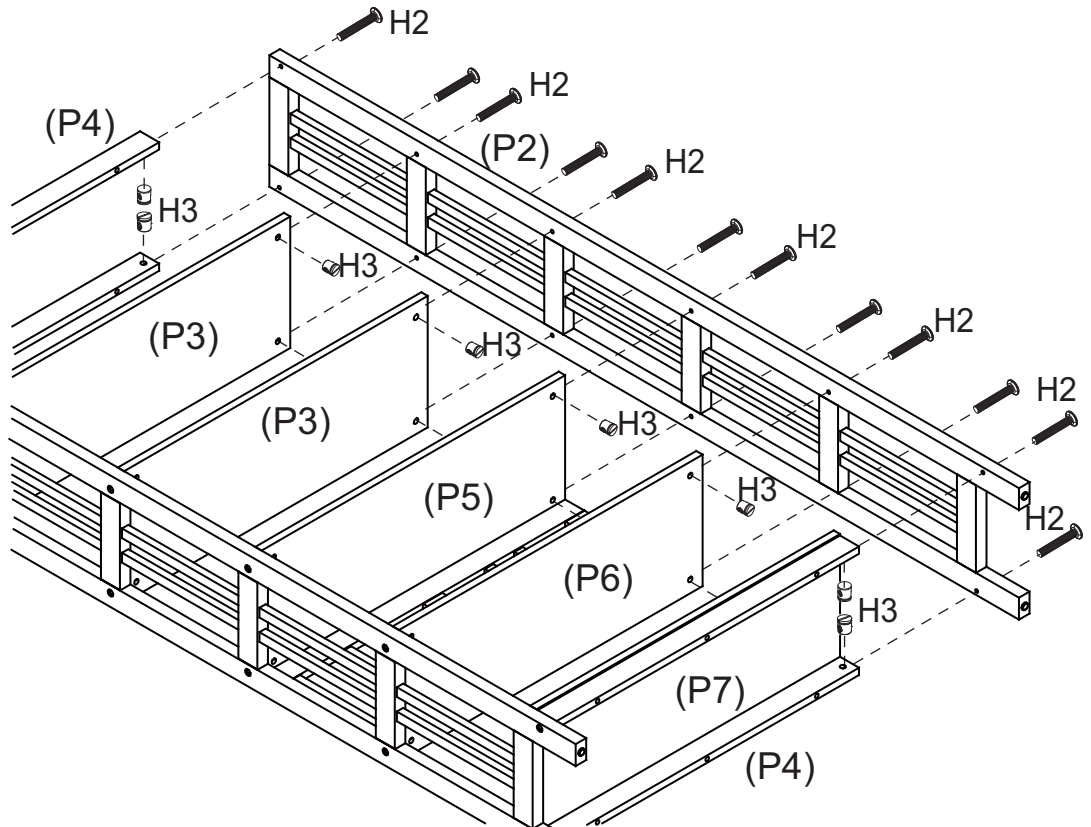
You will need	
12 x Cam Bolts (H2)	12 x Cam Nuts (H3)
Phillips head screwdriver	Flat head screwdriver



Push 12 x Cam Bolts (H2) through Side Panel (P2) attach with Rails (P4), Bottom Panel (P7) and Shelf Panels (P3, P5, P6) with 12 x Cam Nuts (H3) using a Flat head screwdriver. Tighten with Phillips head screwdriver.


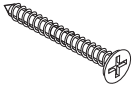

# Step 4

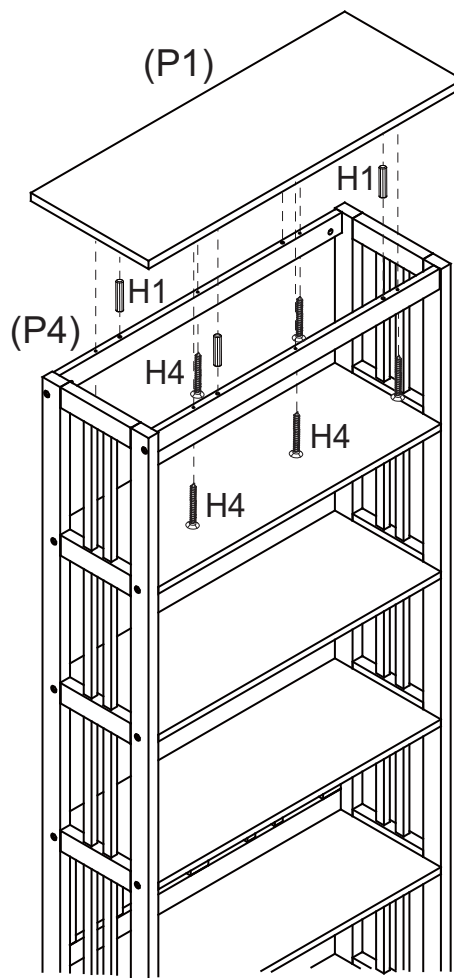
You will need	
12 x Cam Bolts (H2)	12 x Cam Nuts (H3)
Phillips head screwdriver	Flat head screwdriver



Push 12 x Cam Bolts (H2) through Side Panel (P2) attach with Rails (P4), Bottom Panel (P7) and Shelf Panels (P3, P5, P6) with 12 x Cam Nuts (H3) using a Flat head screwdriver. Tighten with Phillips head screwdriver.


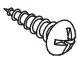


## Step 5

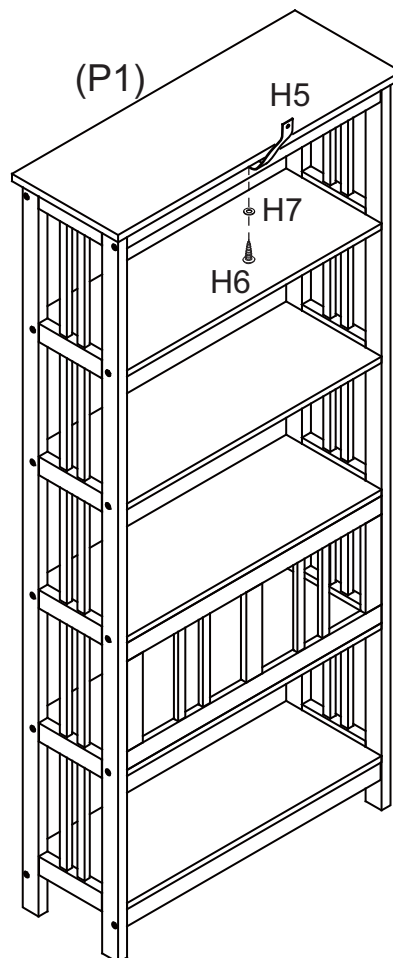
You will need	
	
4 x Dowels (H1)	6 x Screws (H4)
	
Phillips head screwdriver	



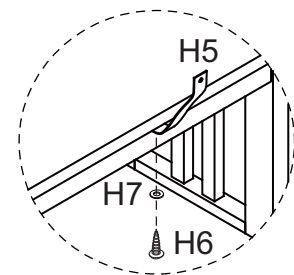
Insert 4 x Dowels (H1) into Rails (P4).  
Then attach Top Panel (P1) to Rails (P4) with 6 x Screws (H4).

## Step 6

You will need	
	
1 x Safety Strap (H5)	1 x Screw (H6)
	
1 x Washer (H7)	Phillips head screwdriver





**We strongly advise that you use the wall safety strap provided to prevent the unit toppling**



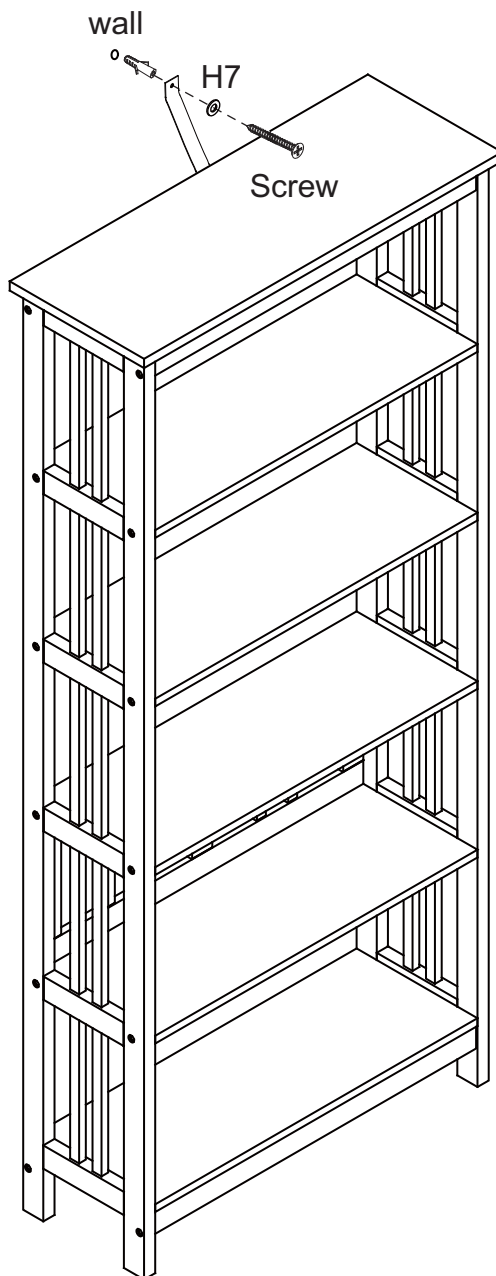
Use Screw (H6) and Washer (H7) to connect Safety Strap (H5) on Top Panel (P1).

[www.fantasticfurniture.com.au](http://www.fantasticfurniture.com.au)

# Step 7

You will need	
	
1 x Washer (H7)	Phillips head screwdriver
Screw and Wall Plug which are not provided. Please use appropriate fixtures for your wall.	

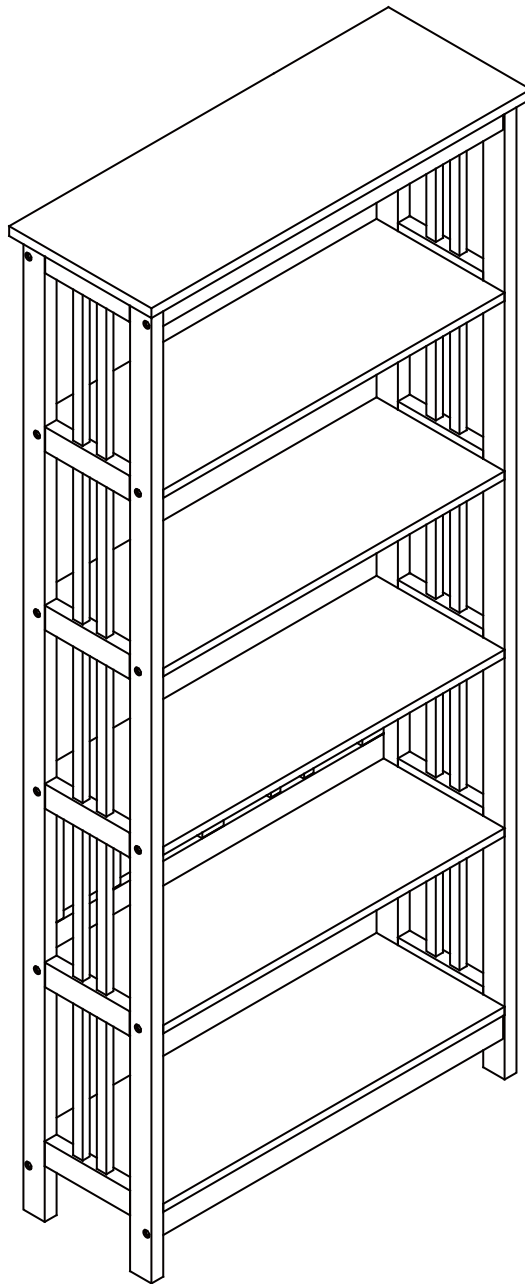
Seek advice from a qualified trades person on how to attach this safety strap to your specific wall.



Move the bookcase to the final position. Attach the safety strap to the wall. Make sure it is firmly attached and make sure it is snug fit.

**Recommended weight capacity : 40KG.**





# Job Complete!

In the interest of our environment please dispose of all packaging thoughtfully.