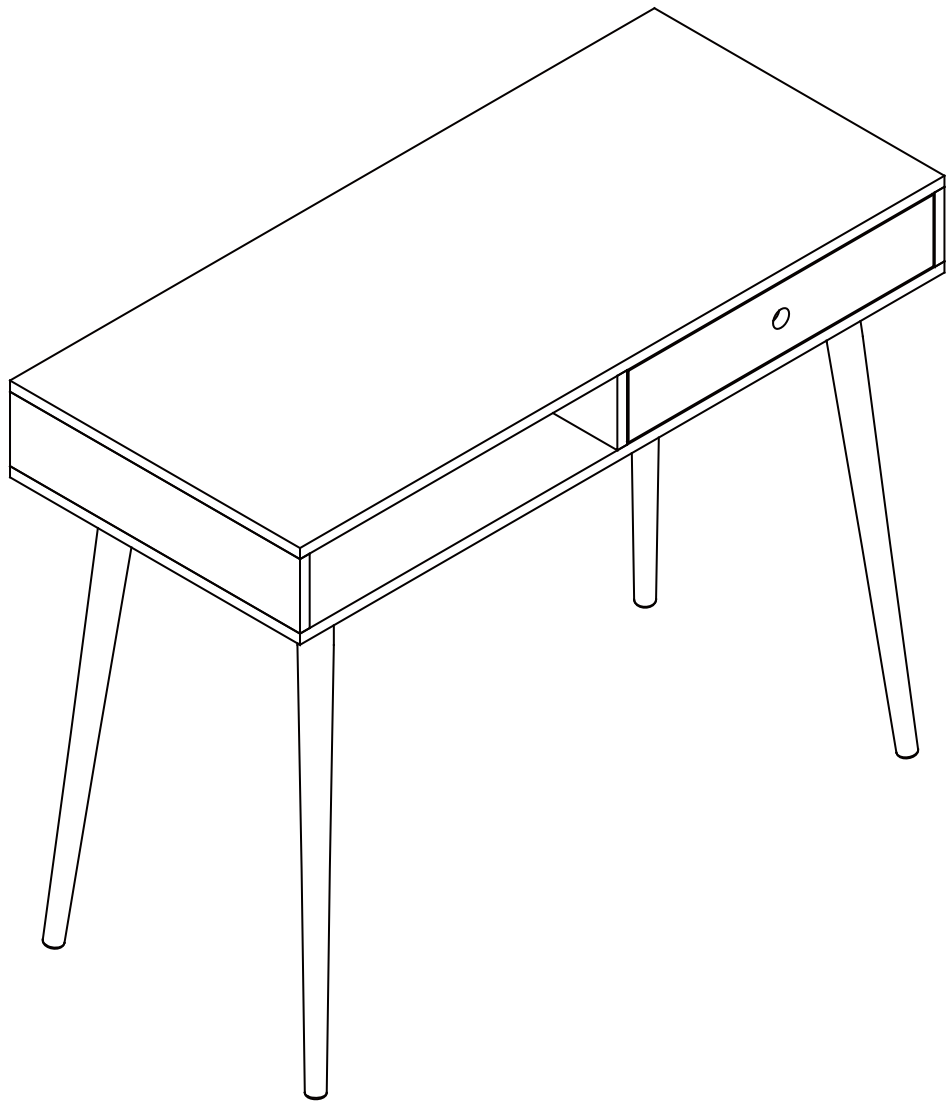




Version 1.0



# TOTO

Hall Table

[www.fantasticfurniture.com.au](http://www.fantasticfurniture.com.au)

# Enjoy

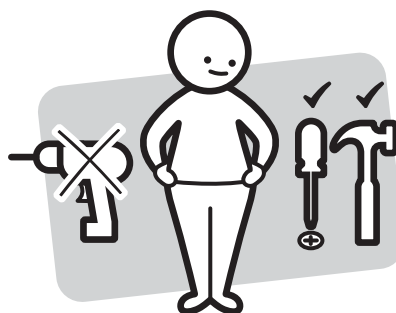
Your purchase from  
Australia's Best Value Furniture Store



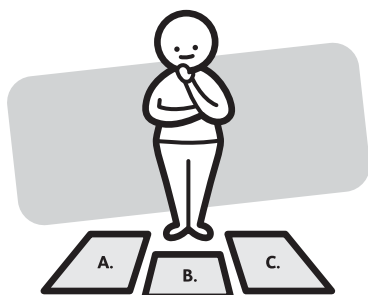
# Assembly checklist



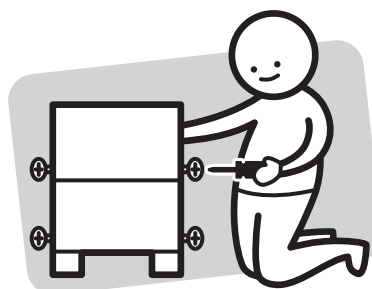
Read through the instructions carefully before you begin.



Make sure you have all the required tools. Never use power tools unless instructed.



Identify and lay out all of the components before you begin assembly.



Unless instructed, do not fully tighten screws until the item is fully assembled.

## Useful Information

- ! Never use power tools unless specifically instructed. They can damage your components or hardware if used incorrectly.
- ! The most common mistakes made during assembly are using the wrong hardware or getting components back to front.
- ! Always use a soft surface (such as carpet or cardboard) when assembling your product to avoid scratching or damaging the surface of the product.
- ! Bulky items such as wardrobes and bunk beds should be assembled in the room they will be used in as they may not fit through a door once assembled.
- ! Never use any glue until you are certain that the parts belong together.
- ! Periodically check and re-tighten all fasteners. Check the product care label or website for product care instructions.
- ! If you are having any difficulties assembling your product, missing any hardware or components please visit our website Help Centre for further assistance.

# What you need

to assemble the product

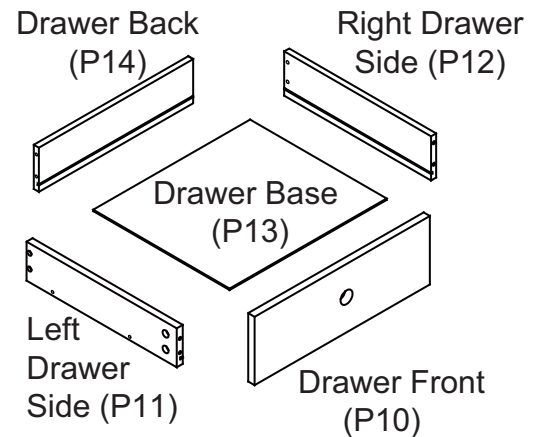
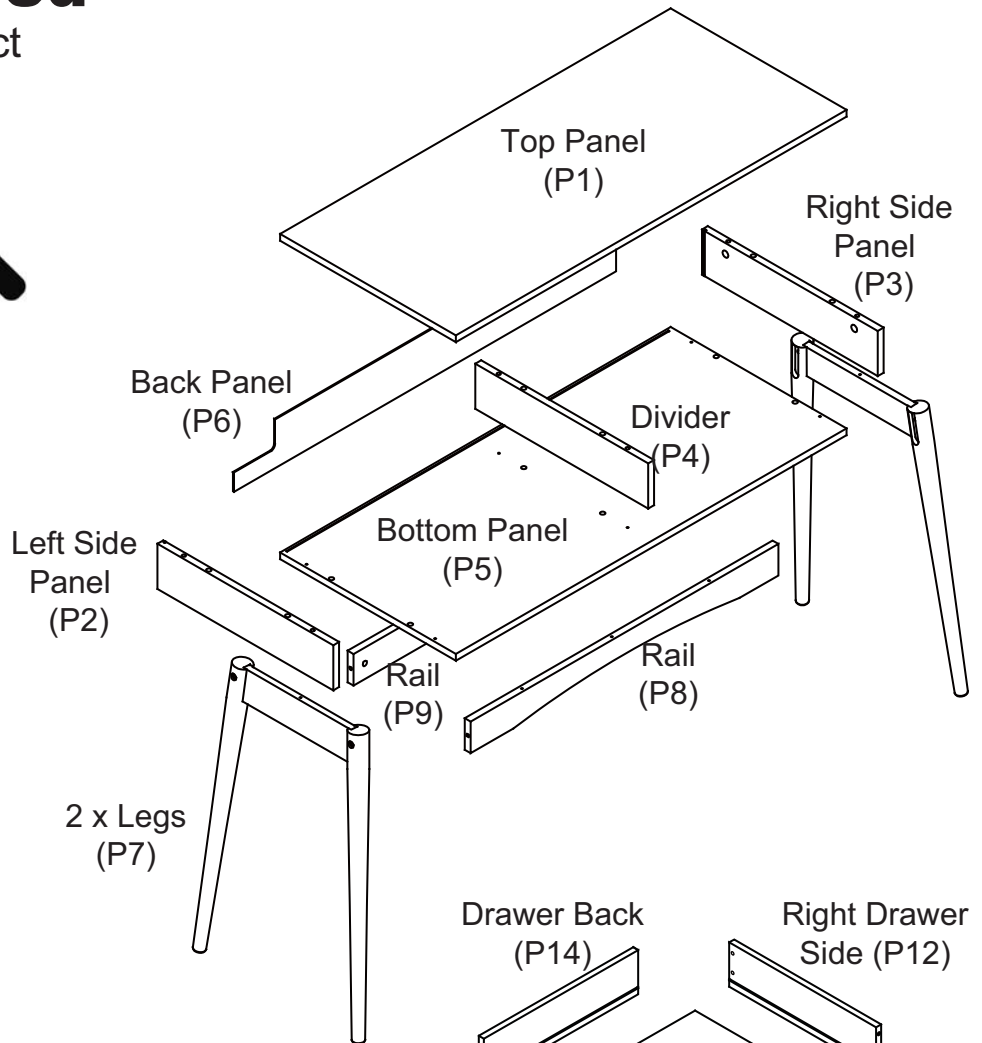


DO NOT USE



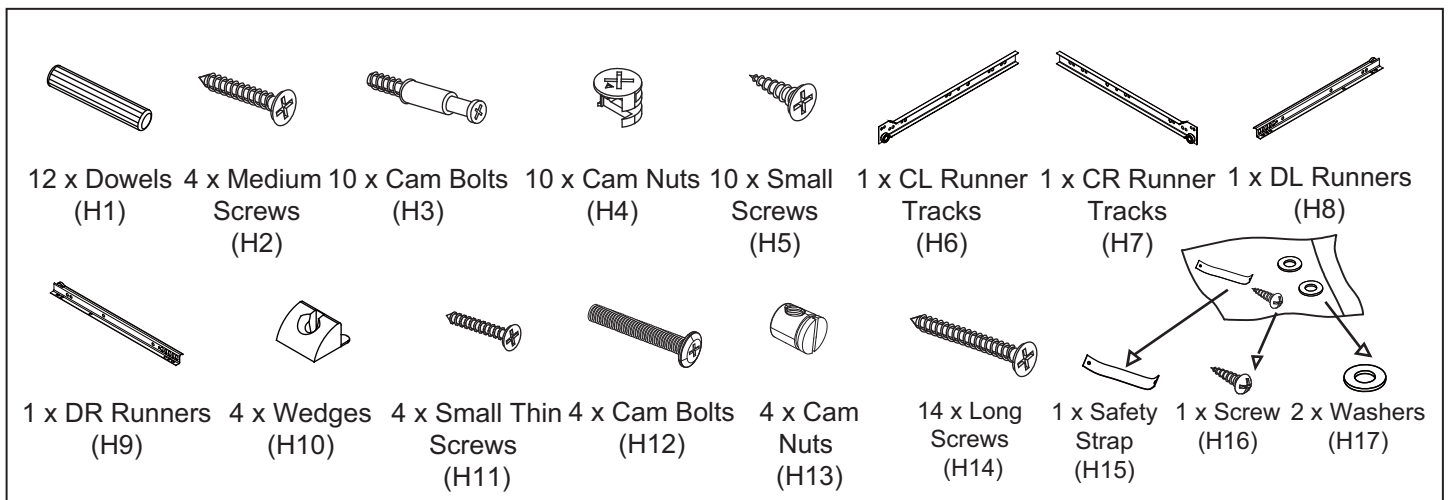
## Other tools you need

Flat head screwdriver;  
Phillips head screwdriver;

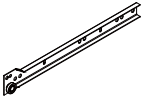
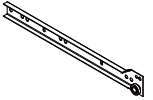




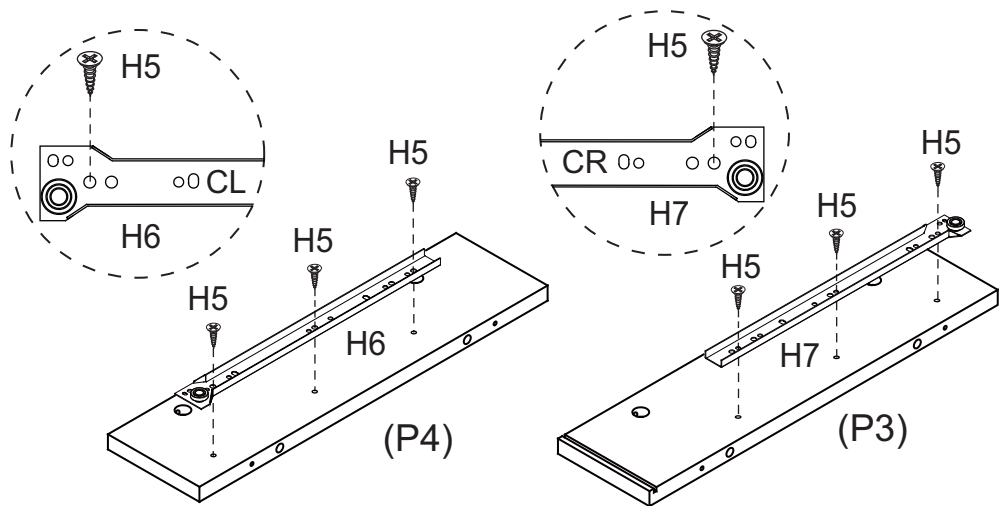
## Parts list

**Box 1:** Top Panel (P1); Left Side Panel (P2); Right Side Panel (P3); Divider (P4); Bottom Panel (P5); Back Panel (P6); 2 x Legs (P7); Rail (P8); Rail (P9); Drawer Front (P10); Left Drawer Side (P11); Right Drawer Side (P12); Drawer Base (P13); Drawer Back (P14); Hardware Pack;



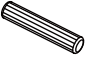


# Step 1

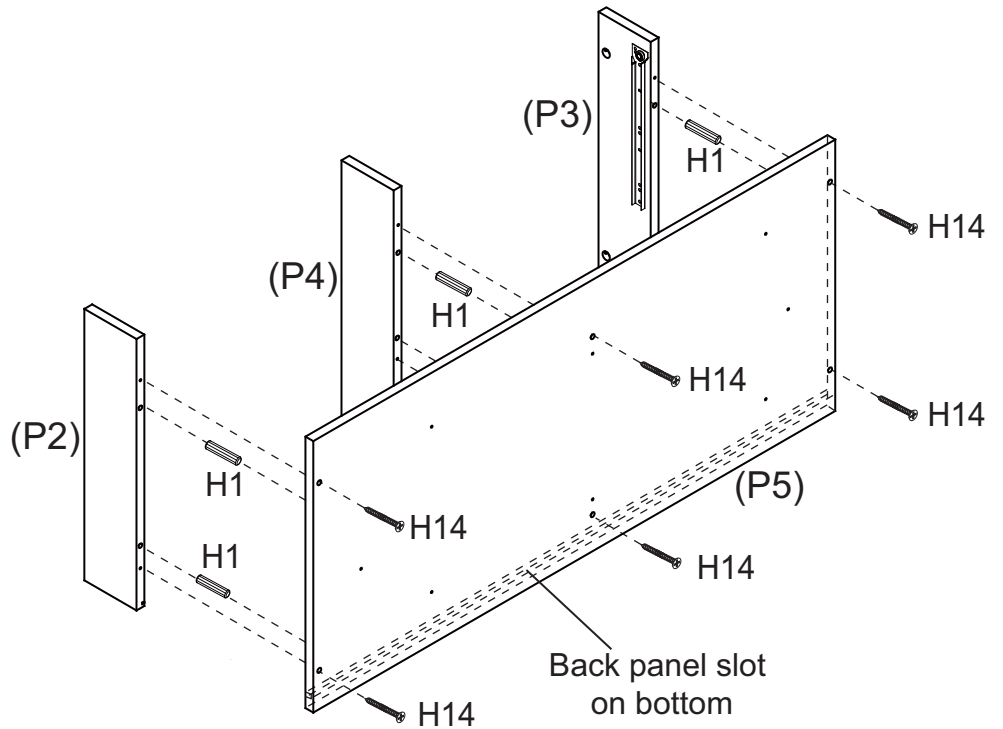
You will need	
	
1 x CL Runner Tracks (H6)	1 x CR Runner Tracks (H7)
	
6 x Small Screws (H5)	Phillips head screwdriver



Attach 1 x CL Runner Tracks (H6) to Divider (P4) with 3 x Small Screws (H5).  
Attach 1 x CR Runner Tracks (H7) to Right Side Panel (P3) with 3 x Small Screws (H5).

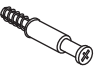

# Step 2

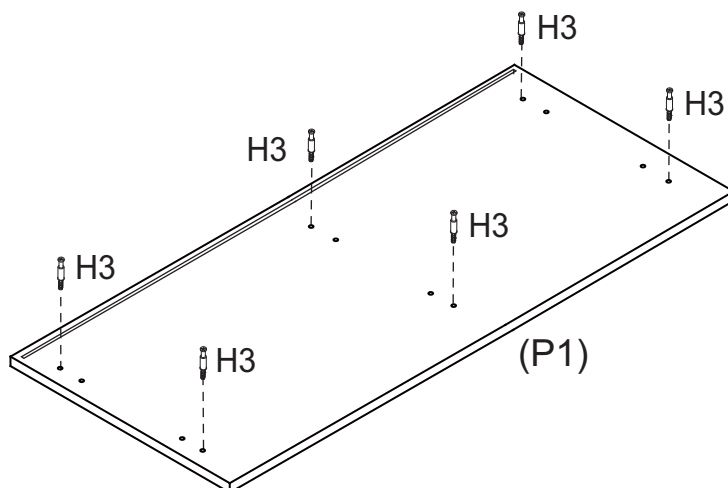
You will need	
	
6 x Dowels (H1)	6 x Long Screws (H14)
	
Phillips head screwdriver	



Insert 6 x Dowels (H1) into the holes of Side Panels (P2, P3) and Divider (P4).  
Attach Side Panels (P2, P3) and Divider (P4) to Bottom Panel (P5) with 6 x Long Screws (H14).




# Step 3

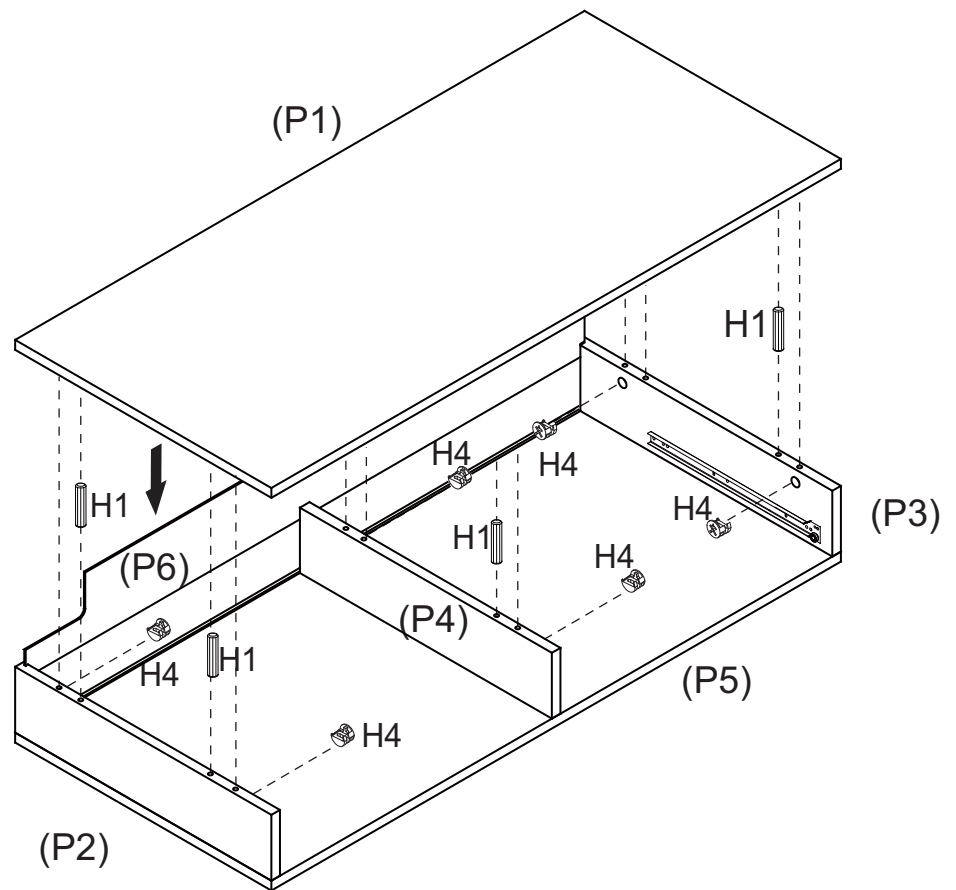
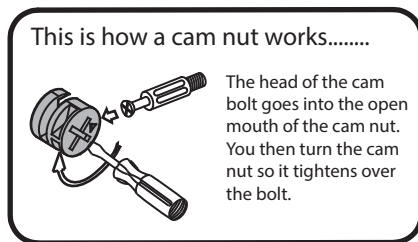
You will need	
	
6 x Cam Bolts (H3)	Phillips head screwdriver



Attach 6 x Cam Bolts (H3) into Top Panel (P1) using a Phillips head screwdriver.

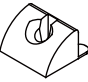
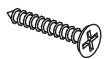

## Step 4

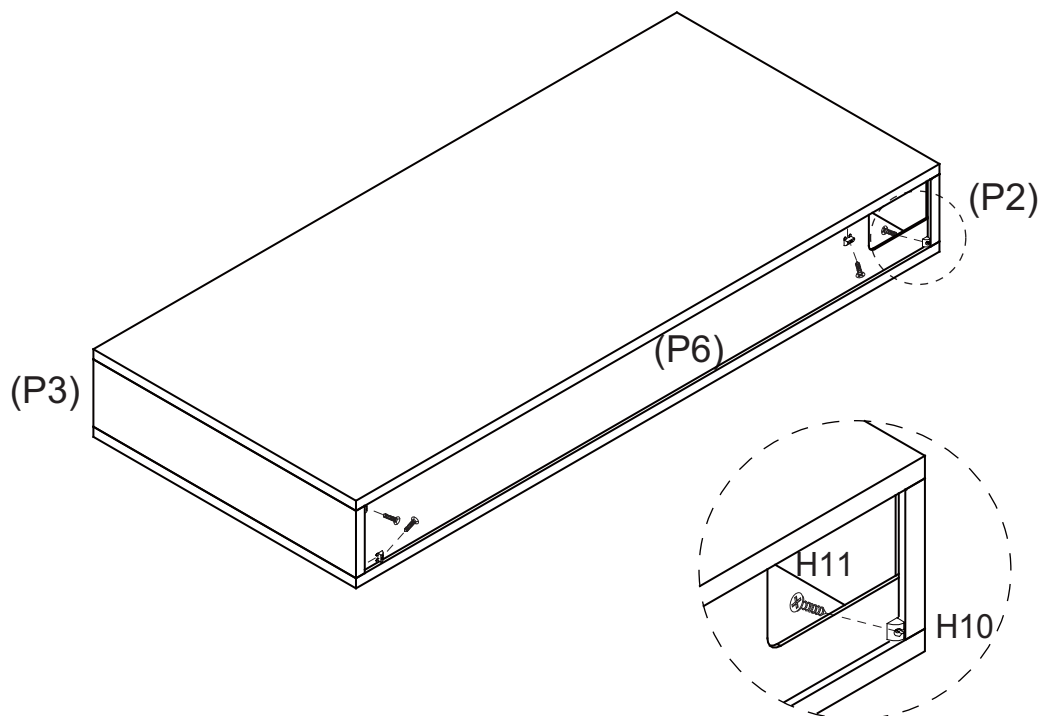
You will need	
	
6 x Dowels (H1)	6 x Cam Nuts (H4)
	
Flat head screwdriver	



Put Back Panel (P6) into the groove of Side Panels (P2, P3) and Bottom Panel (P5).  
 Insert 6 x Dowels (H1) into Side Panels (P2, P3) and Divider (P4).  
 Insert 6 x Cam Nuts (H4) into the holes of Side Panels (P2, P3) and Divider (P4).  
 Rotate the cam nuts so the arrows point towards the incoming cam bolts.  
 Attach Top Panel (P1) and tighten the cam nuts.





## Step 5

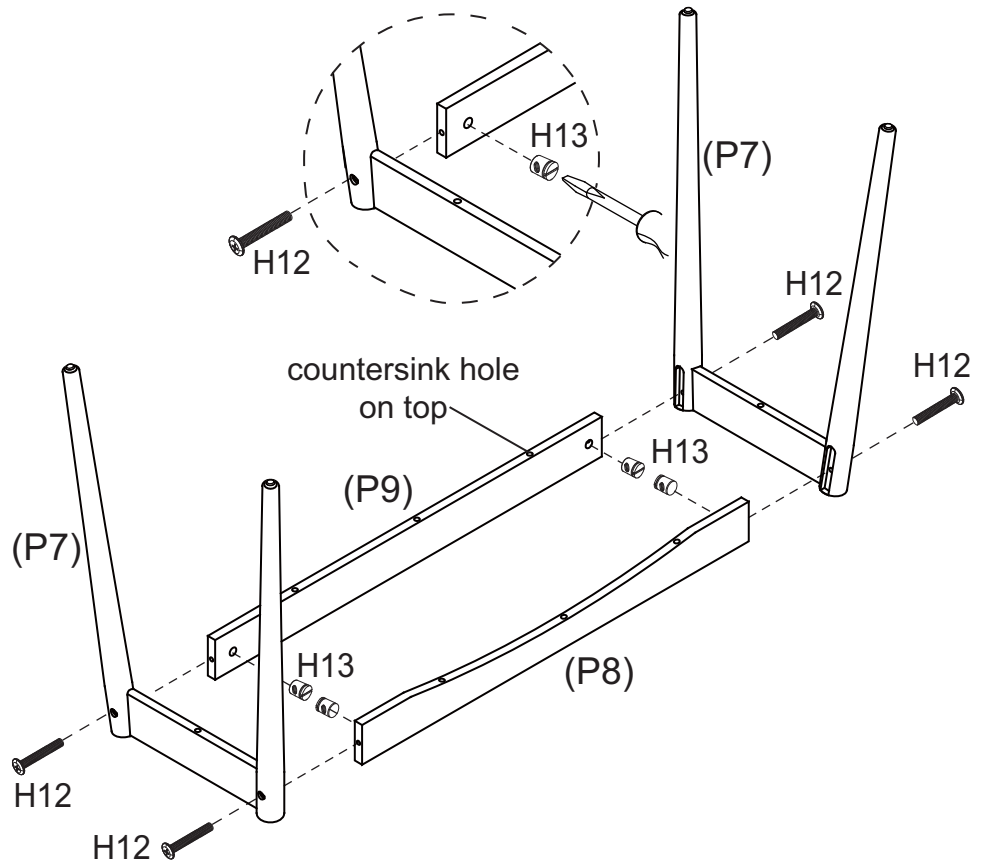
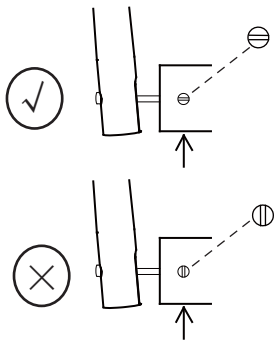
You will need	
	
4 x Wedges (H10)	4 x Small Thin Screws (H11)
	
Phillips head screwdriver	



Secure Back Panel (P6) in place with 4 x Wedges (H10) using 4 x Small Thin Screws (H11).



## Step 6

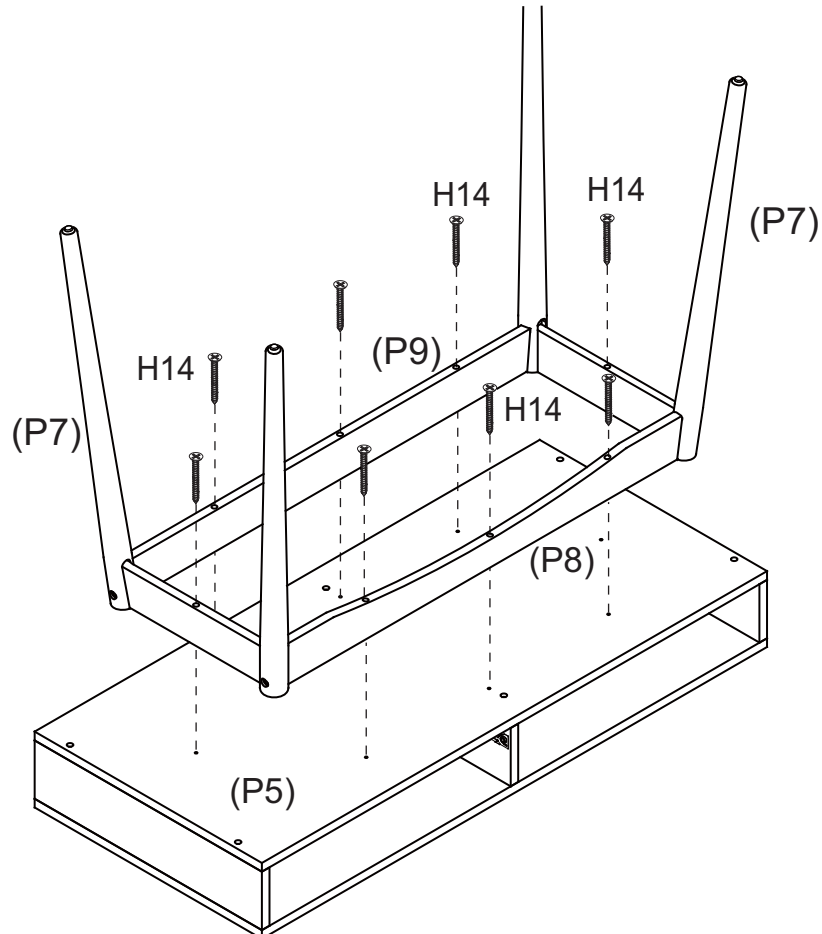
You will need	
	
4 x Cam Bolts (H12)	4 x Cam Nuts (H13)
	
Phillips head screwdriver	Flat head screwdriver



Push 4 x Cam Bolts (H12) through Legs (P7) and attach with Rails (P8, P9) using 4 x Cam Nuts (H13) and a Flat head screwdriver. Tighten with Phillips head screwdriver.

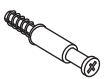

## Step 7

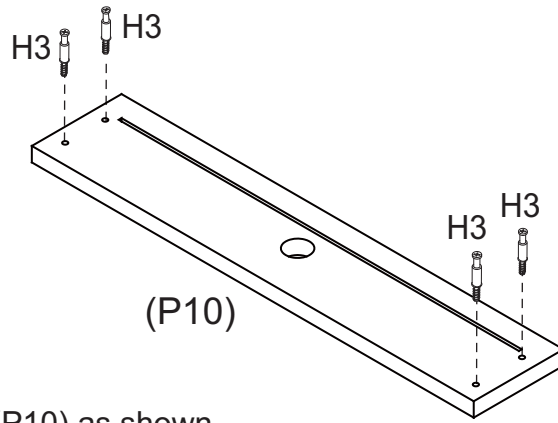
You will need	
	
8 x Long Screws (H14)	Phillips head screwdriver



Attach Legs (P7) and Rails (P8, P9) to Bottom Panel (P5) with 8 x Long Screws (H14).



## Step 8

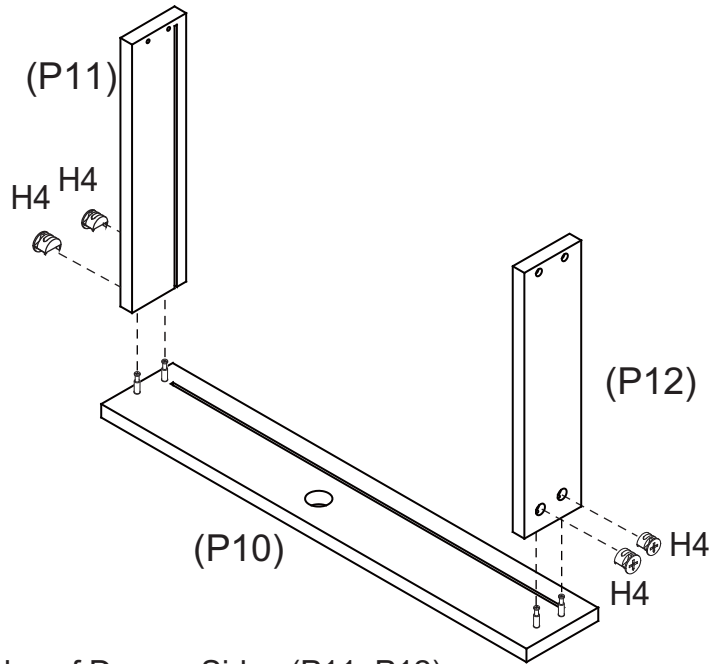
You will need	
	
4 x Cam Bolts (H3)	Phillips head screwdriver



Attach 4 x Cam Bolts (H3) to Drawer Front (P10) as shown.

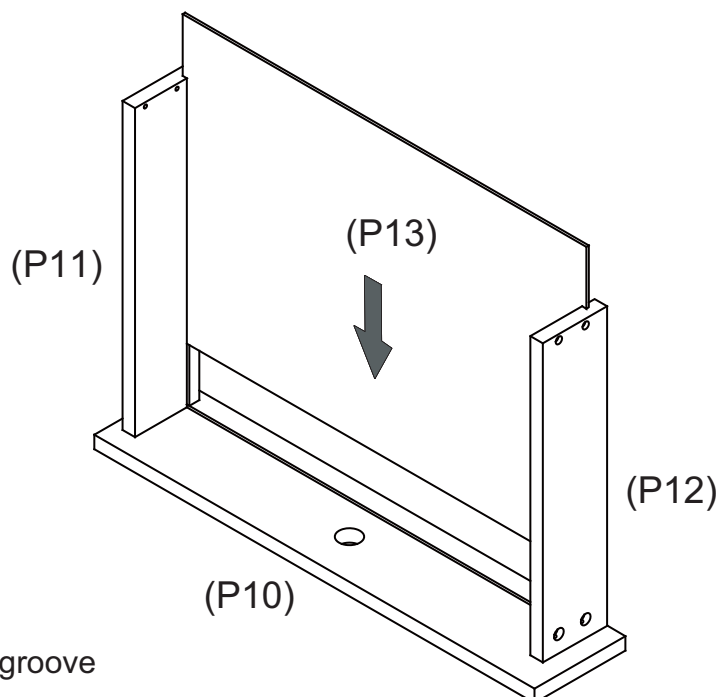
## Step 9

You will need	
	
4 x Cam Nuts (H4)	Flat head screwdriver



Insert 4 x Cam Nuts (H4) into the holes of Drawer Sides (P11, P12). Rotate the cam nuts so the arrows point towards the incoming cam bolts. Push Drawer Sides (P11, P12) into place and tighten the cam nuts.



## Step 10

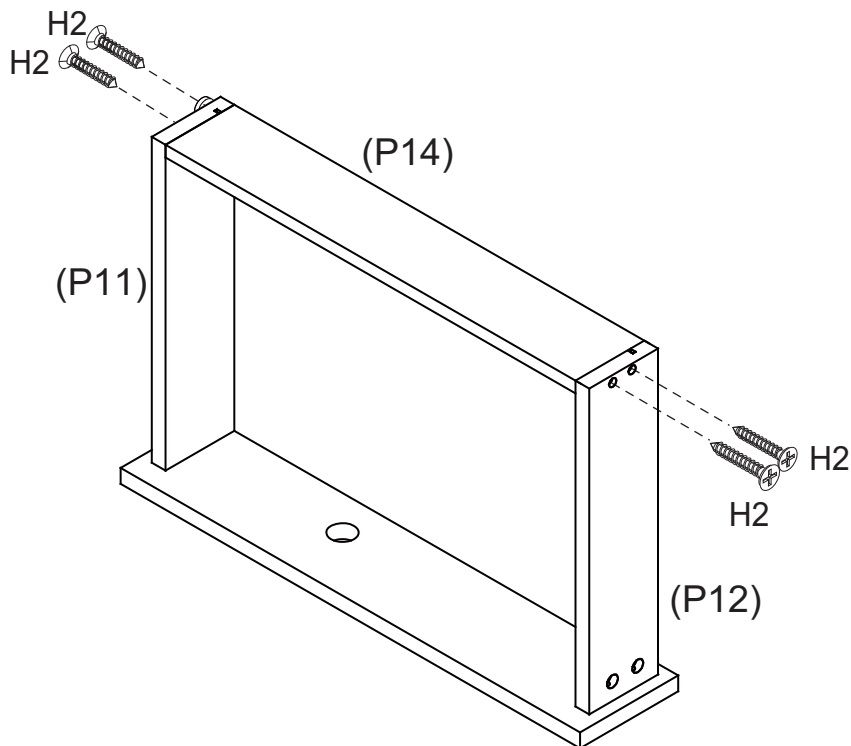


Slide Drawer Base (P13) into the groove in Drawer Sides (P11) and (P12).



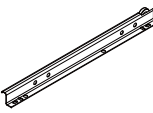
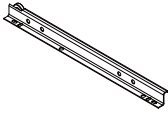
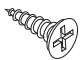

## Step 11

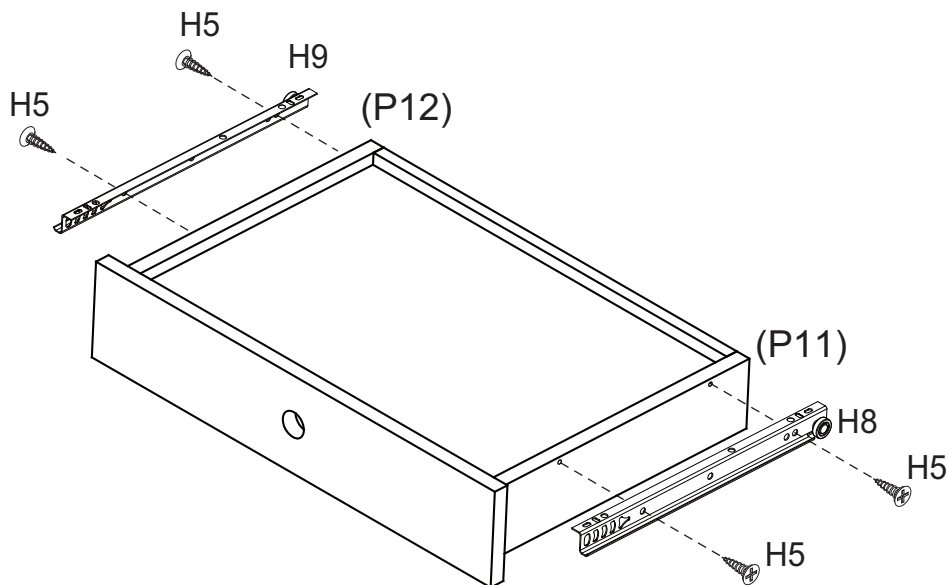
You will need	
	
4 x Medium Screws (H2)	Phillips head screwdriver



Attach Drawer Back (P14) to Drawer Sides (P11,P12) with 4 x Medium Screws (H2). Make sure that the groove lines up the whole way around the drawer.

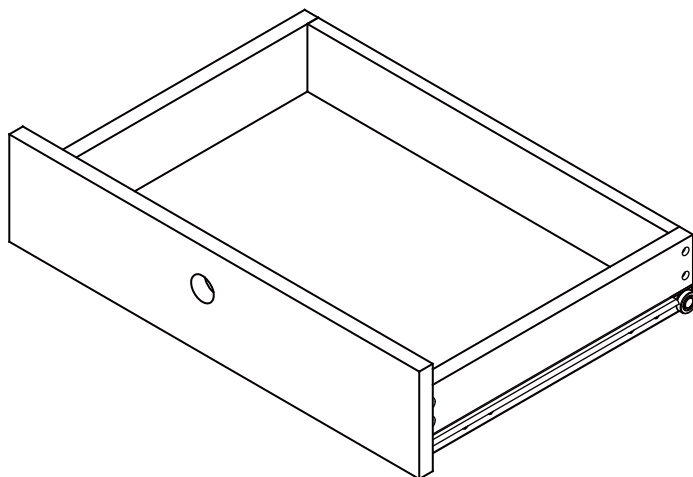
## Step 12

You will need	
	
1 x DL Runner (H8)	1 x DR Runner (H9)
	
4 x Small Screws (H5)	Phillips head screwdriver

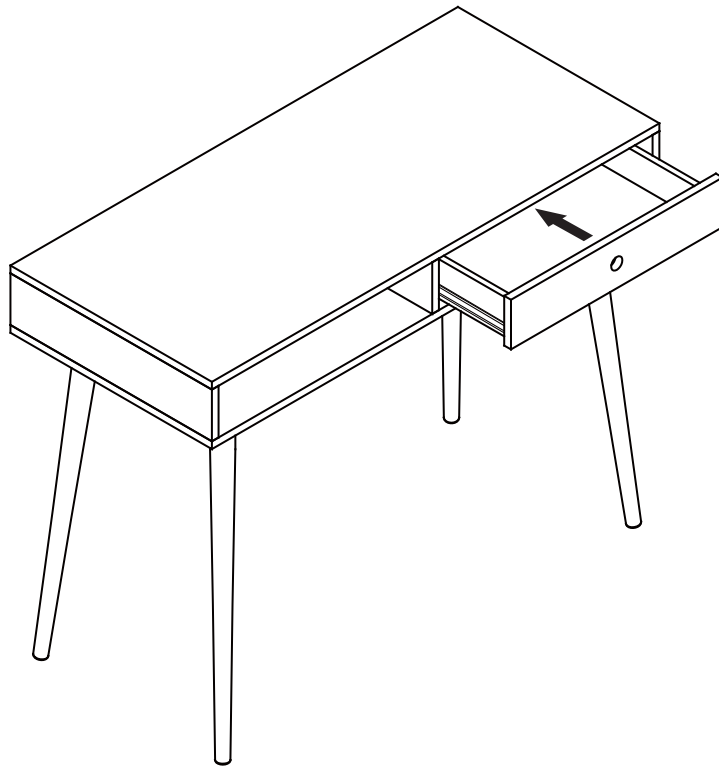


Attach 1 x DL Runner (H8) to Left Drawer Side (P11) and 1 x DR Runner (H9) to Right Drawer Side (P12) with 4 x Small Screws (H5).

## Step 13



## Step 14

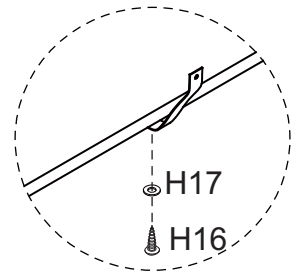
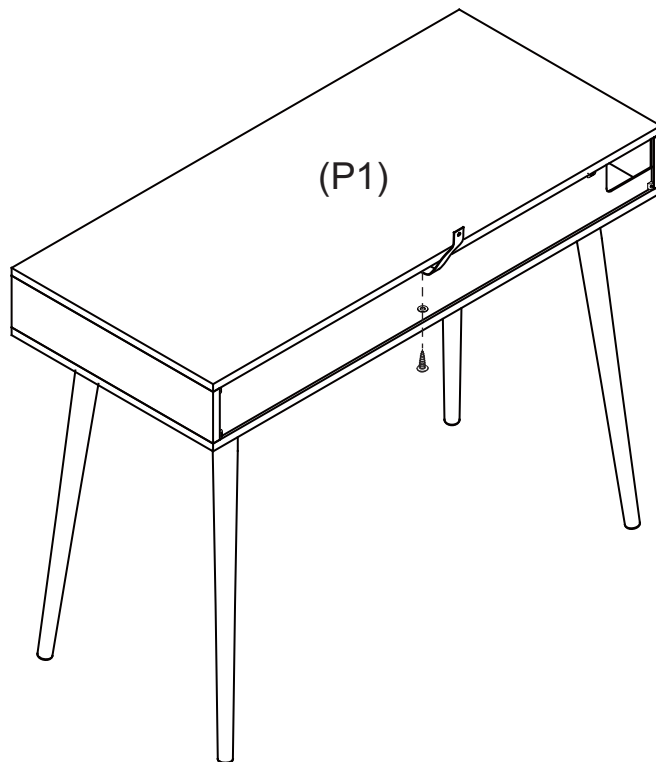


Put the drawer into the table.

## Step 15



You will need	
1 x Safety Strap (H15)	1 x Screw (H16)
1 x Washer (H17)	Phillips head screwdriver

We strongly advise that you use the wall safety strap provided to prevent the unit toppling

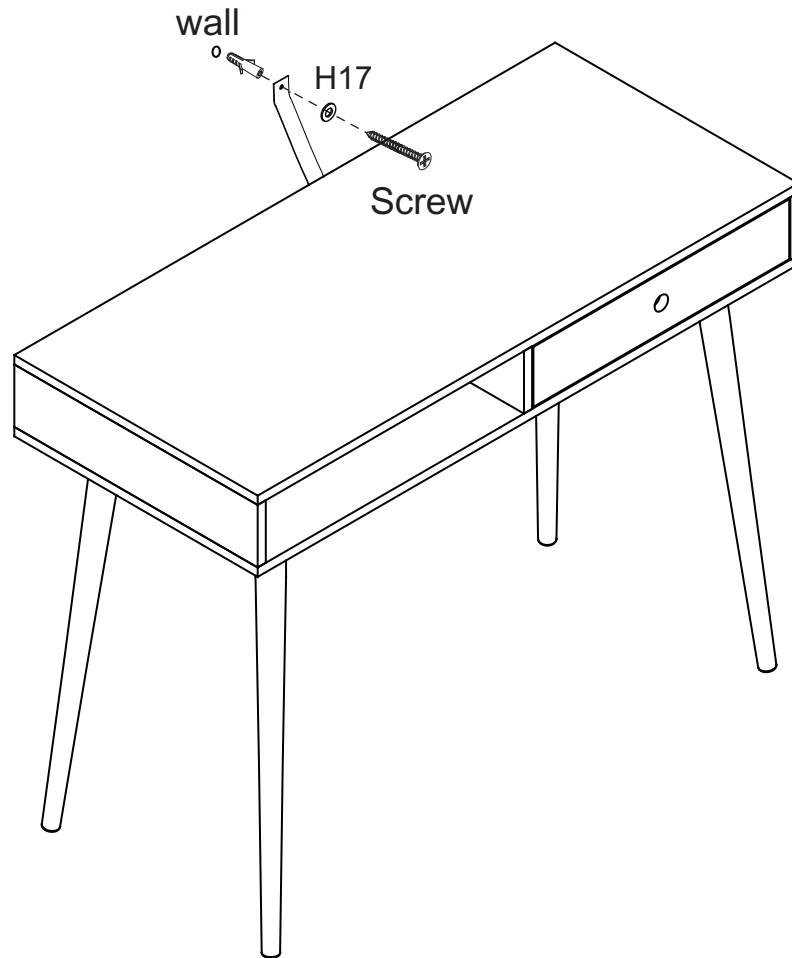


Use Screw (H16) and Washer (H17) to connect Safety Strap (H15) on Top Panel (P1).

# Step 16

You will need	
	
1 x Washer (H17)	Phillips head screwdriver
Screw and Wall Plug which are not provided. Please use appropriate fixtures for your wall.	

Seek advice from a qualified trades person on how to attach this safety strap to your specific wall.



Recommended weight capacity : 40KG.

## Job Complete!

In the interest of our environment please dispose of all packaging thoughtfully.