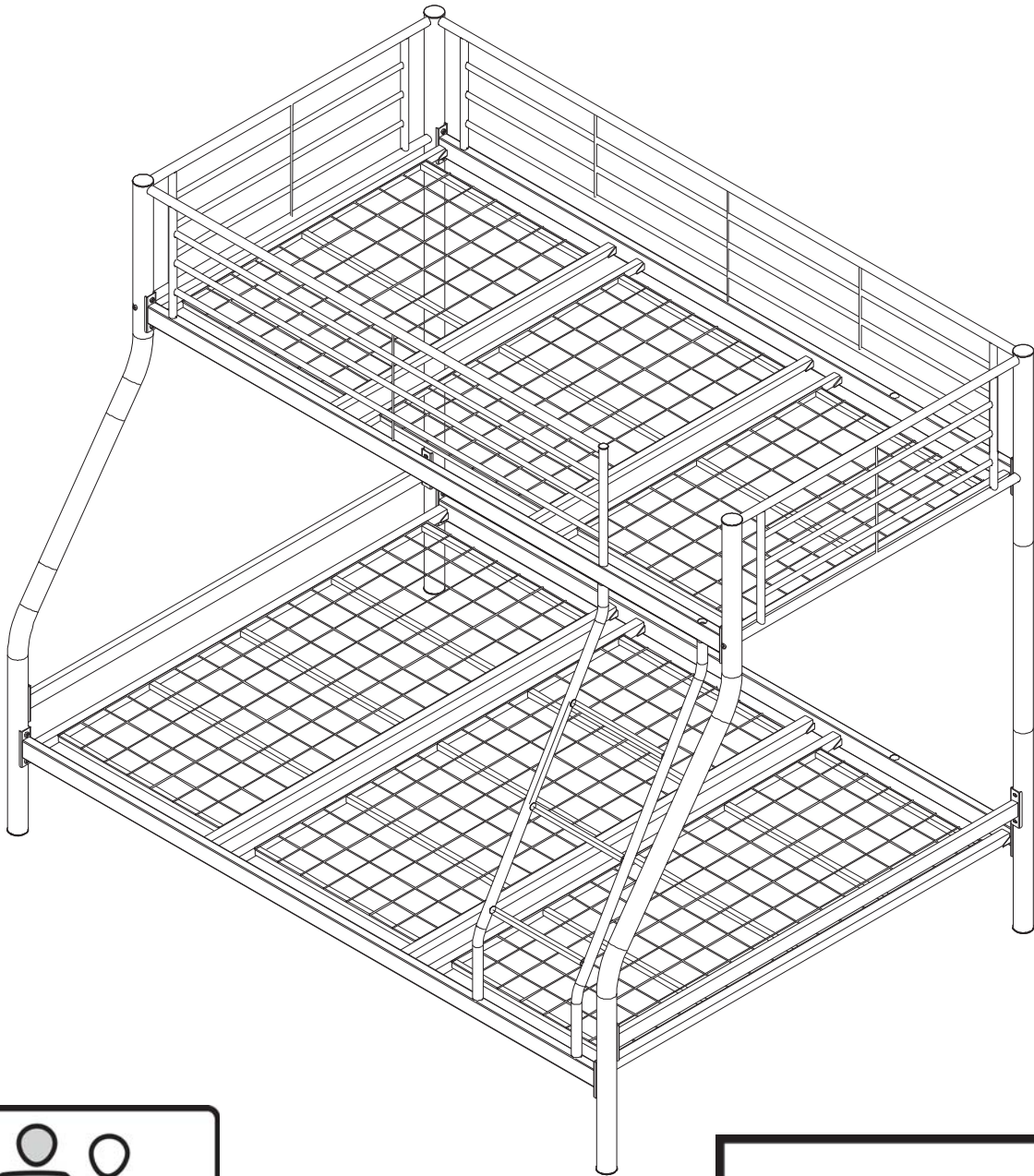


# Assembly Instructions

## **BOBBI**

## **BUNK**



Ver1.1



# WARNING

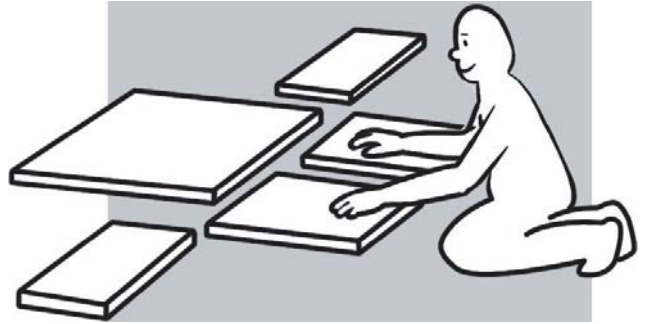
FAILURE TO FOLLOW THESE BASIC STEPS CAN LEAD TO DAMAGE THAT IS NOT COVERED BY YOUR WARRANTY

1



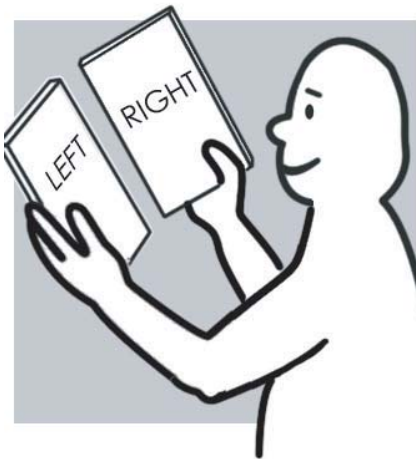
Read Instructions carefully. Check no parts are missing.

2



Lay out all of the components on a soft surface as if you were preparing to do a jigsaw puzzle.

3



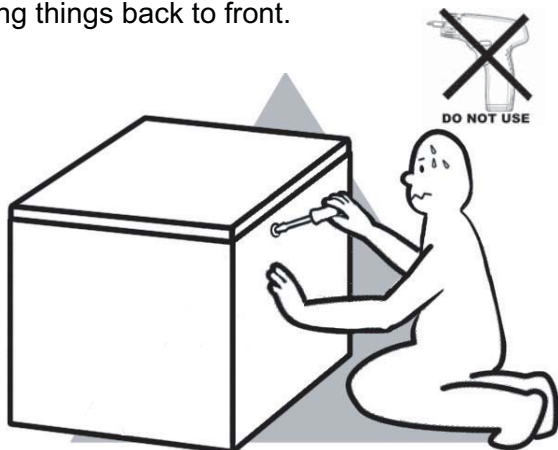
Carefully identify each component, especially those that are similar. The most common mistake is getting things back to front.

4



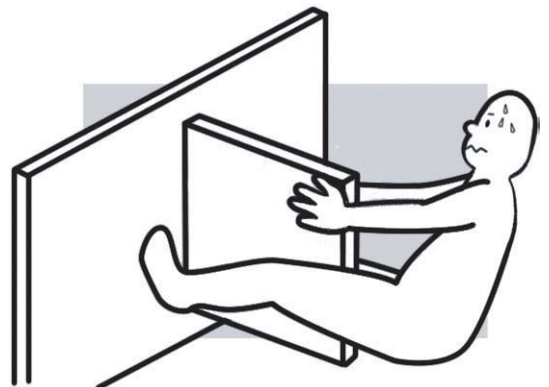
Separate and identify each component from the hardware pack and rest each one in its proper location before fastening.

5



**DO NOT** fully tighten screws (leave slightly loose). When the item is fully assembled tighten the screws - but do not over tighten.

6



If glue is required **DO NOT** set until you are certain that the parts belong together.

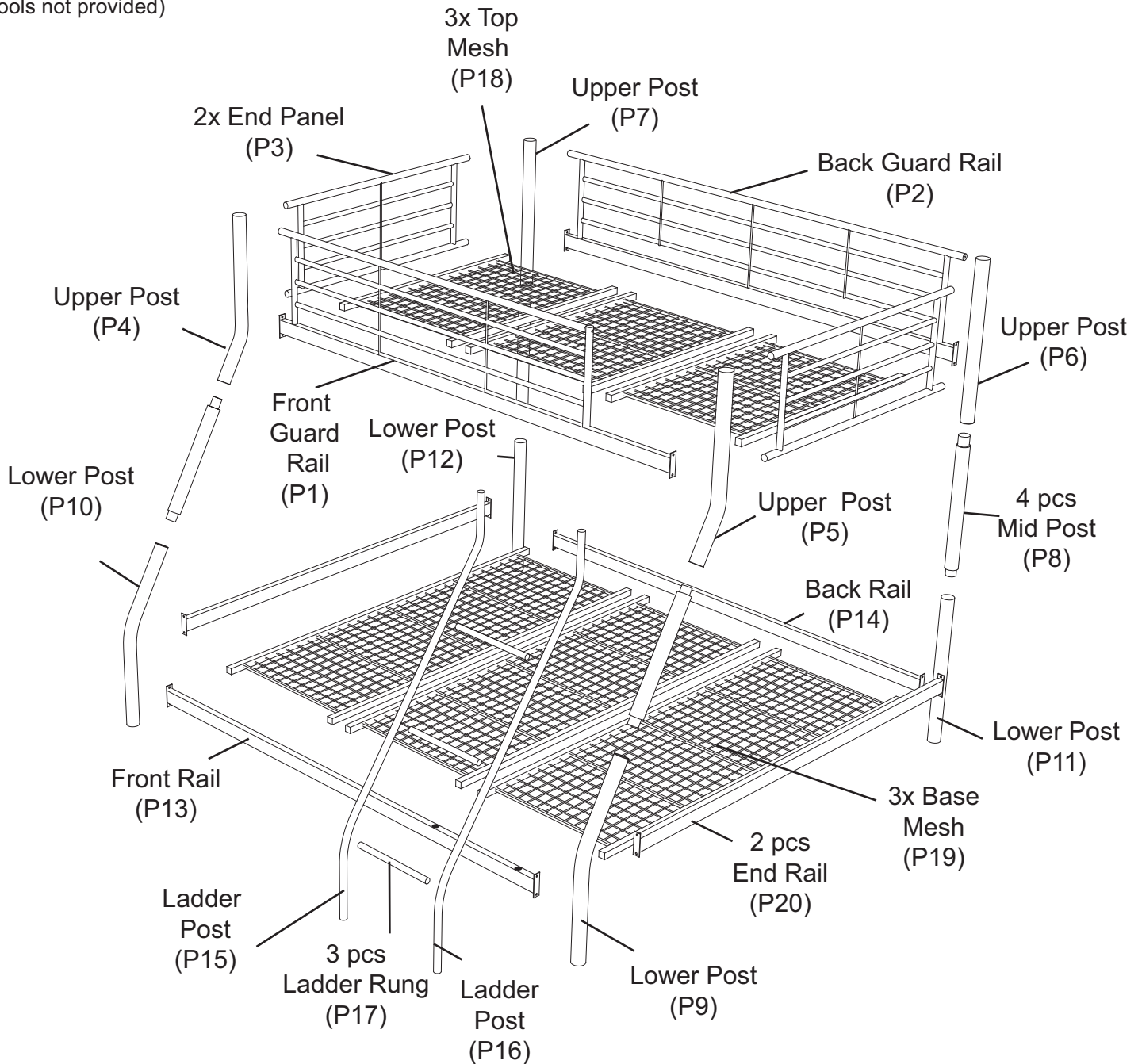
# What you Need

## To Assemble the Body



Mallet

(Tools not provided)



4x Round End Cap (H1)



67x Bolt M6 x 15MM (H2)



6x Bolt M6 x 40MM (H3)



4x Round Stoppers (H4)



2x Allen Key(M4) (H5)

Please make sure you have all these parts before you start.

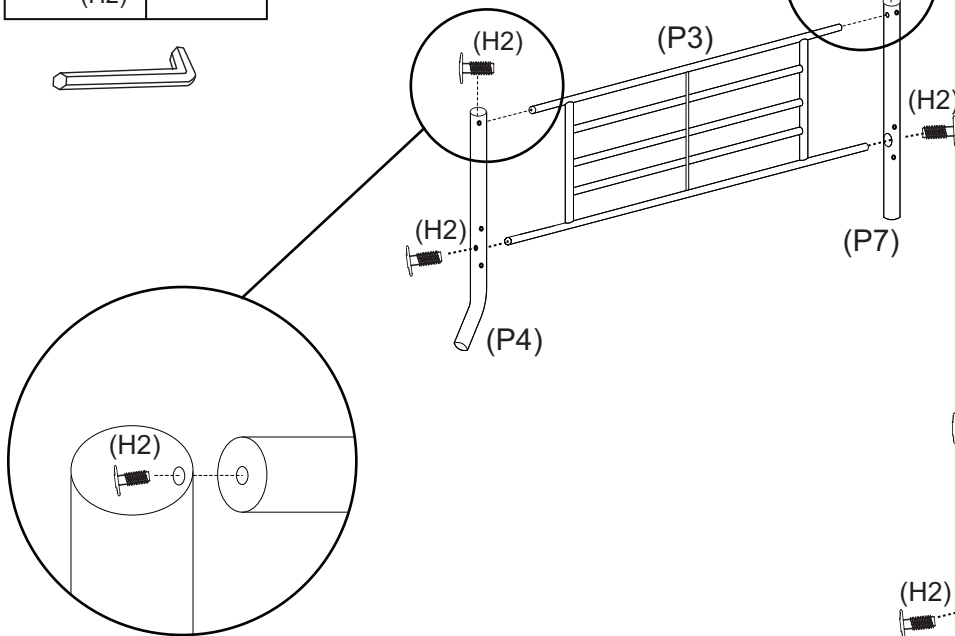
# Step 1

You will need:

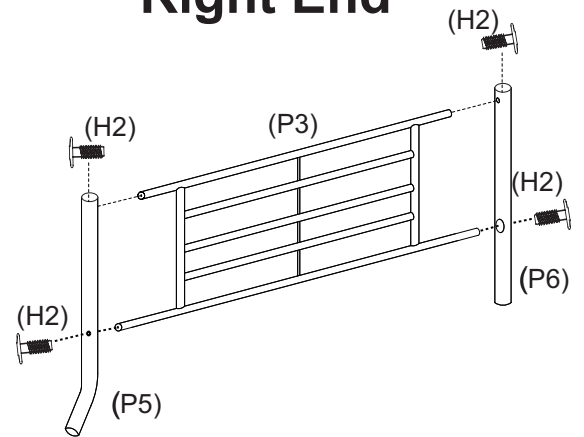
8x Bolt  
M6 x 15MM  
(H2)



## Left End



## Right End



Attach Upper Posts (P4 & P7) to End Panel (P3) using 4x Bolts (H2). Repeat same for Right End as shown.

# Step 2

You will need:

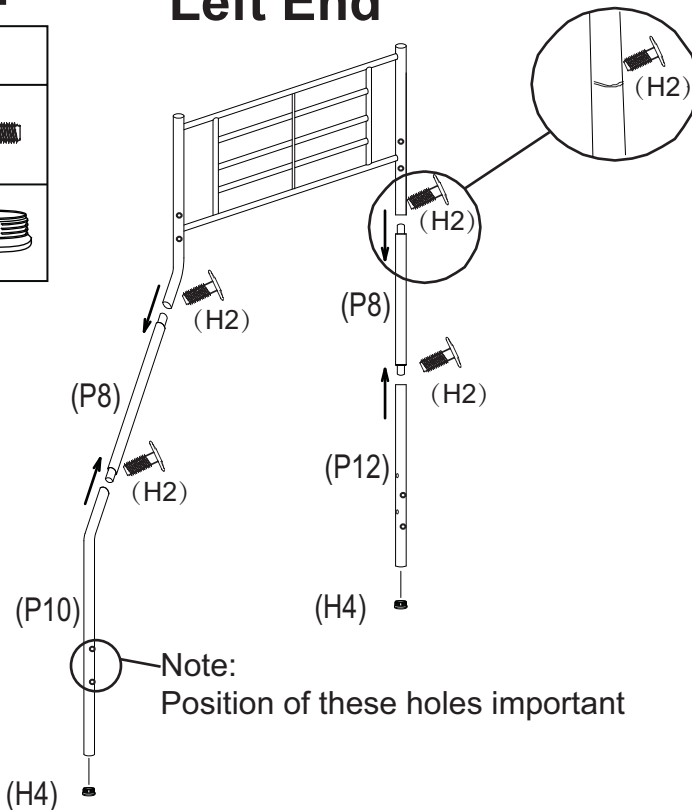
8x Bolt  
M6x 15MM  
(H2)



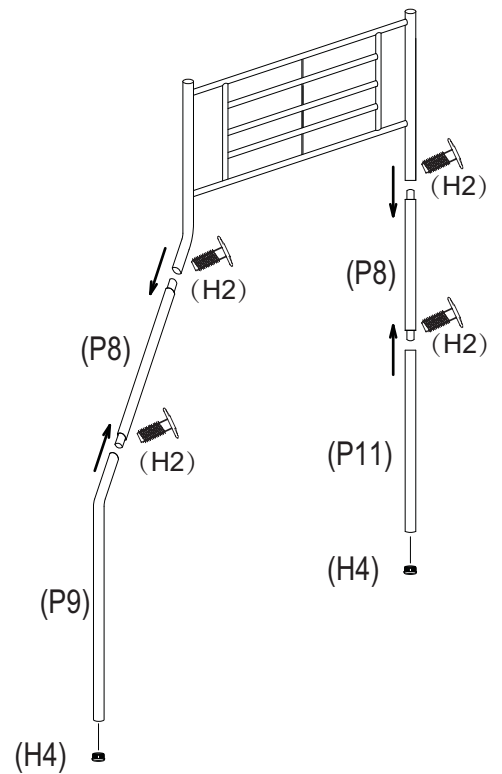
4 x Round  
Stoppers  
(H4)



## Left End



## Right End

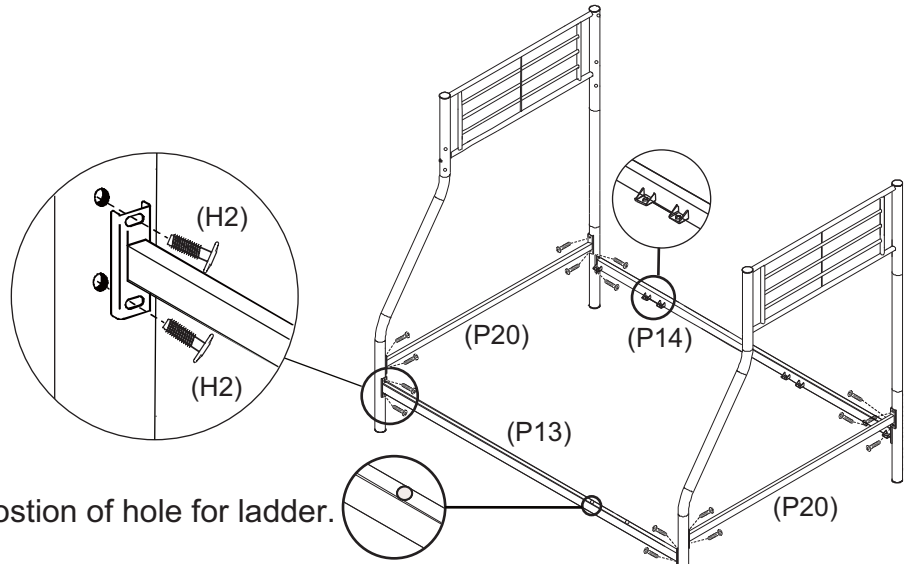


Connect Lower Post (P10) and Mid Post (P8) to the Upper Post as shown. Attach using 2x Bolts (H2). Repeat for each Post as shown. Insert 4x Round Stopper (H4) to Lower Posts (P9 & P10 & P11 & P12).

# Step 3

You will need:

16x Bolt  
M6x 15MM  
(H2)



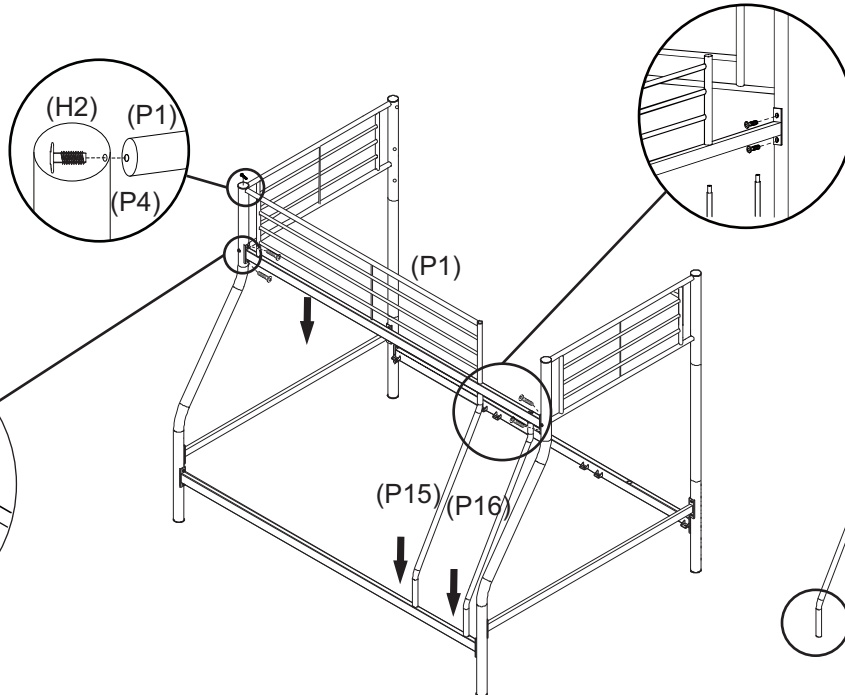
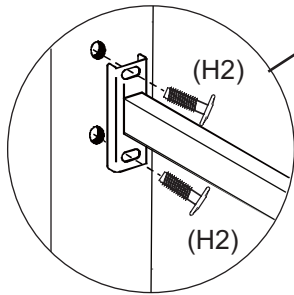
Note: Position of hole for ladder.

Connect 2x End Rails (P20) to the Lower Posts using 8x Bolts (H2).  
Attach Front Rail (P13) and Back Rail (P14) to the Lower Posts using 8x Bolts (H2).

# Step 4

You will need:

5x Bolt  
M6x 15MM  
(H2)

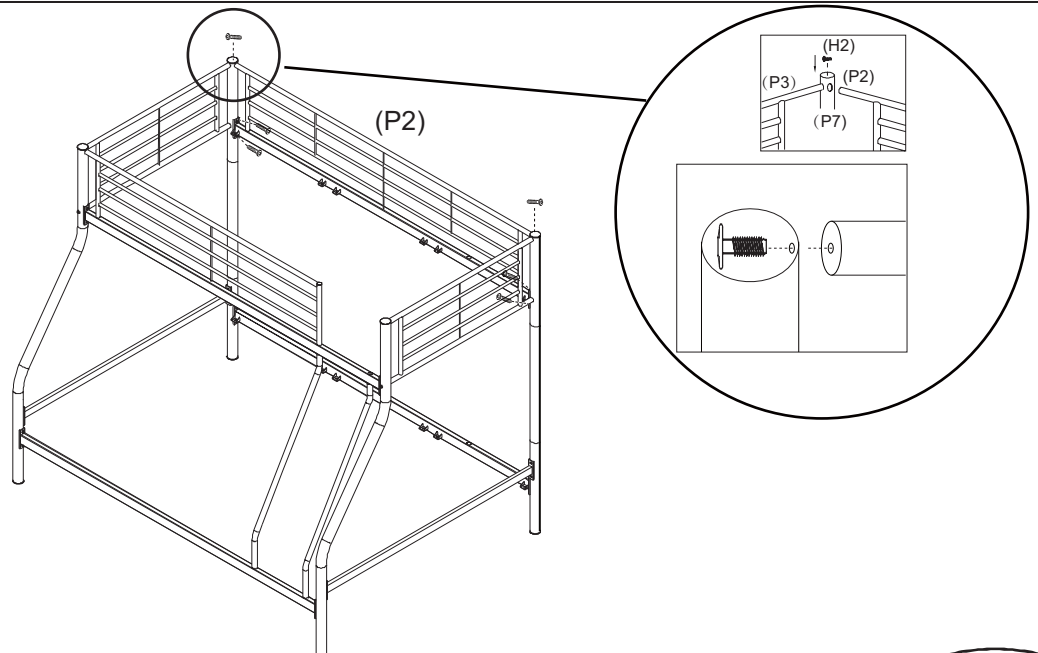
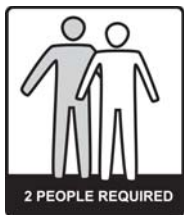


Insert Ladder Posts (P15 & P16) into the holes on the Front Rail. Then lower Front Guard Rail (P1) onto ladder posts and attach Front Guard Rail to Upper Posts using 5x Bolts (H2).

# Step 5

You will need:

6x Bolt  
M6x 15MM  
(H2)

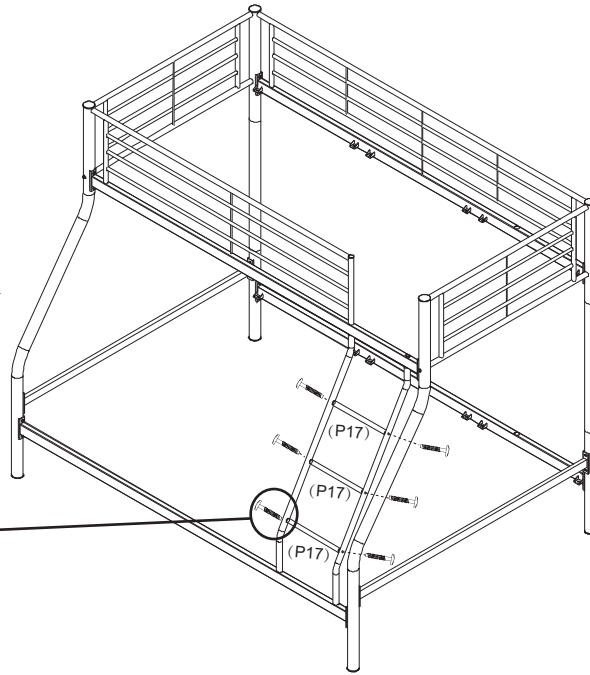
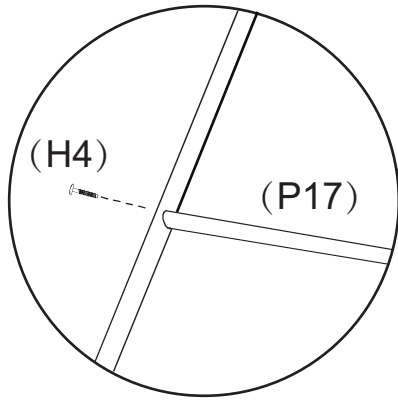
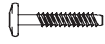


Attach Back Guard Rail (P2) to the Upper Posts using 6x Bolts (H2).

# Step 6

You will need:

6x Bolt  
M6x 40MM  
(H4)

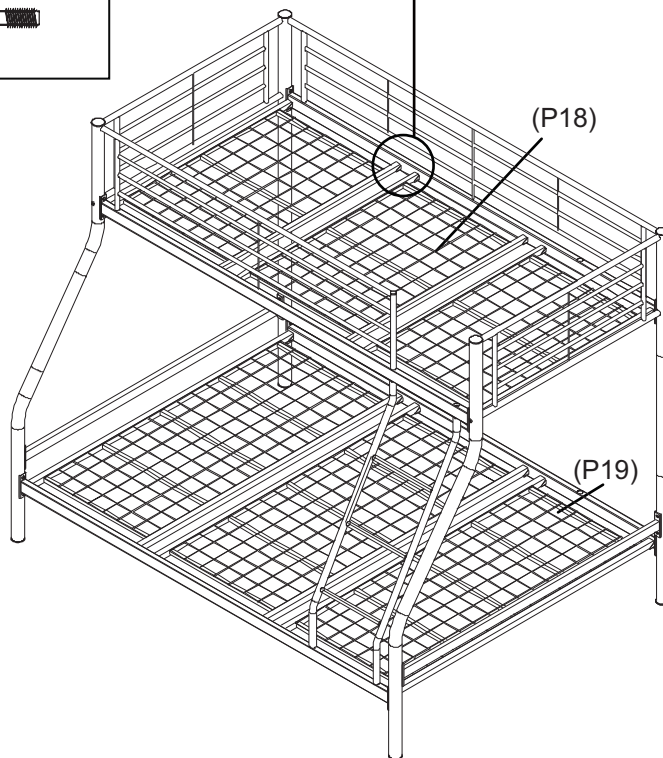
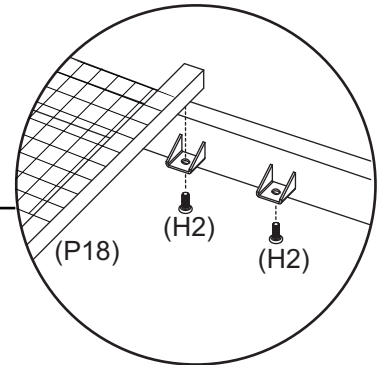


Connect 3x Ladder Rungs (P17) to the Ladder Side Post (P15 & P16) using 6x Bolts (H4).

# Step 8

You will need:

24x Bolts  
M6 x 15MM  
(H2)



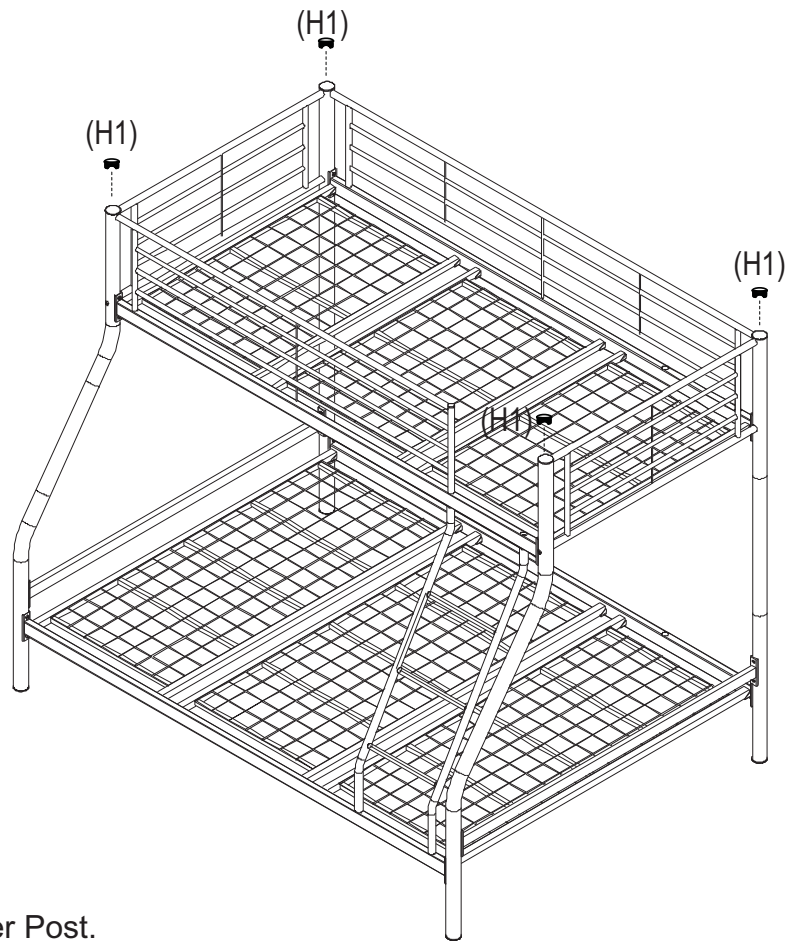
Locate the Top Mesh Base (P18) into the Guard Rails and Tighten using 12x Bolts (H2) as shown.

Locate the Bottom Mesh Base (P19) into the Front Rail and Back Rails and tighten using 12x Bolts (H2) as shown.

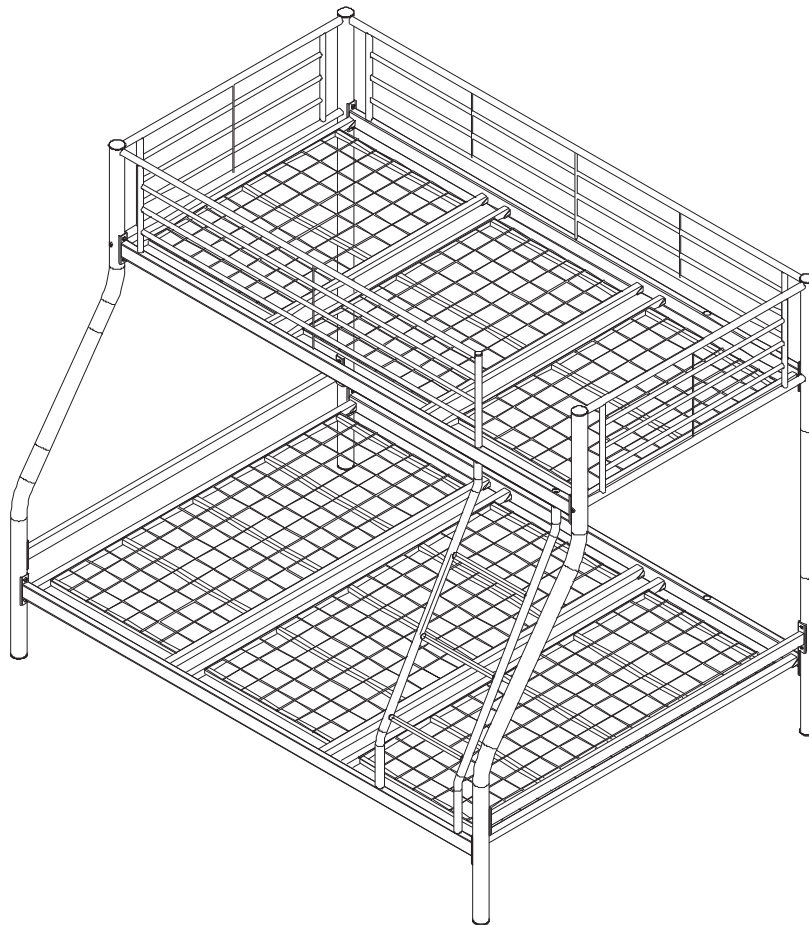
# Step 10

You will need:

4x Round  
End Cap  
(H1)



Fully tighten all bolts.  
Insert 4x Round End Cap (H1) to the Upper Post.



## The job is now complete!

In the interest of our environment  
Please dispose of all packaging thoughtfully.