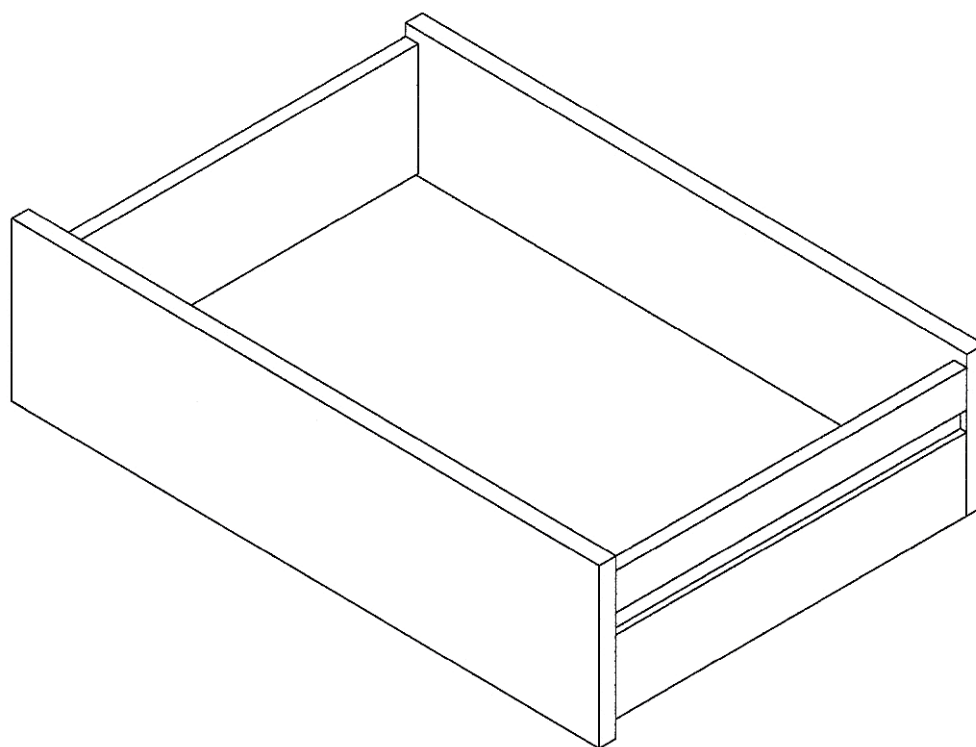


Assembly Instructions

HOME ROBE INSERT

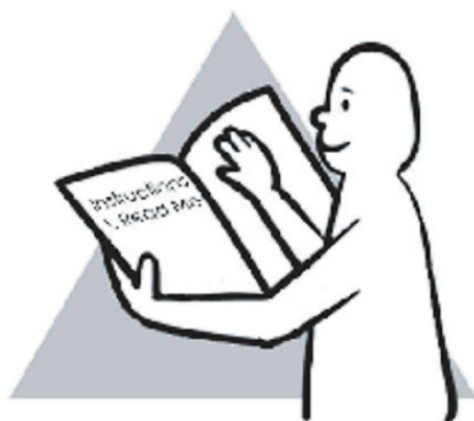
2 Drawer Small Pack



WARNING

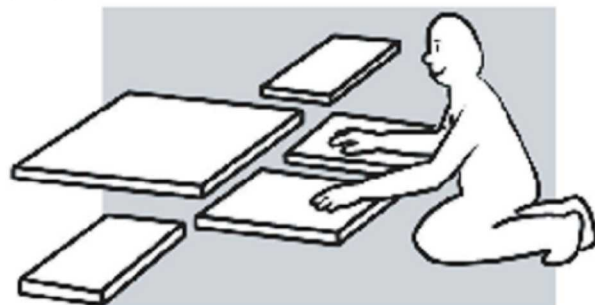
FAILURE TO FOLLOW THESE BASIC STEPS CAN LEAD TO DAMAGE THAT IS NOT COVERED BY YOUR WARRANTY

1



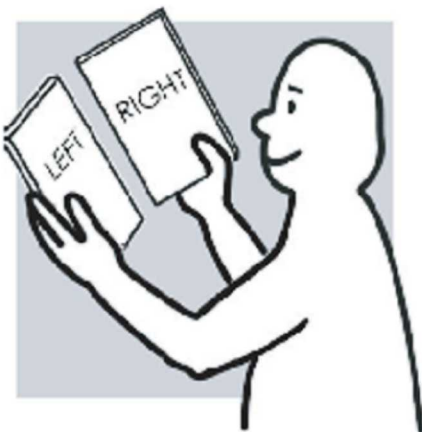
Read Instructions carefully.
Check no parts are missing.

2



Lay out all of the components on a soft surface as if you were preparing to do a jigsaw puzzle.

3



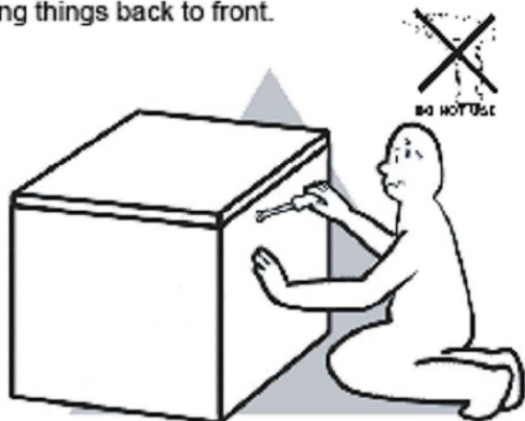
Carefully identify each component, especially those that are similar. The most common mistake is getting things back to front.

4



Separate and identify each component from the hardware pack and rest each one in its proper location before fastening.

5



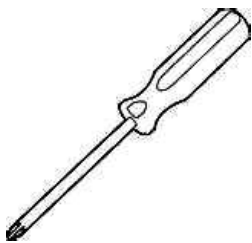
DO NOT fully tighten screws (leave slightly loose). When the item is fully assembled tighten the screws - but do not over tighten.

6



If glue is required **DO NOT** set until you are certain that the parts belong together.

WHAT YOU NEED



Philips Head Screwdriver
(Not Supplied)



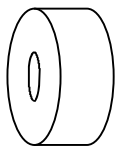
8 x 13mm C/S SCREWS



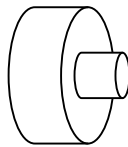
2 x Sets of 350mm DRAWERS
RUNNERS



8 x 20MM C/S SCREWS



8 x DRAWER SPACES



8 x DRAWER SPACES
SLEEVE

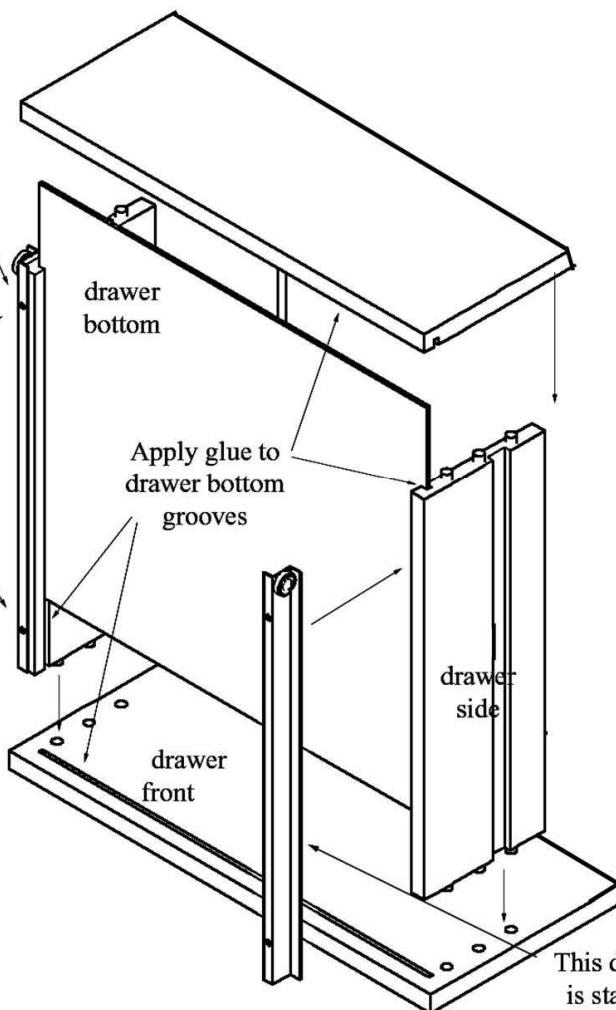


1 x PVA GLUE

STEP 1

This drawer runner is stamped "DR".

13mm
countersink
screw



This drawer runner is stamped "DL".

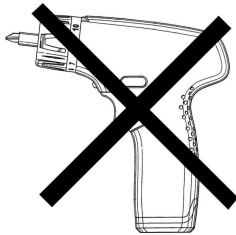


DO NOT USE

GLUE ALL DOWEL JOINTS!

Place the drawer side on to the back and front panel using the guide holes provided.

Screw in the runners to the bottom of the drawer as shown in picture.



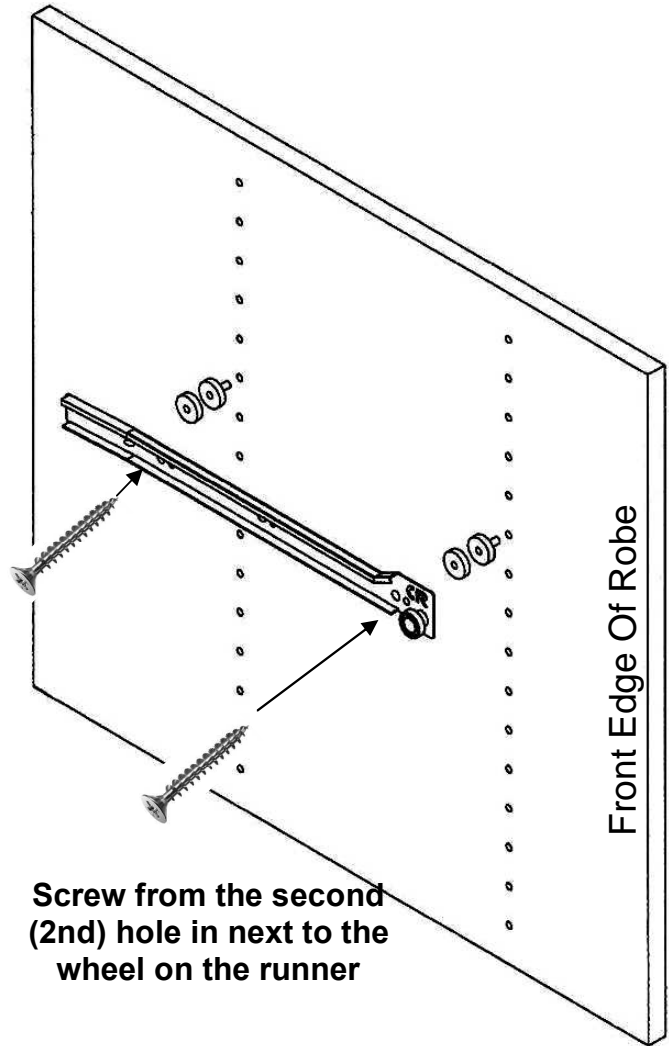
DO NOT USE

When attaching the drawer runner to the unit:

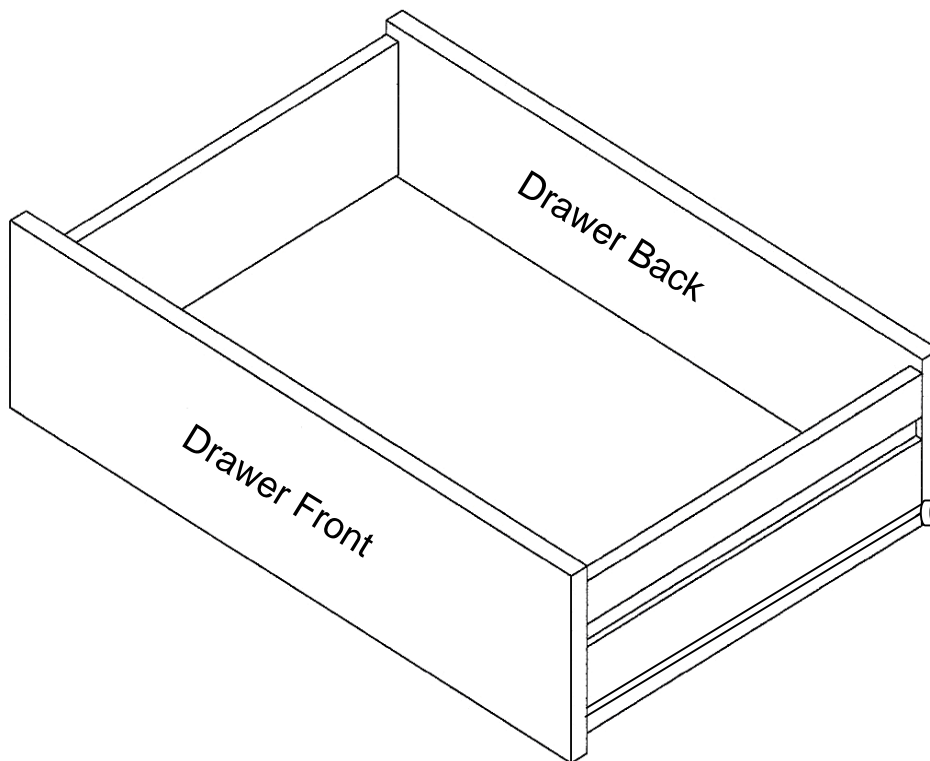
Insert DRAWER SPACER SLEEVE into the gable in your desired position then line up the DRAWER SPACER with the holes on the runner and use the 20mm C/S SCREW to fasten the runner to the SLEEVE attached to the gable.

Repeat for both sides

If positioning drawers above or below each other allow 6 guide holes above or below the drawer runner for the second drawer



Screw from the second (2nd) hole in next to the wheel on the runner



YOUR UNIT IS NOW COMPLETE

In the interest of our environment
Please dispose of all packaging thoughtfully.

