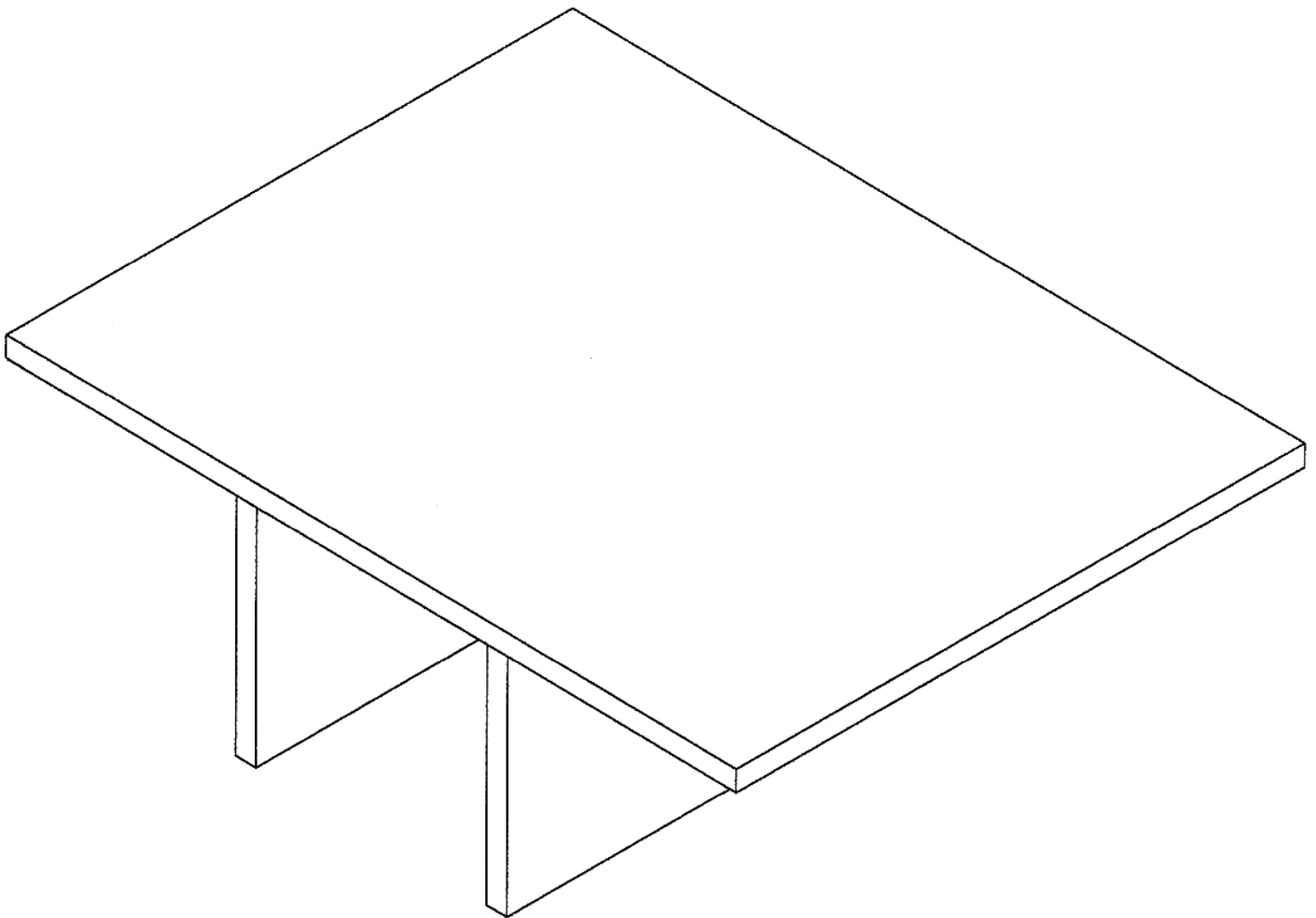


Assembly Instructions

HOME ROBE INSERT

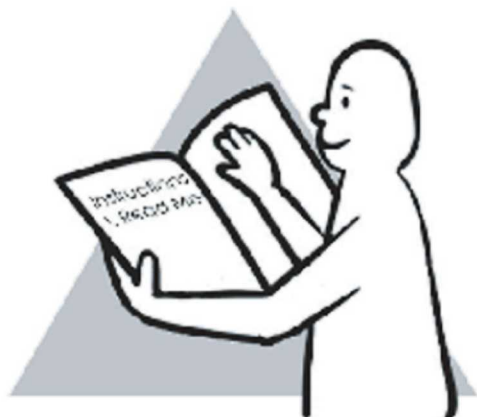
3 Cube Large



WARNING

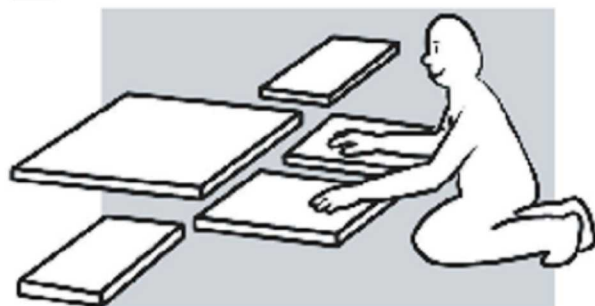
FAILURE TO FOLLOW THESE BASIC STEPS CAN LEAD TO DAMAGE THAT IS NOT COVERED BY YOUR WARRANTY

1



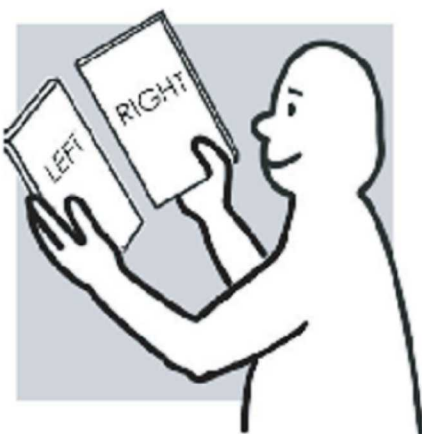
Read Instructions carefully. Check no parts are missing.

2



Lay out all of the components on a soft surface as if you were preparing to do a jigsaw puzzle.

3



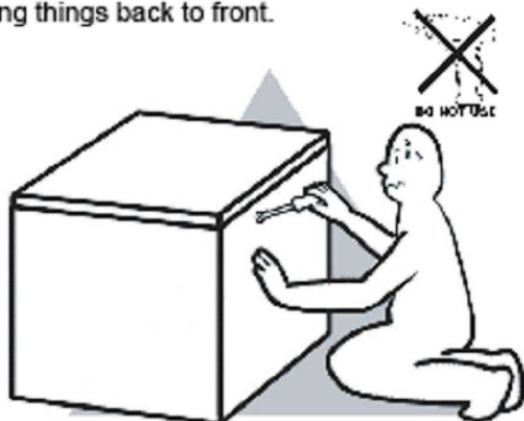
Carefully identify each component, especially those that are similar. The most common mistake is getting things back to front.

4



Separate and identify each component from the hardware pack and rest each one in its proper location before fastening.

5



DO NOT fully tighten screws (leave slightly loose). When the item is fully assembled tighten the screws - but do not over tighten.

6



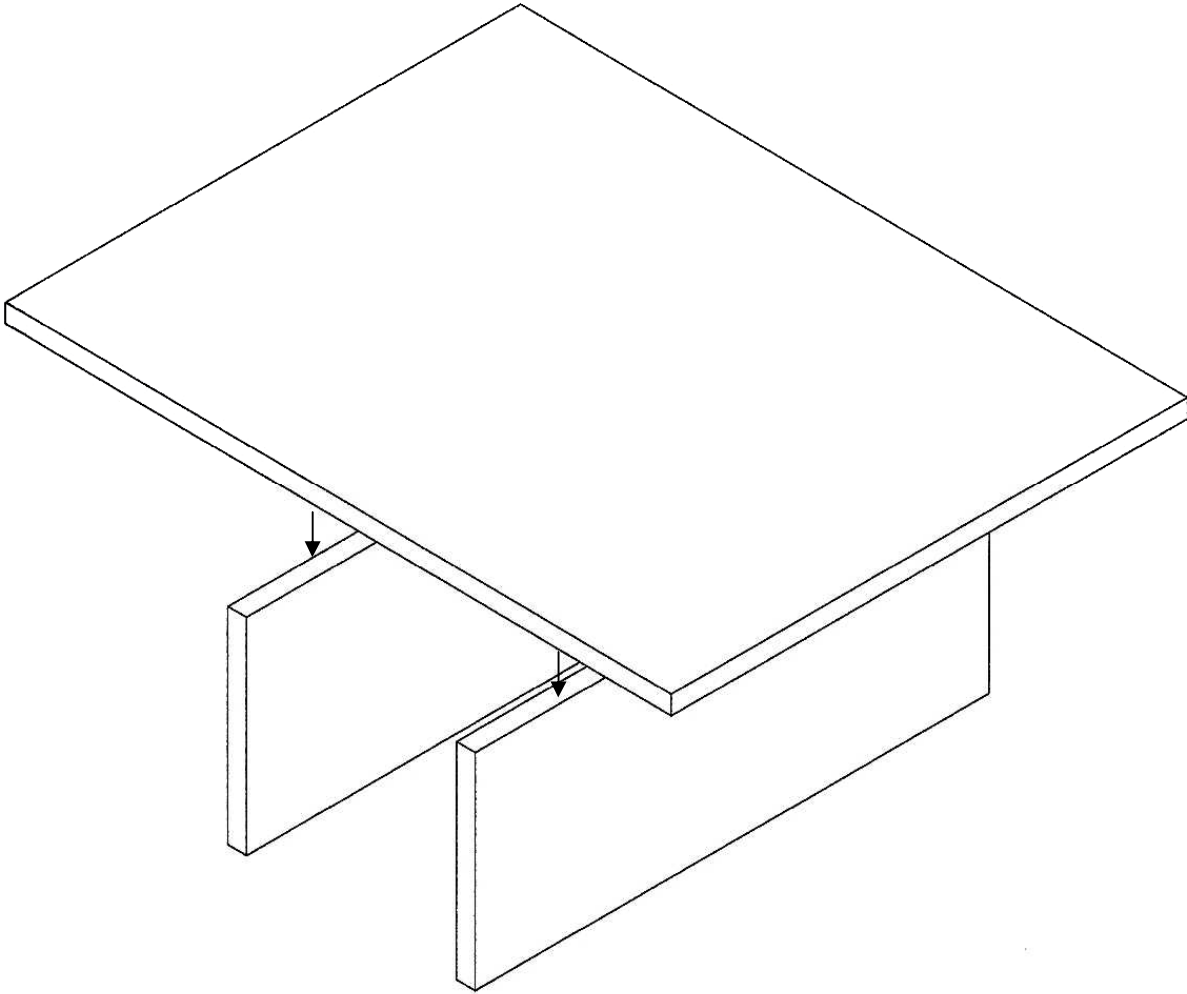
If glue is required **DO NOT** set until you are certain that the parts belong together.

WHAT YOU NEED



1 x PVA GLUE

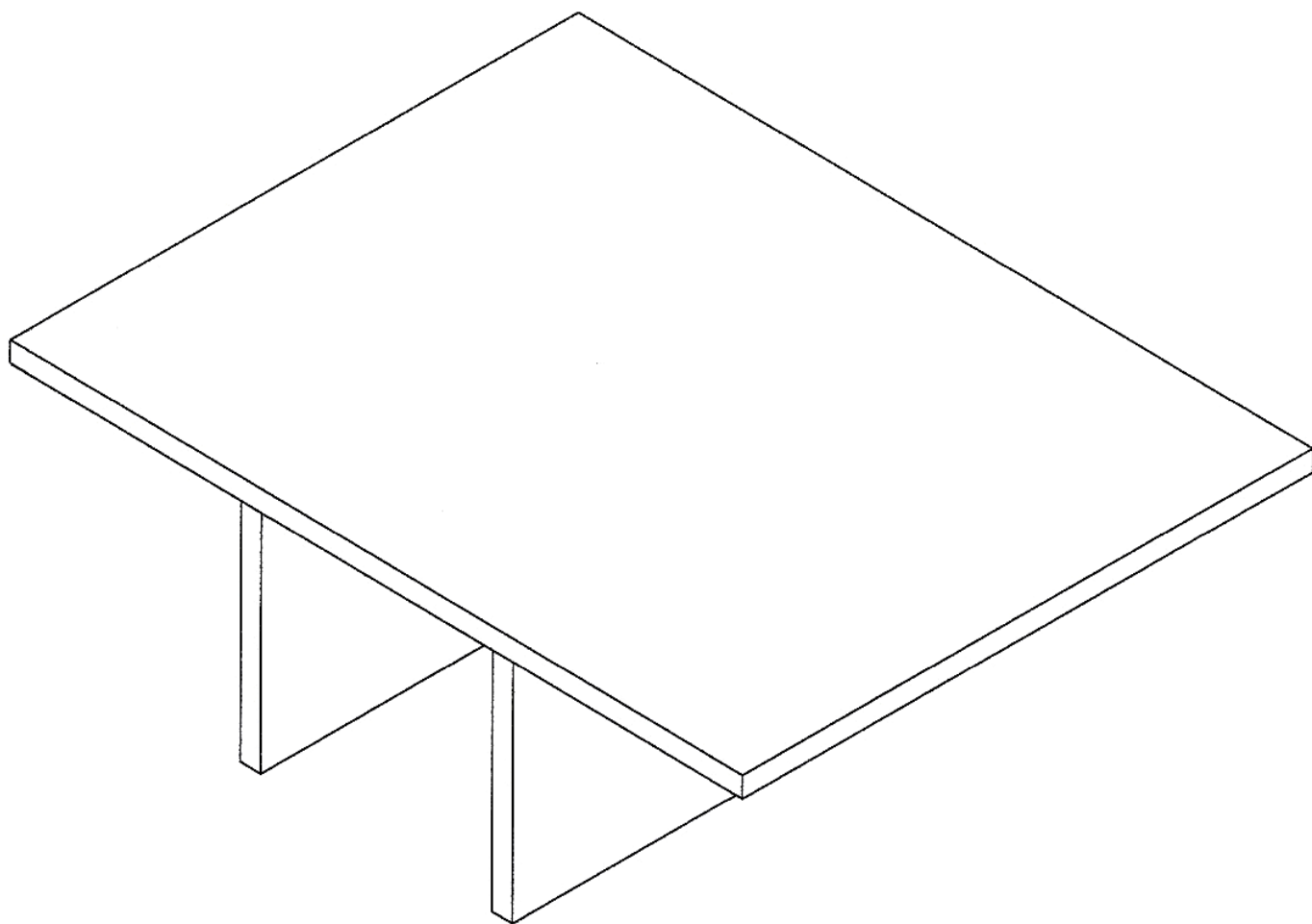
STEP 1



GLUE ALL DOWEL JOINTS!

Place the top panel on top of the gables using the guide holes.

**SIMPLY SLIDE THE ASSEMBLED UNIT INTO THE
BOTTOM OF YOUR WARDROBE**



YOUR UNIT IS NOW COMPLETE

In the interest of our environment
Please dispose of all packaging thoughtfully.