

210 mm

# GEO

## Lamp/Side Table

No Tool Assembly

Simply: Twist - Turn legs into top board until firm

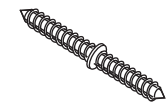
Flip - Gently turn table and place upright

(Ensure when assembling to place top on clean flat surface to avoid scratches)

**RECOMMENDED WEIGHT CAPACITY 30KG**

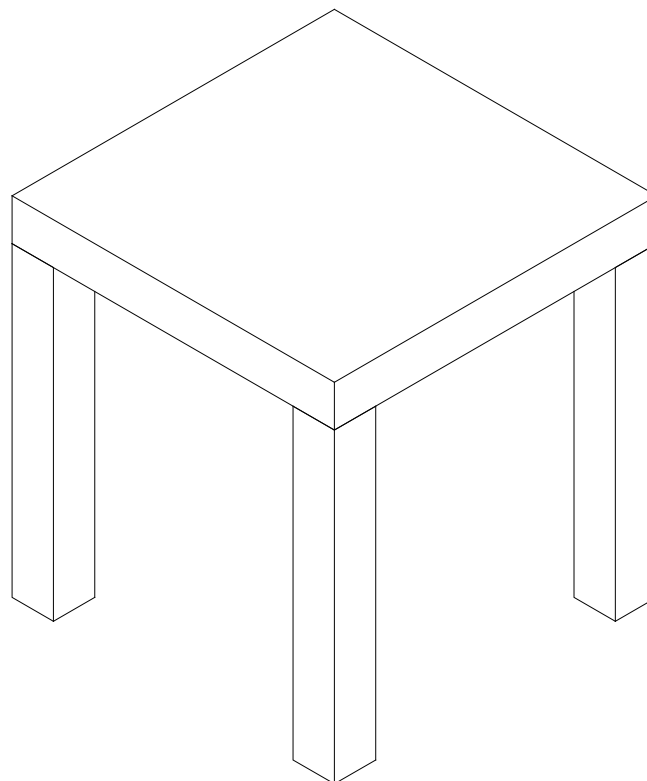
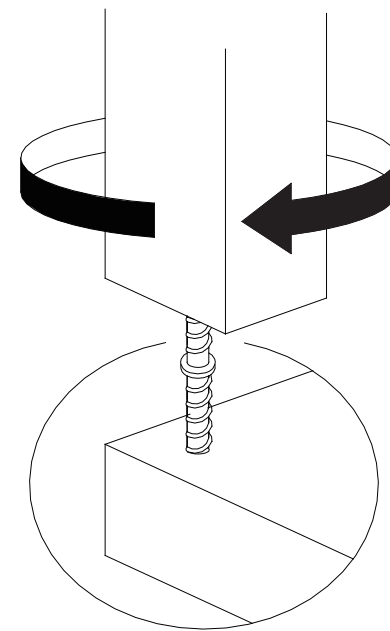
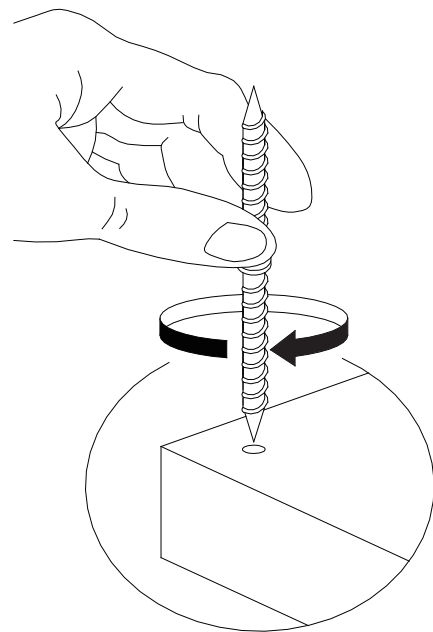


**Fantastic Furniture**



4 x Double Ended Screws

297 mm



[fantasticfurniture.com.au](http://fantasticfurniture.com.au)