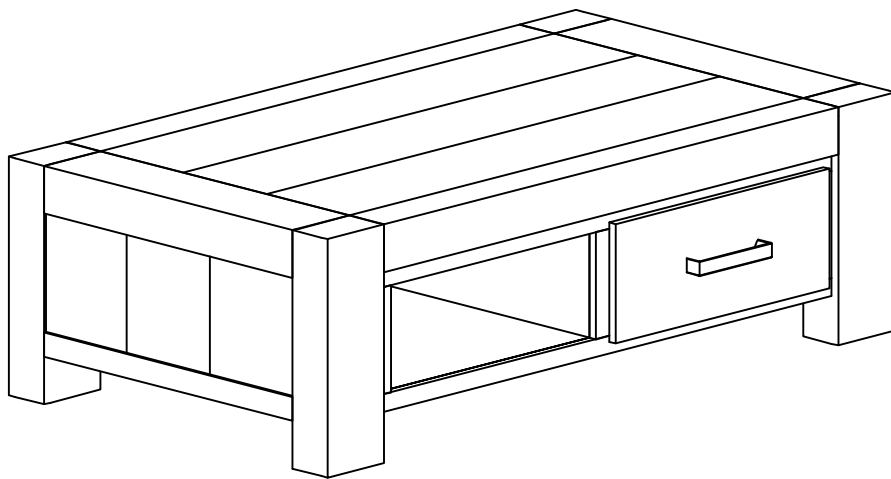


# Assembly Instructions

# KINGSTON

## Coffee Table 2 Drawer

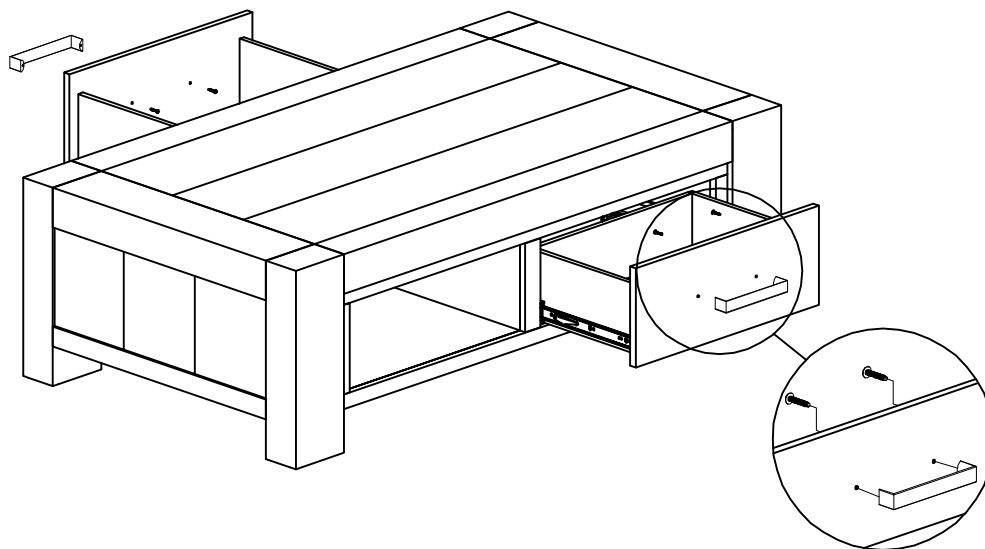


## Step 1

You will need:

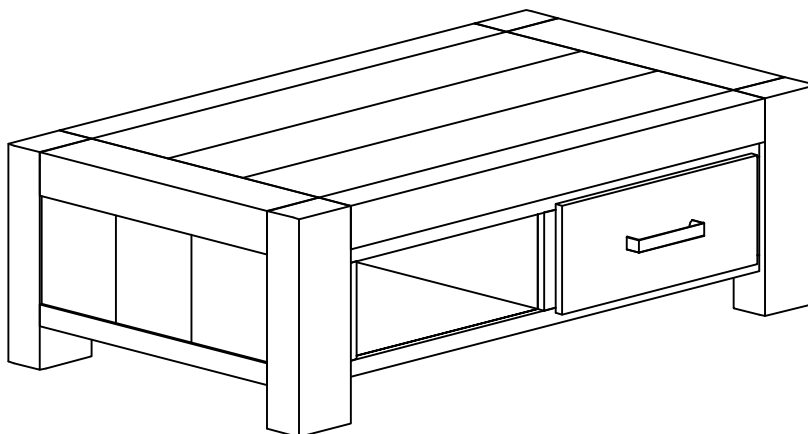


(Tool not provided)  
Phillips Head Screwdriver



The handles are fitted on the inside of the drawers to protect them during transport. Open the drawers, unscrew the handles, and then fix them on the outside as shown.

## Step 2



# The job is now complete!

In the interest of our environment  
Please dispose of all the packaging thoughtfully.