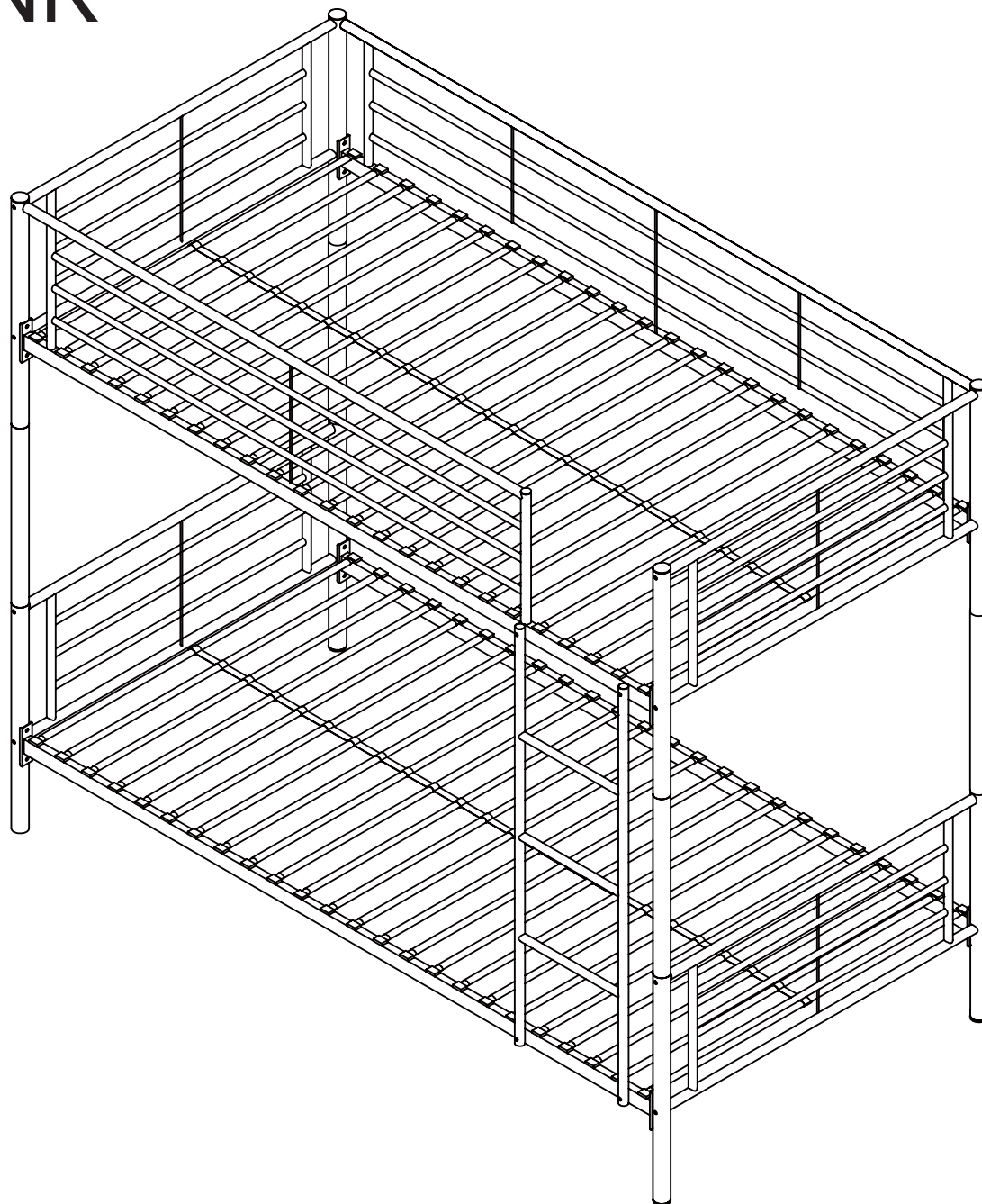


# Assembly Instructions

## KELLY BUNK



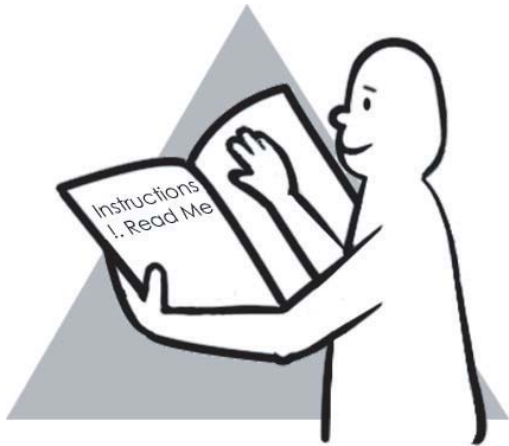
Ver1.2



# WARNING

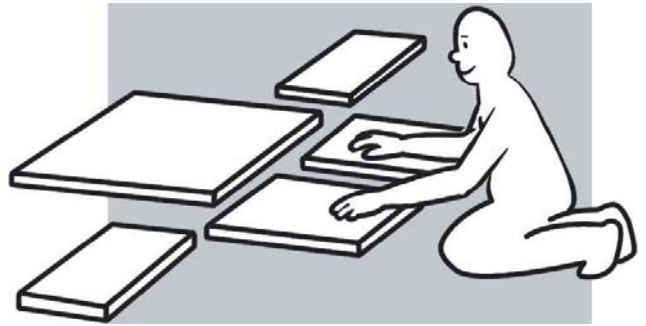
FAILURE TO FOLLOW THESE BASIC STEPS CAN LEAD TO DAMAGE THAT IS NOT COVERED BY YOUR WARRANTY

1



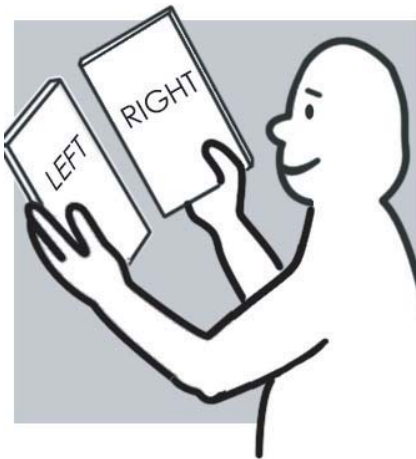
Read Instructions carefully.  
Check no parts are missing.

2



Lay out all of the components on a soft surface as if you were preparing to do a jigsaw puzzle.

3



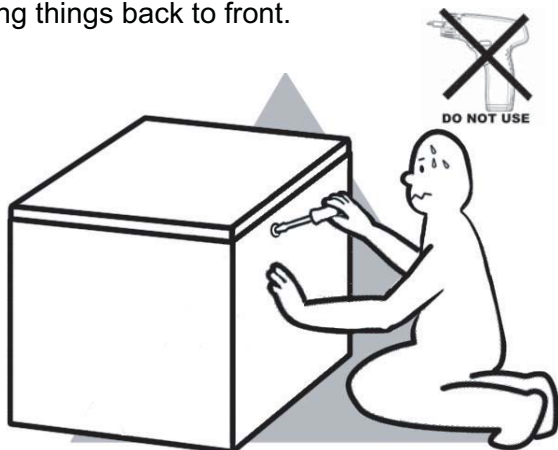
Carefully identify each component, especially those that are similar. The most common mistake is getting things back to front.

4



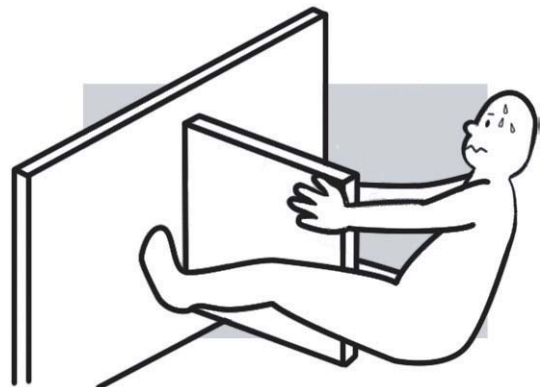
Separate and identify each component from the hardware pack and rest each one in its proper location before fastening.

5



**DO NOT** fully tighten screws (leave slightly loose). When the item is fully assembled tighten the screws - but do not over tighten.

6



If glue is required **DO NOT** set until you are certain that the parts belong together.

# What you Need

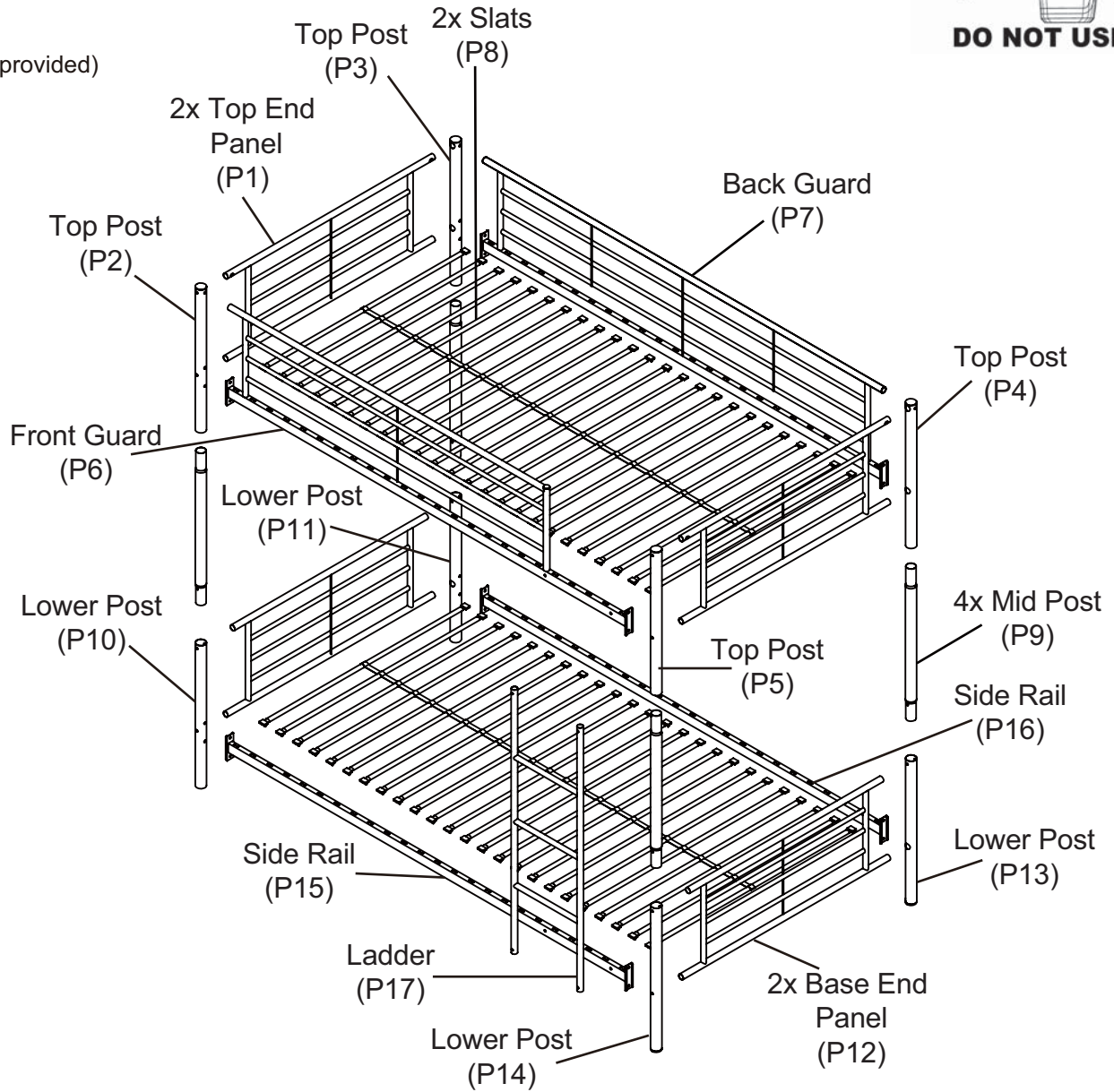
## To Assemble the Body



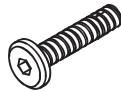
(Tools not provided)  
Mallet



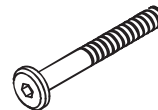
**DO NOT USE**



28x Bolts  
(M6x15mm)  
(H1)



4x Bolts  
(M6x35mm)  
(H2)



7x Bolts  
(M6x65mm)  
(H3)



4x Sleeve Nut  
(M6x15mm)  
(H4)



5x Small Endcap  
(H5)



4x Top Endcap  
plus 4x Extra Top Endcap  
(H6)



4x Foot Endcap  
plus 4x Extra foot Endcap  
(H7)





M4-Allen key

Please make sure you have all these parts before you start.

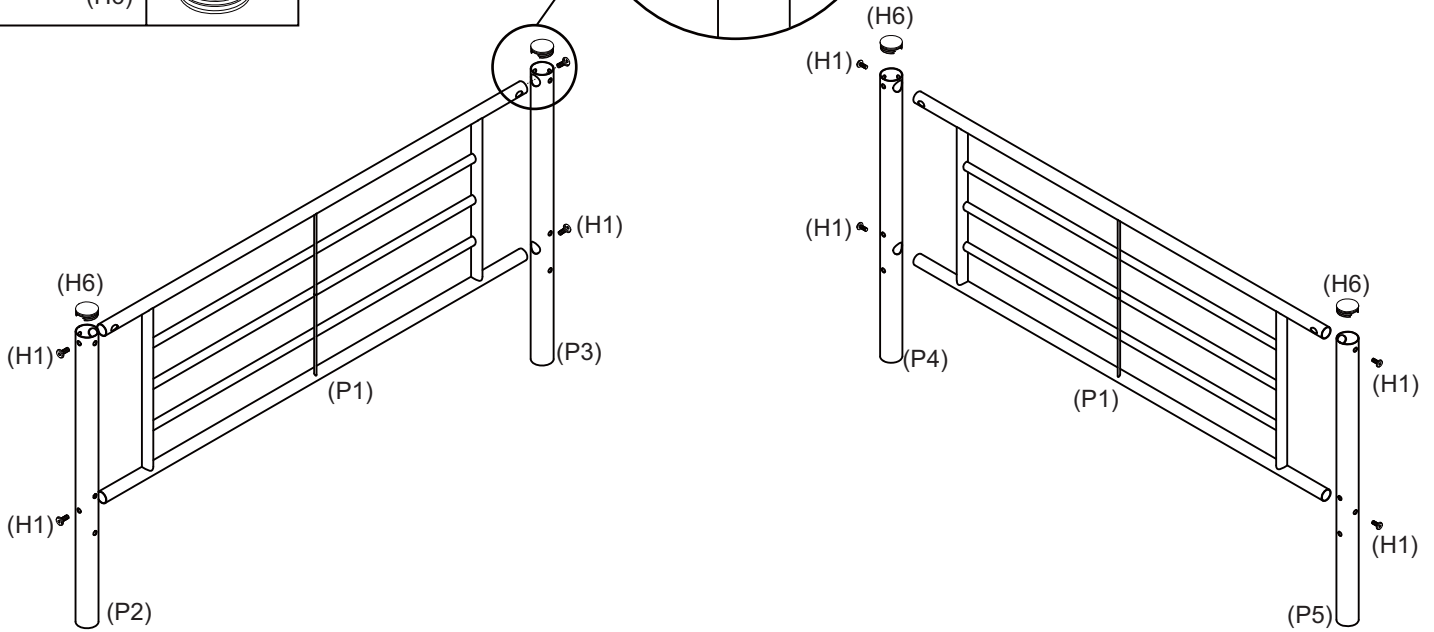
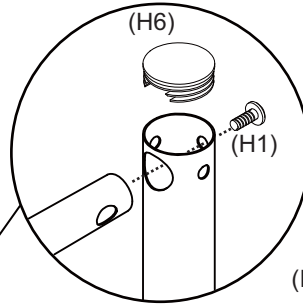
Page 3

# Step 1

## Assemble the top bed

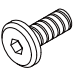


You will need:	
8x Bolts M6 x 15mm (H1)	
4x Top Endcap (H6)	


 M4-Allen key provided

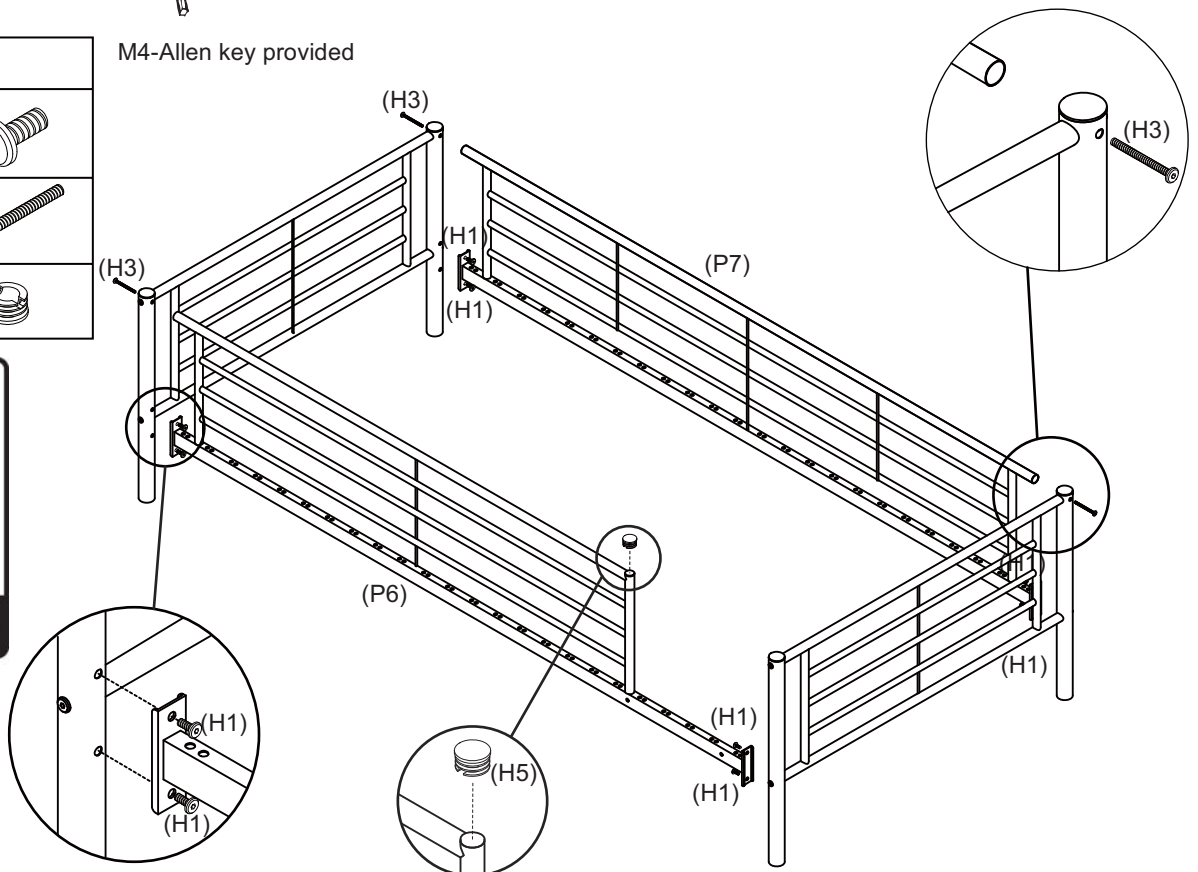
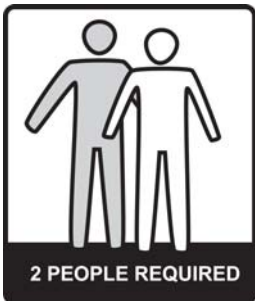


Attach Top Post (P2 & P3) to Top End Panel (P1) using 4x Bolts (H1). Insert 2x Top Endcap (H6) into each Top Post. Repeat same for the other top bed end assembly as shown.

# Step 2

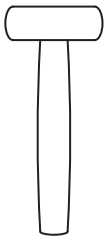
You will need:	
8x Bolts M6 x 15mm (H1)	
3x Bolts M6 x 65mm (H3)	
1x Small Endcap (H5)	

 M4-Allen key provided

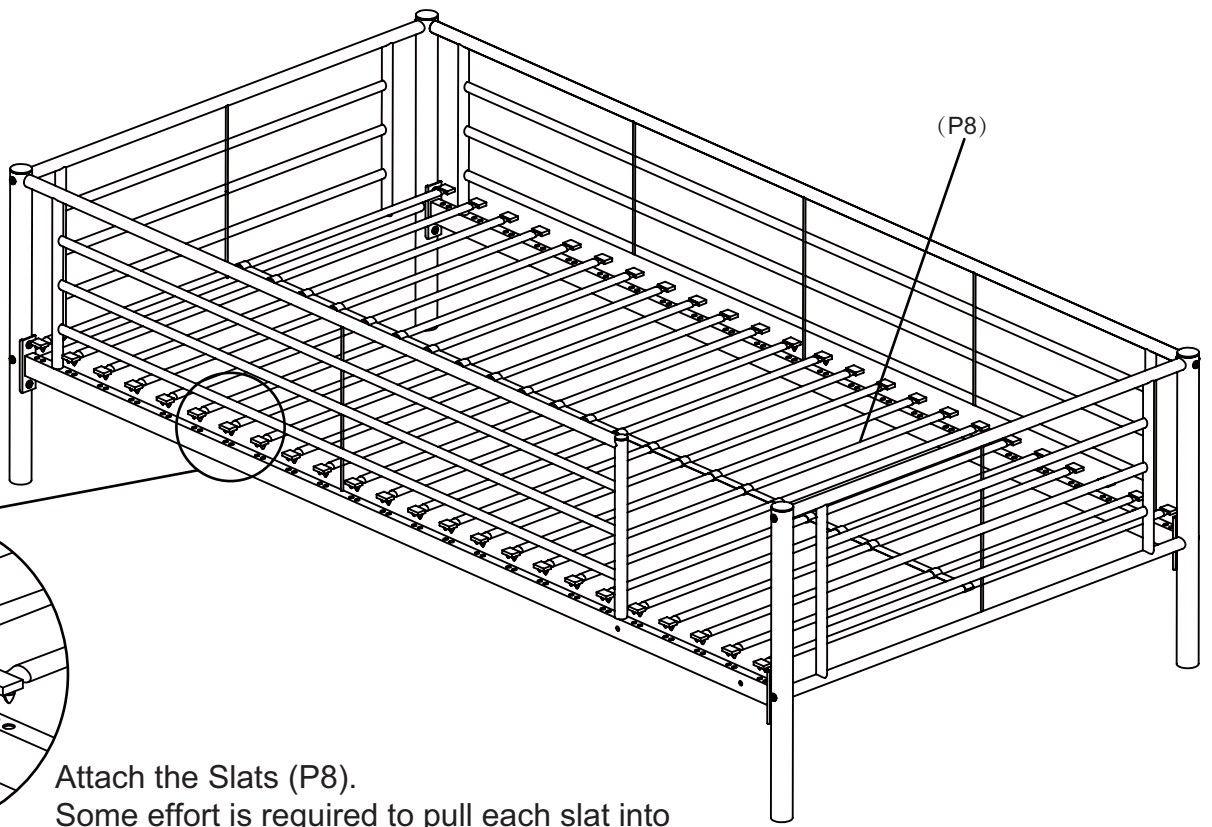


Attach the Front Guard (P6) to the Top Posts with 4x Bolts (H1) and 1x Bolt (H3), attach Back Guard (P7) with 4x Bolts (H1) and 2x Bolts (H3). Insert 1x Small Endcap (H5) as shown.

# Step 3



(Tools not provided)  
Mallet



Attach the Slats (P8).  
Some effort is required to pull each slat into position as the centre strap is designed to keep the slats tight.

Well done. You have assembled the top bed, and now we will assemble the bottom bed.

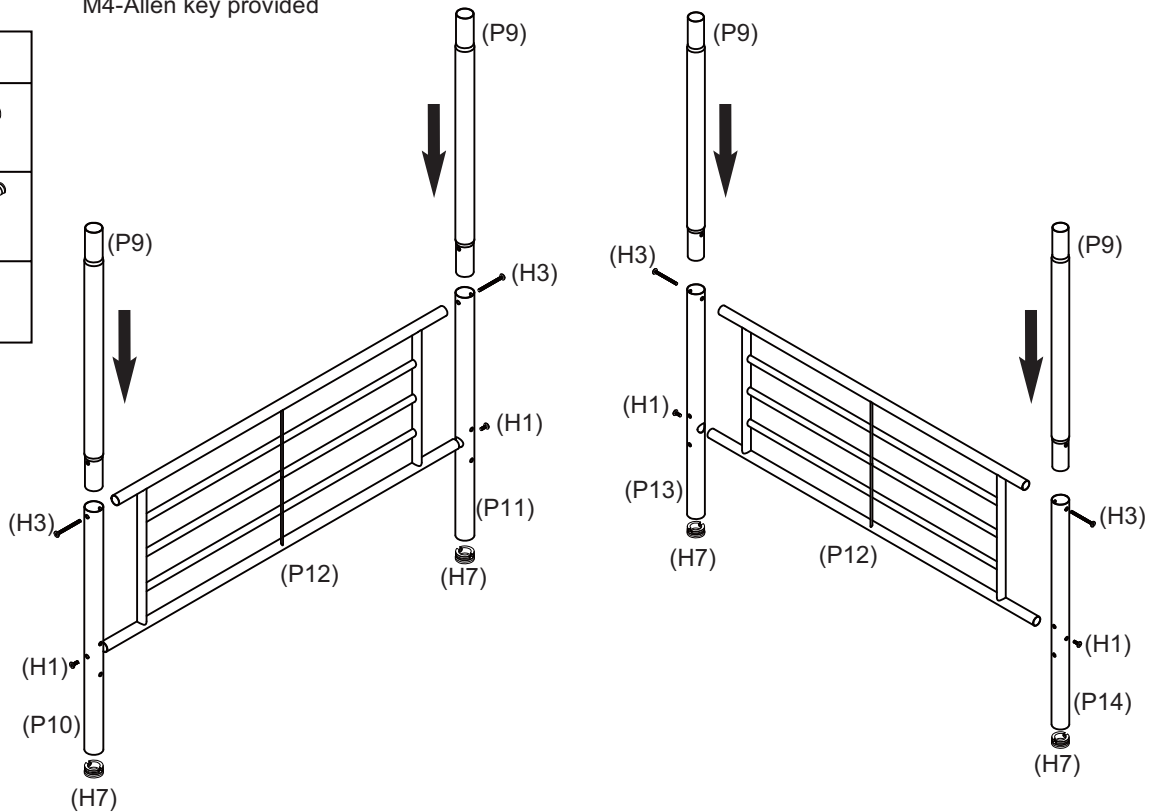
# Step 4



M4-Allen key provided


## Assemble the bottom bed

You will need:	
4x Bolts M6 x 15mm (H1)	
4x Bolts M6 x 65mm (H3)	
4x Foot Endcap (H7)	

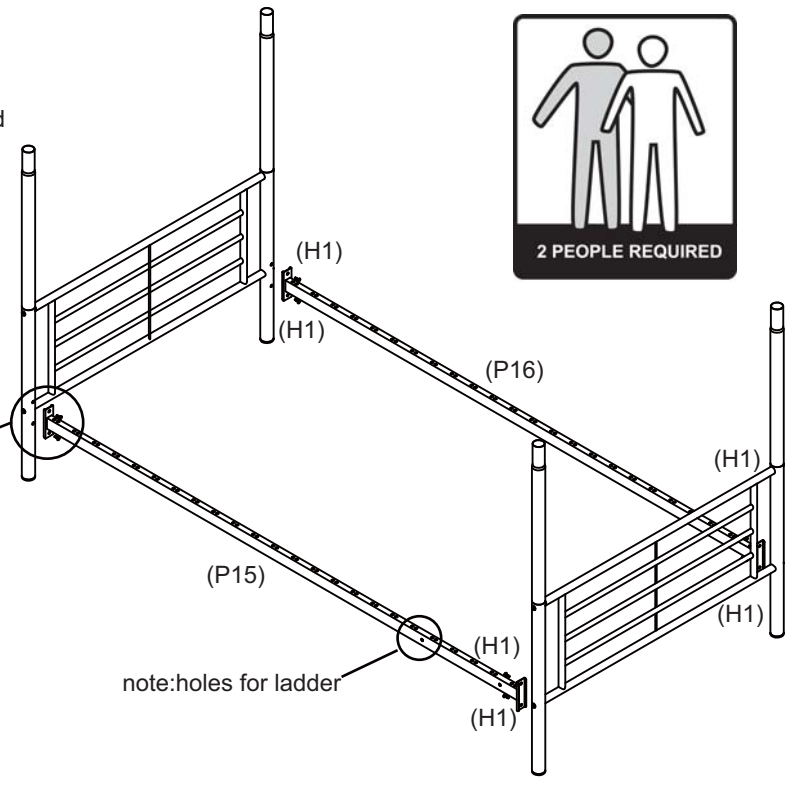
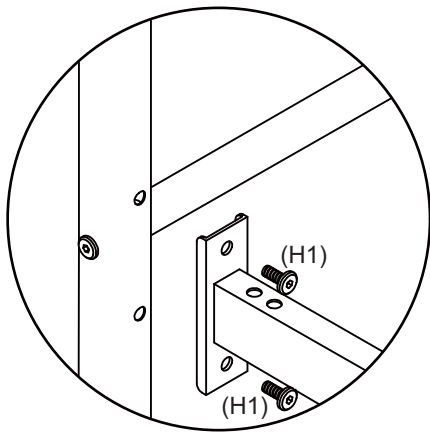


Insert Mid Posts (P9) into Lower Posts (P10 & P11), then attach these to Base End Panel (P12) using 2x Bolts (H1) and 2x Bolts (H3). Insert 2x Foot Endcap (H7) into each Lower Post. Repeat same for the other base end as shown.

# Step 5

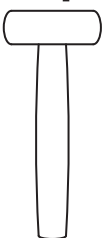
You will need:	
8x Bolts M6 x 15mm (H1)	

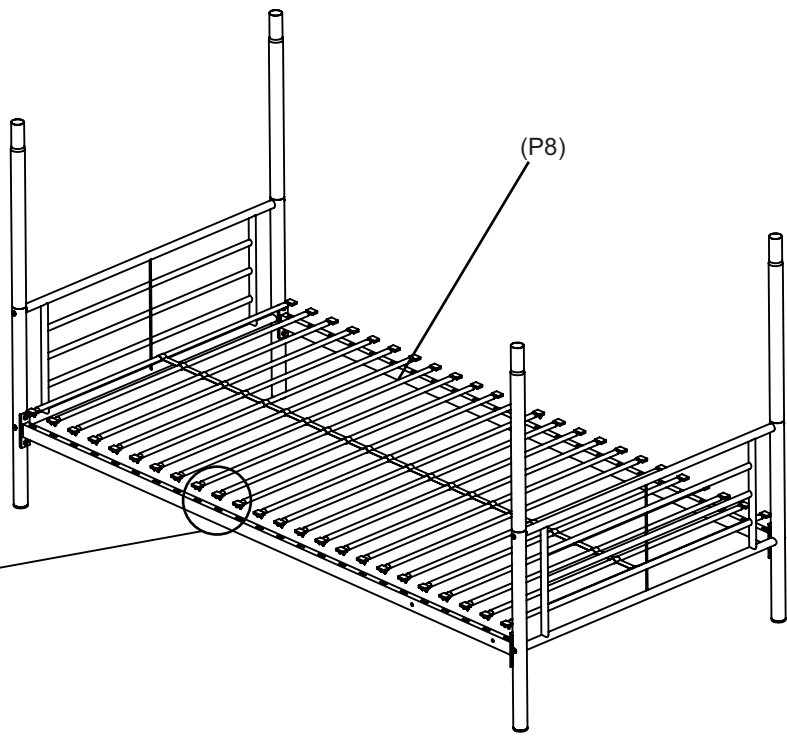
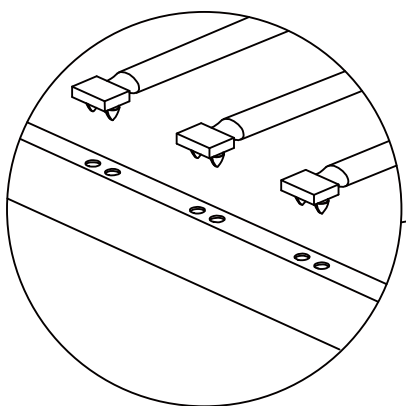
  
M4-Allen key provided



Attach the Side Rails (P15 & P16) to the end assemblies using 8x Bolts (H1).

# Step 6

  
(Tools not provided)  
Mallet

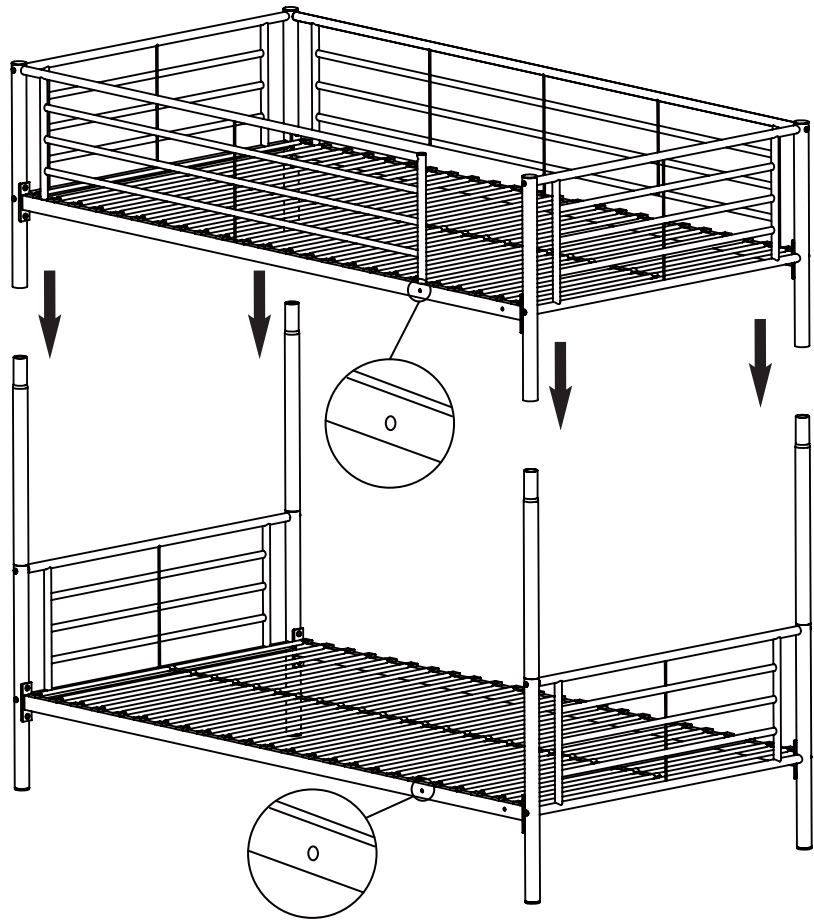


Attach the Slats (P8). Some effort is required to pull each slat into position as the centre strap is designed to keep the slats tight.

Well done. You have assembled the bottom bed. The two beds will now be put together to form the bunk bed.

note: In the future if you require two single beds, the bunk can be disassembled. Remember to remove the mid posts from the bottom bed and insert the spare end caps.

# Step 7



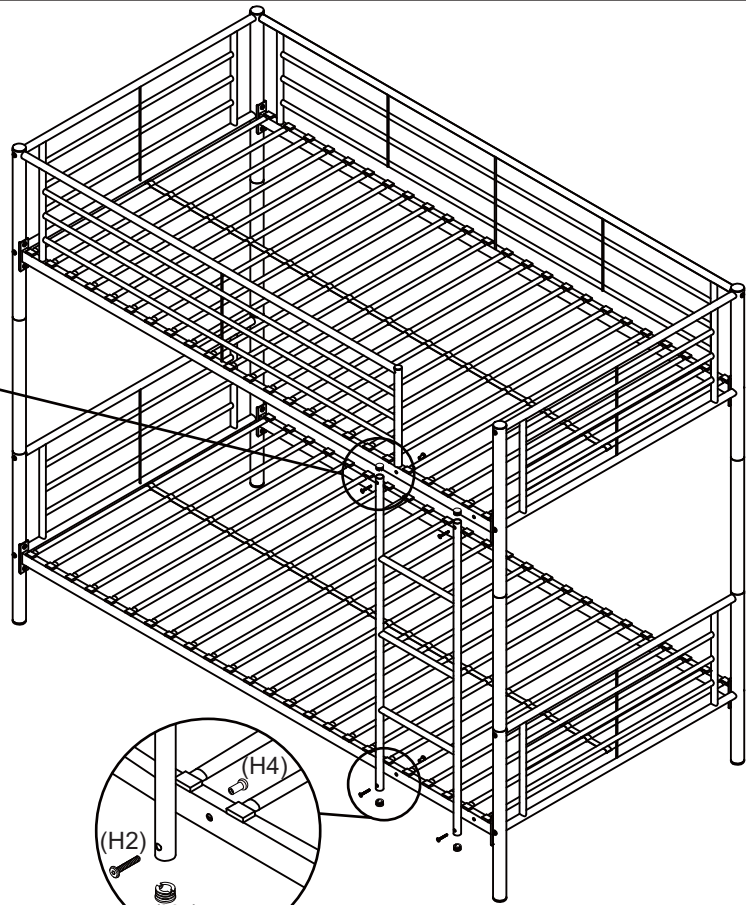
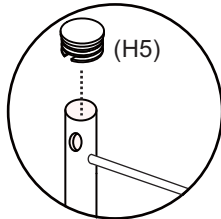
Two people carefully lift the top bed into position. Note location of holes for ladder.

# Step 8

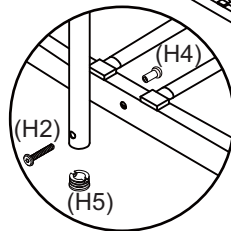
You will need:	
4x Bolts M6 x 35mm (H2)	
4x Sleeve Nut M6 x 15mm (H4)	
4x Small Endcap (H5)	



M4-Allen key provided



Fit 4x Endcap (H5) to the Ladder (P17), then attach ladder to the bunk using 4x Bolts (H2) and 4x Sleeve Nuts (H4).



**The job is now complete!**  
In the interest of our environment  
Please dispose of all packaging thoughtfully.