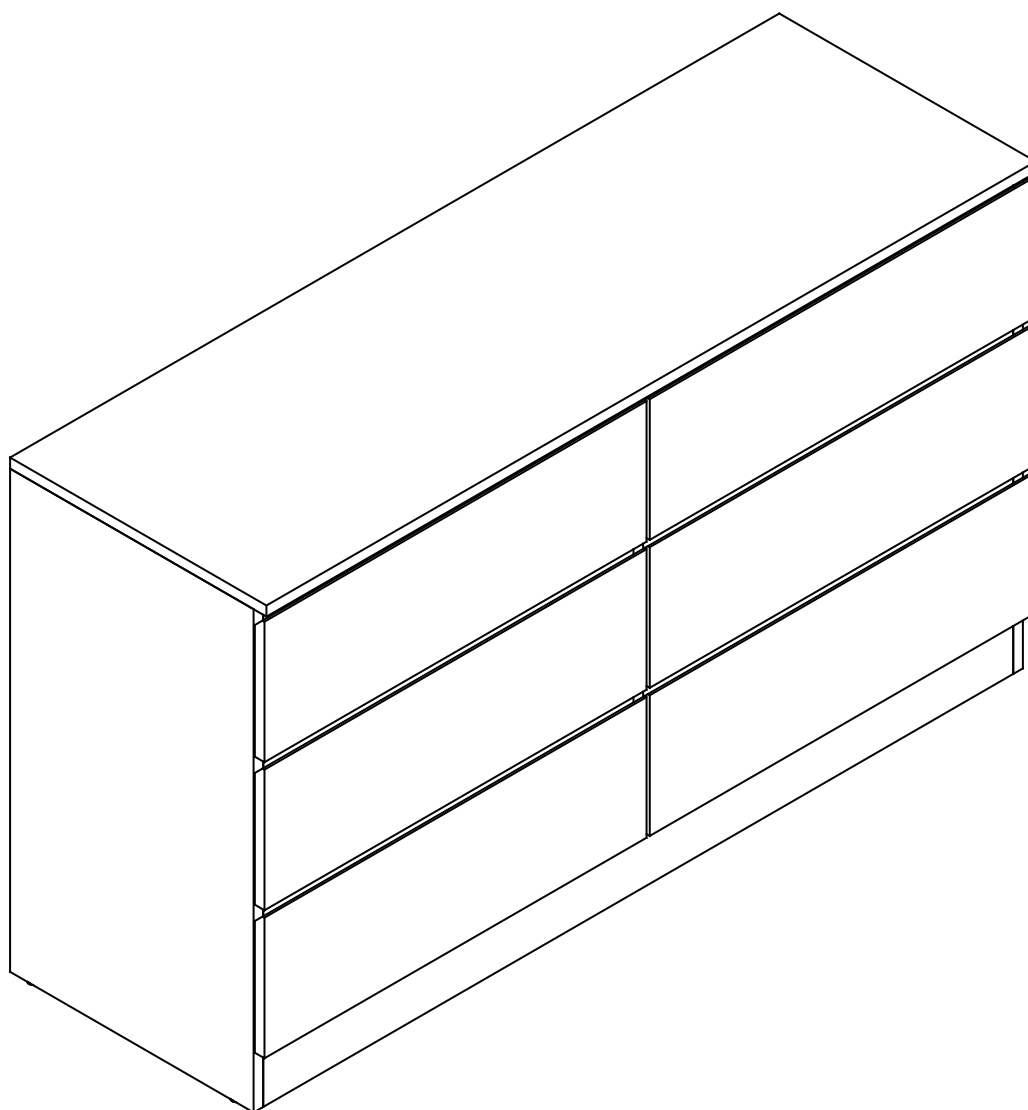




**Fantastic  
Furniture**

Version 1.0



**Two People**



**Required**

**Como**  
Dresser 6 Drw

[fantasticfurniture.com.au](http://fantasticfurniture.com.au)

Recommended weight capacity : 10kgs /Drawer.



**WARNING: ENSURE THE WALL STRAP IS ATTACHED TO  
AVOID SERIOUS INJURY.**

To avoid any serious or fatal injury, this product has been supplied with a wall strap to prevent toppling. We strongly recommend that this product is permanently fixed to the wall or other suitable surface. Connecting attachments for your wall are not included since different surface materials require different attachments. Please seek professional advice if you are in doubt of what wall connections to use.

## Looks like you've found your Fantastic!

We're thrilled you've chosen Fantastic Furniture  
to help create a home you'll love!



# Fantastic Furniture

### Love it? Share it!

Fantastic buy! Share how it looks at home on Instagram for  
your chance to win a \$250 Fantastic Furniture Gift Card!

**@fantasticfurniture**

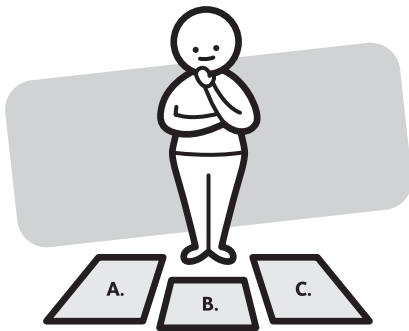
# Assembly Checklist



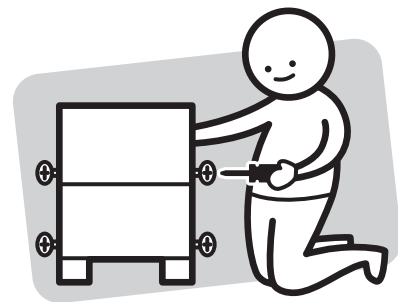
Read through the instructions carefully before you begin.



Make sure you have all the required tools. Never use power tools unless instructed.



Identify and lay out all of the components before you begin assembly.



Unless instructed, do not fully tighten screws until the item is fully assembled.

## Useful Information

- ! Never use power tools unless specifically instructed. They can damage your components or hardware if used incorrectly.
- ! The most common mistakes made during assembly are using the wrong hardware or getting components back to front.
- ! Always use a soft surface (such as carpet or cardboard) when assembling your product to avoid scratching or damaging the surface of the product.
- ! Bulky items such as wardrobes and bunk beds should be assembled in the room they will be used in as they may not fit through a door once assembled.
- ! Never use any glue until you are certain that the parts belong together.
- ! Periodically check and re-tighten all fasteners. Check the product care label or website for product care instructions.
- ! If you are having any difficulties assembling your product, missing any hardware or components please visit our website Help Centre for further assistance.
- ! Please see page 2 for any safety requirements or weight restrictions.

# What you need

## to assemble the product



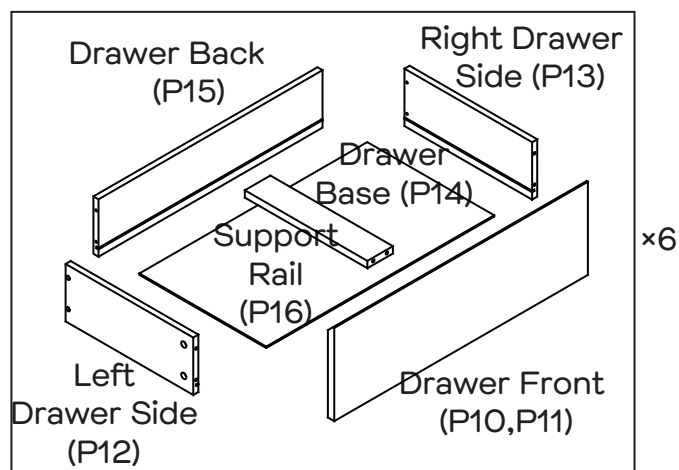
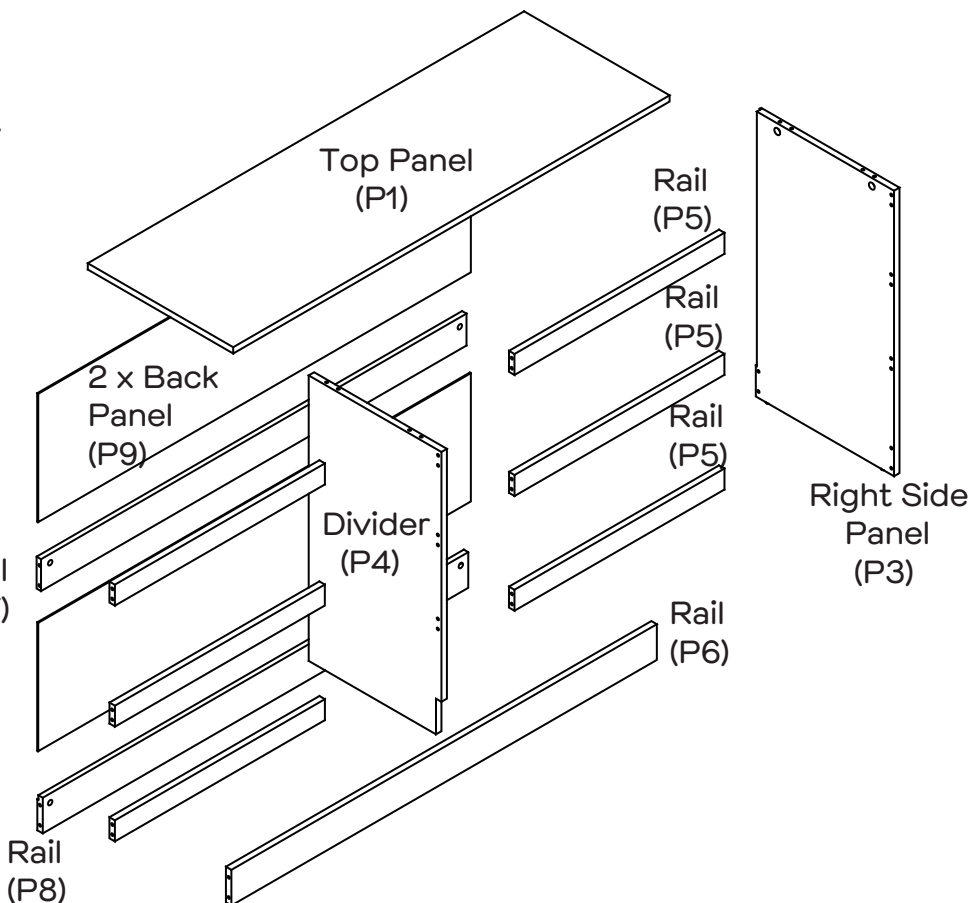
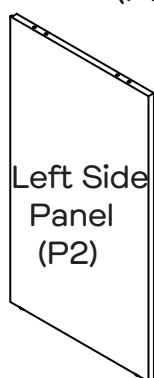
DO NOT USE



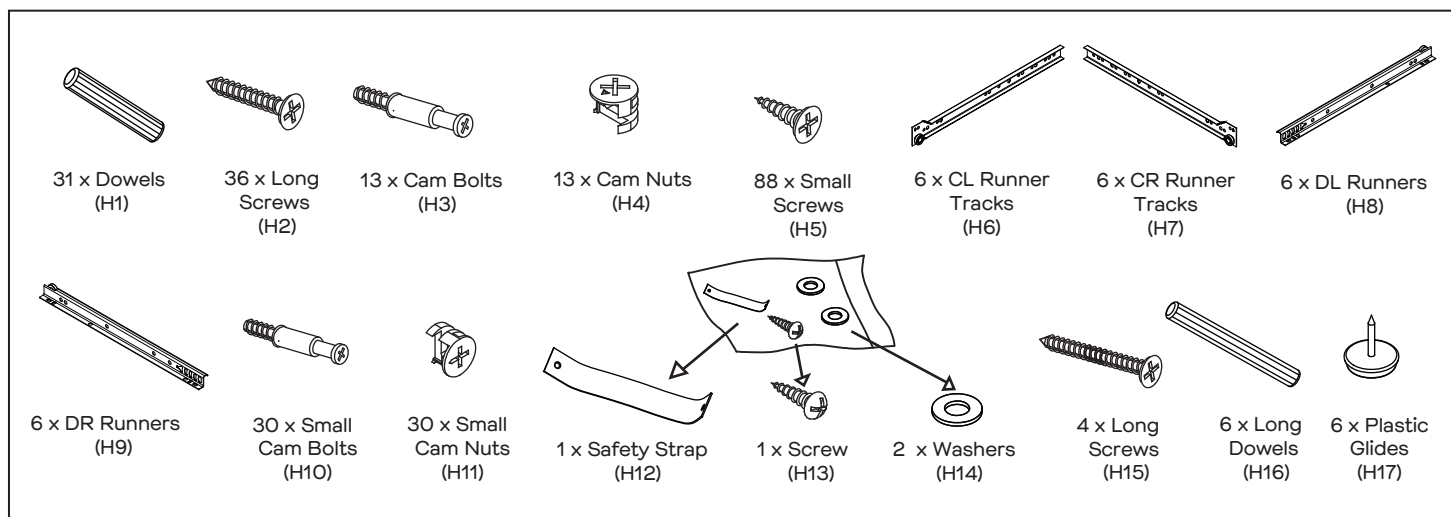
**Other tools you need:**  
Phillips head screwdriver;  
Hammer

### Parts list


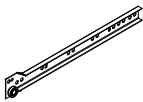

- Top Panel (P1);
- Left Side Panel (P2);
- Right Side Panel (P3);
- Divider (P4);
- 6 x Rails (P5);
- Rails (P6);
- Rail (P7);
- Rail (P8);
- 2 x Back Panels (P9);
- 3 x Drawer Front (P10);
- 3 x Drawer Front (P11);
- 6 x Left Drawer Sides (P12);
- 6 x Right Drawer Sides (P13);
- 6 x Drawer Bases (P14);
- 6 x Drawer Backs (P15);
- 6 x Support Rail (P16)

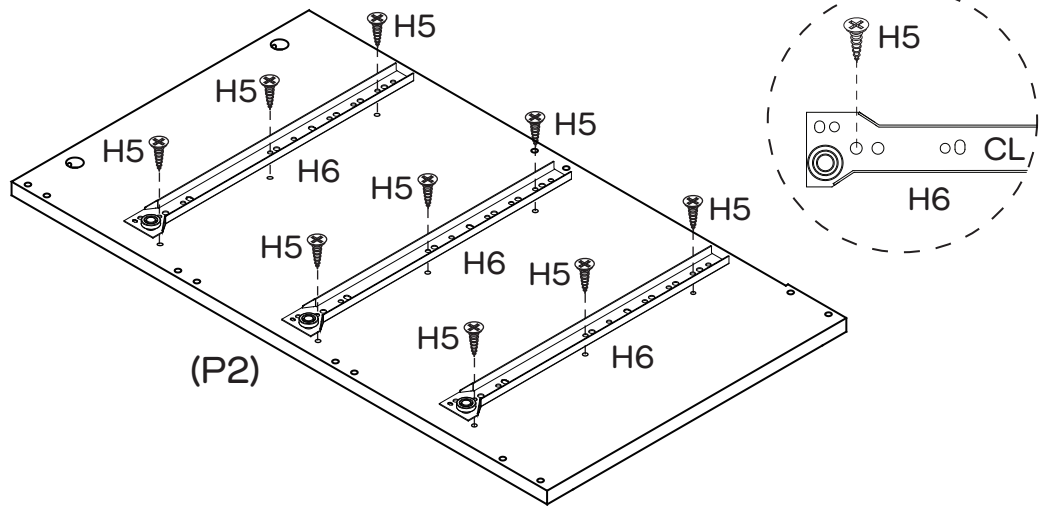


### Hardware pack




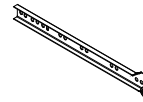

# Step 1

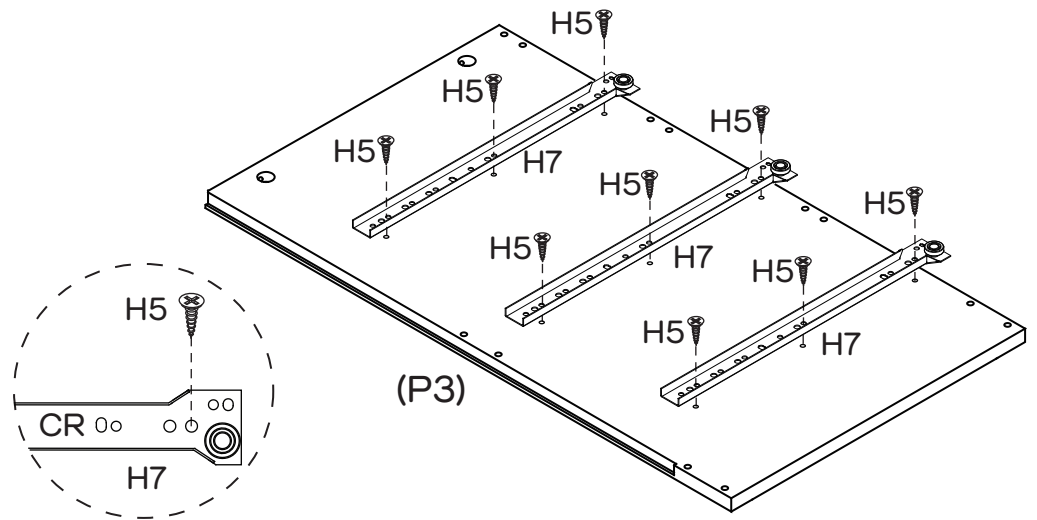
| You will need   |   |
|---|---|
|  |  |
| 9 x Small Screws (H5)   | 3 x CL Runner Tracks (H6)   |
|  |   |
| Phillips Head Screwdriver   |   |



Attach 3 x CL Runner Tracks (H6) to Left Side Panel (P2) with 9 x Small Screws (H5) by tightening with the Phillips Head Screwdriver.

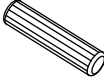
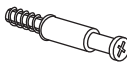

# Step 2

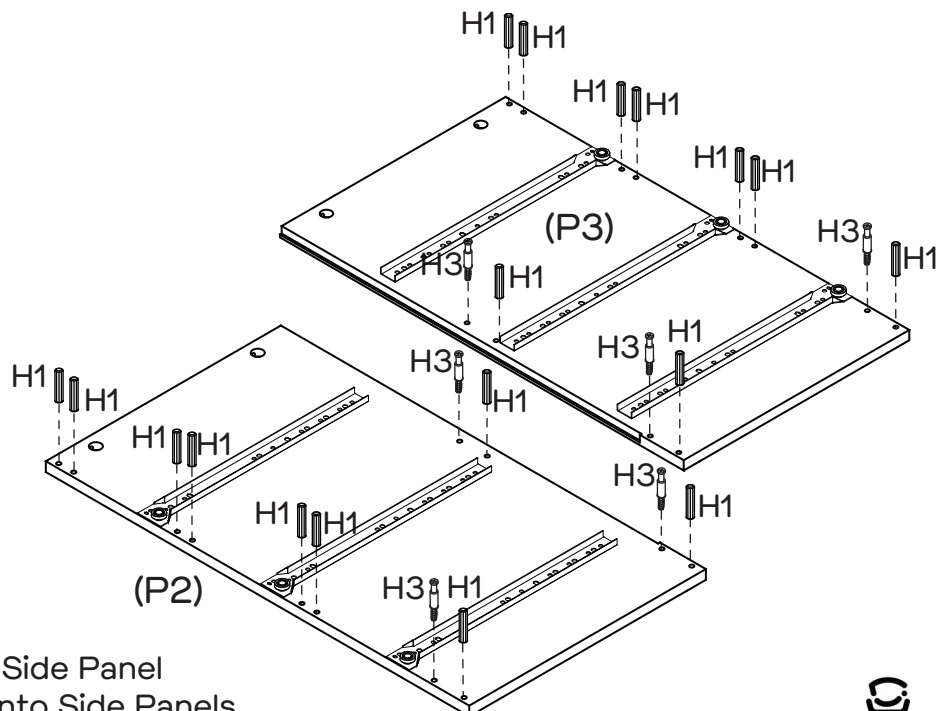
| You will need   |  |
|---|--|
|    |  |
| 9 x Small Screws (H5)   | 3 x CR Runner Tracks (H7)  |
|  |  |
| Phillips Head Screwdriver   |  |



Attach 3 x CR Runner Tracks (H7) to Right Side Panel (P3) with 9 x Small Screws (H5) by tightening with the Phillips Head Screwdriver.


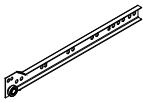

# Step 3

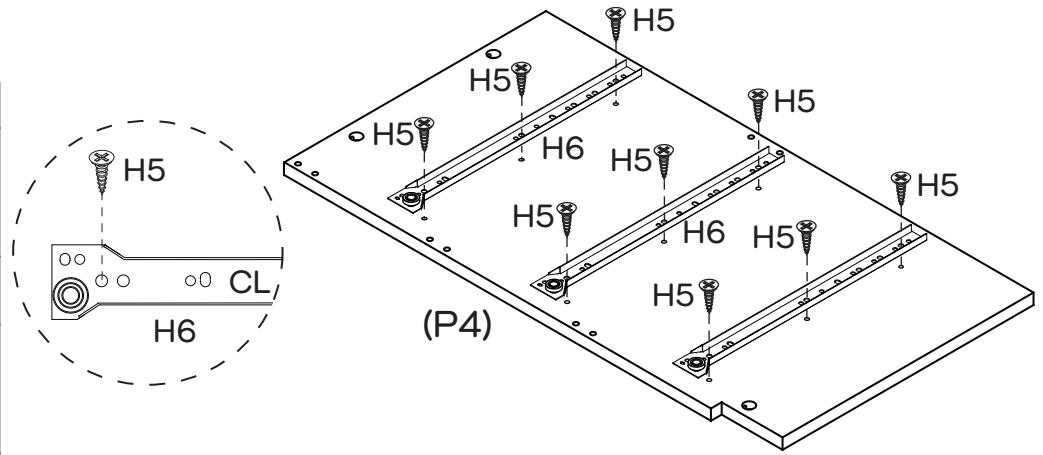
| You will need   |   |
|---|---|
|  |  |
| 18 x Dowels (H1)  | 6 x Cam Bolts (H3)  |
|  |   |
| Phillips Head Screwdriver   |   |



Insert 18 x Dowels (H1) into Left Side Panel (P2). Attach 6 x Cam Bolts (H3) into Side Panels (P2) and (P3) as shown. Tighten with a Phillips Head Screwdriver.


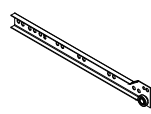

## Step 4

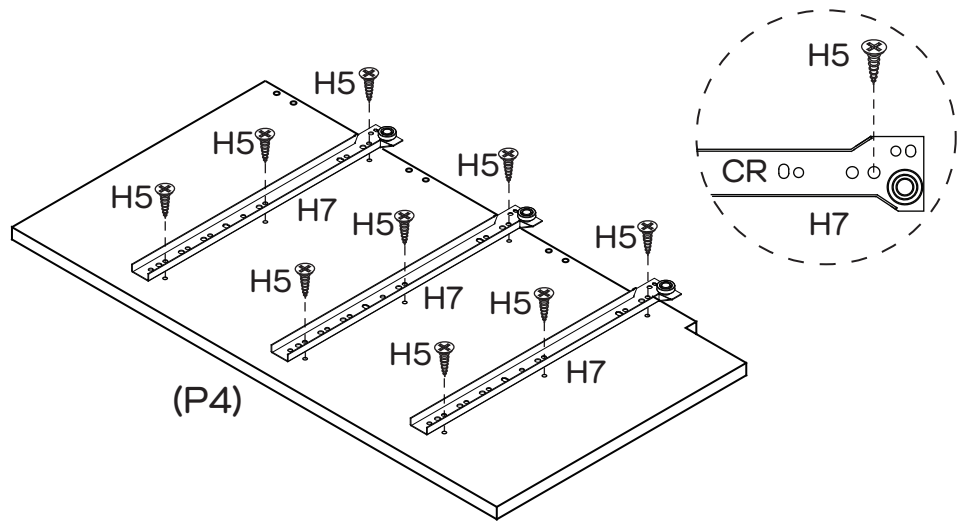
| You will need   |   |
|---|---|
|  |  |
| 9 x Small Screws (H5)   | 3 x CL Runner Tracks (H6)   |
|  |   |
| Phillips Head Screwdriver   |   |



Attach 3 x CL Runner Tracks (H6) to Divider (P4) with 9 x Small Screws (H5) by tightening with the Phillips Head Screwdriver.

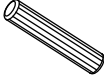
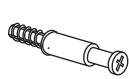


## Step 5

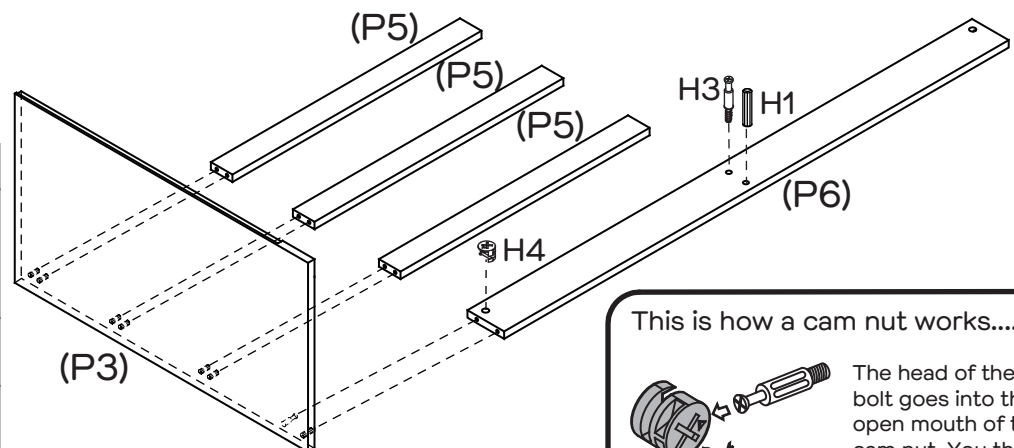
| You will need   |  |
|---|--|
|    |  |
| 9 x Small Screws (H5)   | 3 x CR Runner Tracks (H7)  |
|  |  |
| Phillips Head Screwdriver   |  |



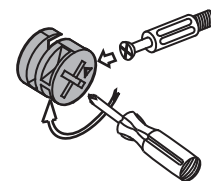
Turn Divider (P4) over to the other side, and then attach 3 x CR Runner Tracks (H7) with 9 x Small Screws (H5).

## Step 6

| You will need   |   |
|---|---|
|  |  |
| 1 x Dowels (H1)   | 1 x Cam Bolts (H3)  |
|  |  |
| 1 x Cam Nuts (H4)   | Phillips Head Screwdriver   |





This is how a cam nut works.....

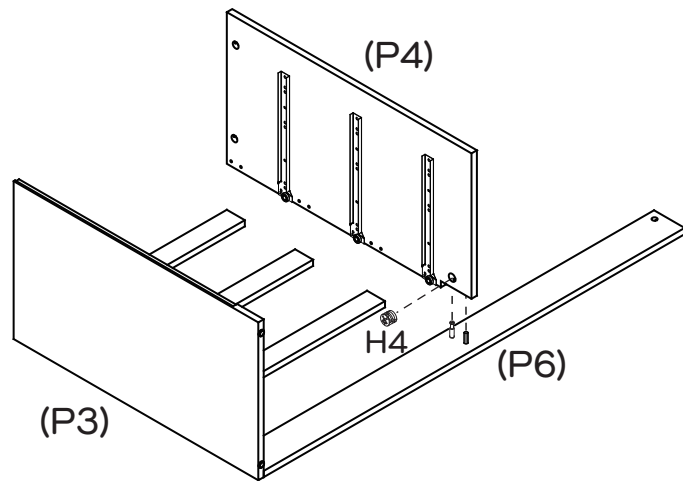


The head of the cam bolt goes into the open mouth of the cam nut. You then turn the cam nut so it tightens over the bolt.

Insert 1 x Cam Nut (H4) into the hole of Rail (P6). Rotate the cam nut so the arrows point towards the incoming cam bolt. Insert 1 x Dowel (H1) into Rail (P6). Attach 1 x Cam Bolt (H3) into Rail (P6) as shown. Attach 3 x Rails (P5) and Rail (P6) to Right Side Panel (P3), then tighten the cam nuts.

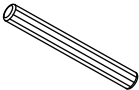
## Step 7

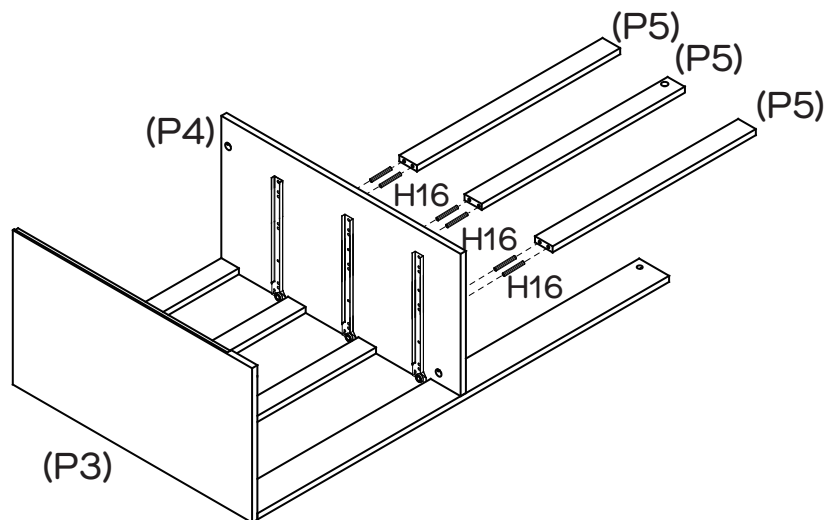
| You will need   |   |
|---|---|
|  |  |
| 1 x Cam Nuts (H4)   | Phillips Head Screwdriver   |



Insert 1 x Cam Nut (H4) into the hole of Divider (P4).  
 Rotate the cam nut so the arrows point towards the incoming cam bolt.  
 Push Divider (P4) into place and tighten the cam nut.

## Step 8

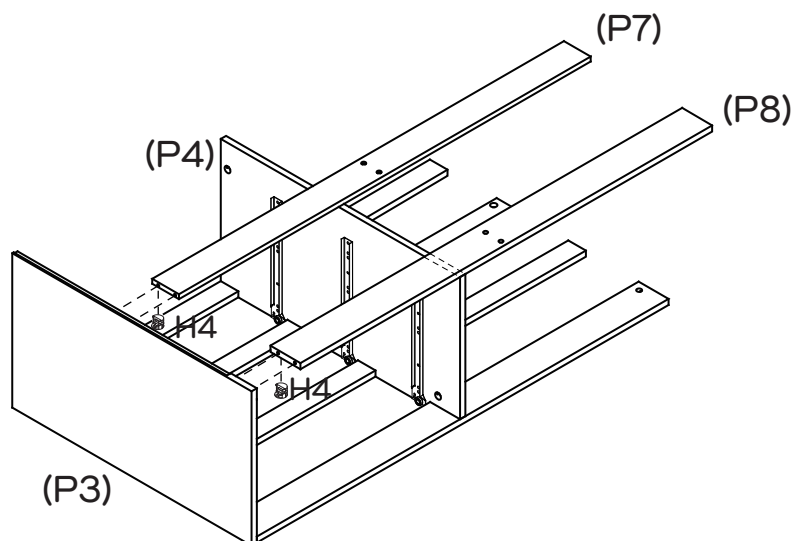
| You will need  |  |
|--|--|
|  |  |
| 6 x Long Dowels (H16)  |  |



Insert 6 x Long Dowels (H16) into 3 x Rails (P5) and Divider (P4).

## Step 9


| You will need   |   |
|---|---|
|  |  |
| 4 x Cam Nuts (H4)   | Phillips Head Screwdriver   |

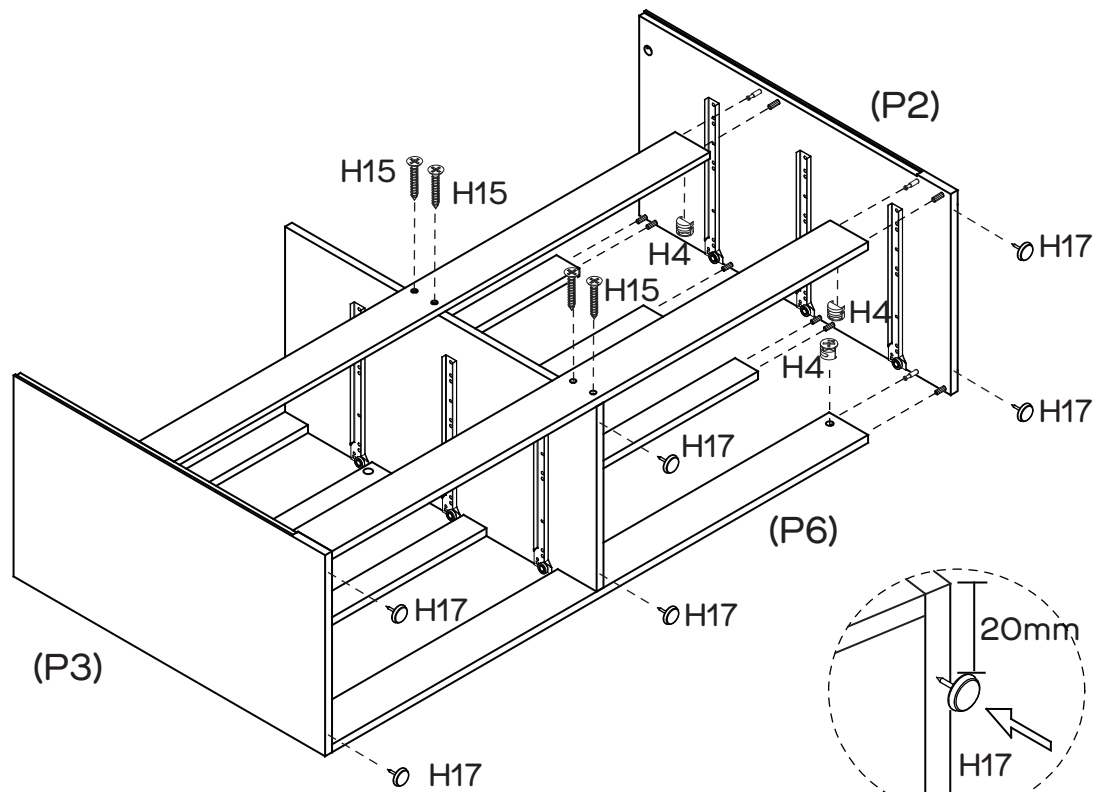


Insert 2 x Cam Nuts (H4) into the holes of Rails (P7) and (P8).  
 Rotate the cam nuts so the arrows point towards the incoming cam bolts and tighten the cam nuts.



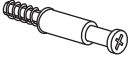

## Step 10

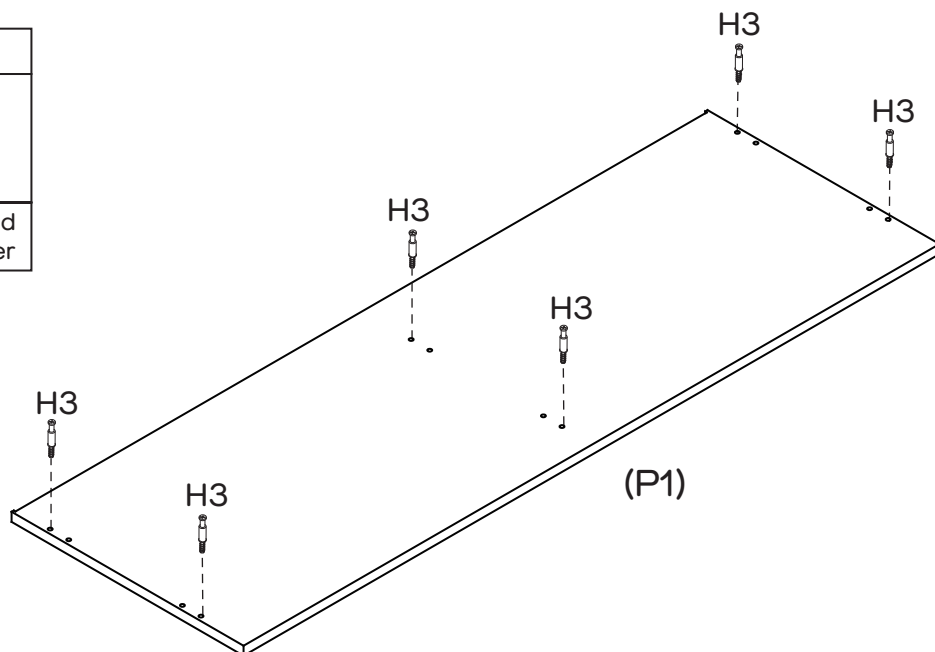
| You will need   |   |
|---|---|
|  |  |
| 3 x Cam Nuts (H4)   | 4 x Long Screws (H15)   |
|  |  |
| 6 x Plastic Glides (H17)  | Phillips Head Screwdriver   |
|  |   |
| Hammer  |   |



Insert 3 x Cam Nuts (H4) into the holes of Rails (P6,P7) and (P8).  
 Rotate the cam nuts so the arrows point towards the incoming cam bolts.  
 Push Left Side Panel (P2) into place and tighten the cam nut.  
 Attach Rails (P7) and (P8) to Divider (P4) with 4 x Long Screws (H15).  
 Then hammer 6 x Plastic Glides (H17) on Side Panels (P2,P3) and Divider (P4).

## Step 11

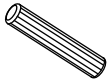


| You will need   |   |
|---|---|
|  |  |
| 6 x Cam Bolts (H3)  | Phillips Head Screwdriver   |



Attach 6 x Cam Bolts (H3) into Top Panel (P1) as shown. Tighten with a Phillips Head Screwdriver.



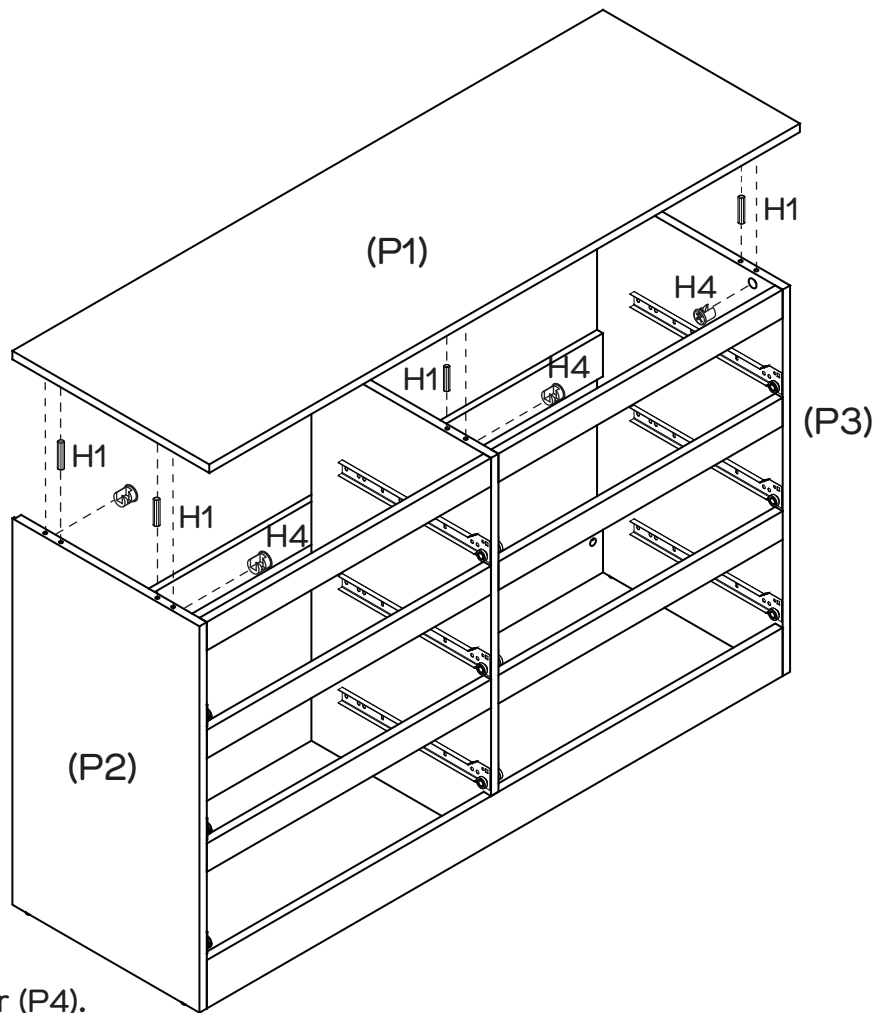
## Step 12

| You will need   |   |
|---|---|
|  |  |
| 6 x Dowels (H1)   | 6 x Cam Nuts (H4)   |
|  |   |
| Phillips Head Screwdriver   |   |

Two People



Required





Insert 6 x Dowels (H1) into Side Panels (P2,P3) and Divider (P4).

Insert 6 x Cam Nuts (H4) into the holes of Side Panels (P2,P3) and Divider (P4).

Rotate the cam nuts so the arrows point towards the incoming cam bolts.

Attach Top Panel (P1) and tighten the cam nuts.

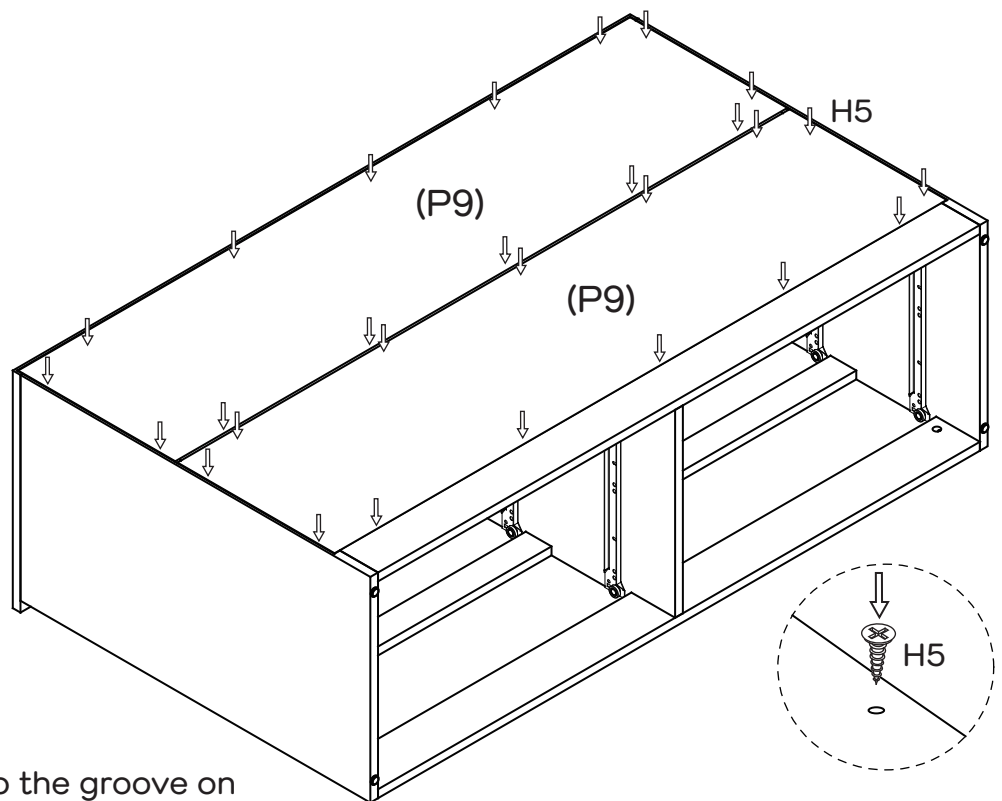
## Step 13

| You will need   |   |
|---|---|
|  |  |
| 28 x Small Screws (H5)  | Phillips Head Screwdriver   |

Two People



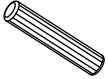
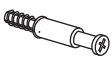

Required

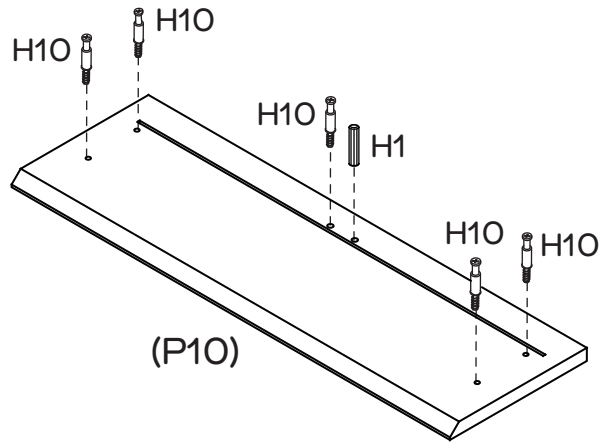


Put 2 x Back Panels (P9) into the groove on the back of the chest ,screw them with

28 x Small Screws (H5). Holes are not pre-drilled so you need to put some pressure with screwdriver to get started. Lift unit back up.



## Step 14

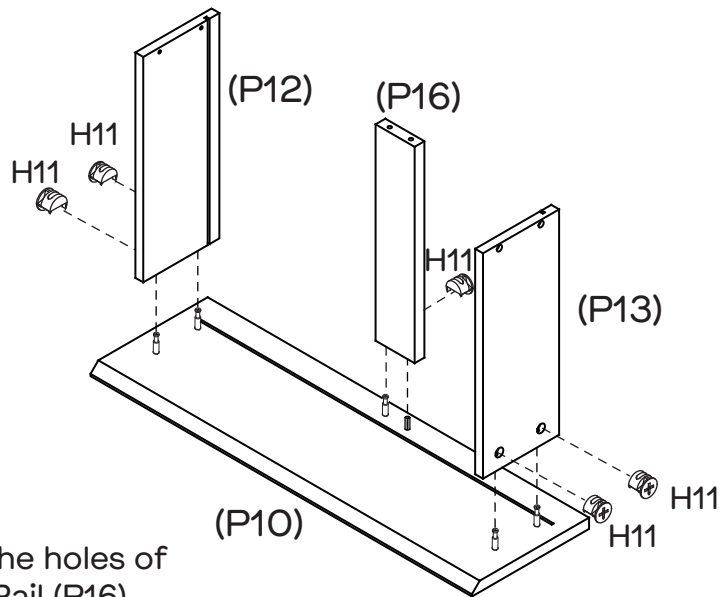
| You will need   |   |
|---|---|
|  |  |
| 1 x Dowels (H1)   | 5 x Small Cam Bolts (H10)   |
|  |   |
| Phillips Head Screwdriver   |   |



Insert 1 x Dowel (H1) into Drawer Front (P10). Attach 5 x Small Cam Bolts (H10) as shown.

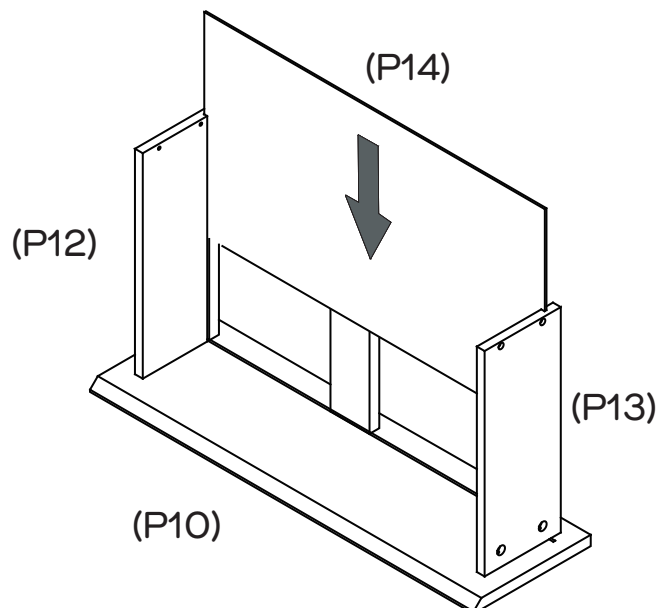
## Step 15

| You will need   |  |
|---|--|
|  |  |
| 5 x Small Cam Nuts (H11)  | Phillips Head Screwdriver  |





Insert 5 x Small Cam Nuts (H11) into the holes of Drawer Sides (P12,P13) and Support Rail (P16). Rotate the cam nuts so the arrows point towards the incoming cam bolts. Push Drawer Side (P12,P13) and Support Rail (P16) into place and tighten the cam nuts.

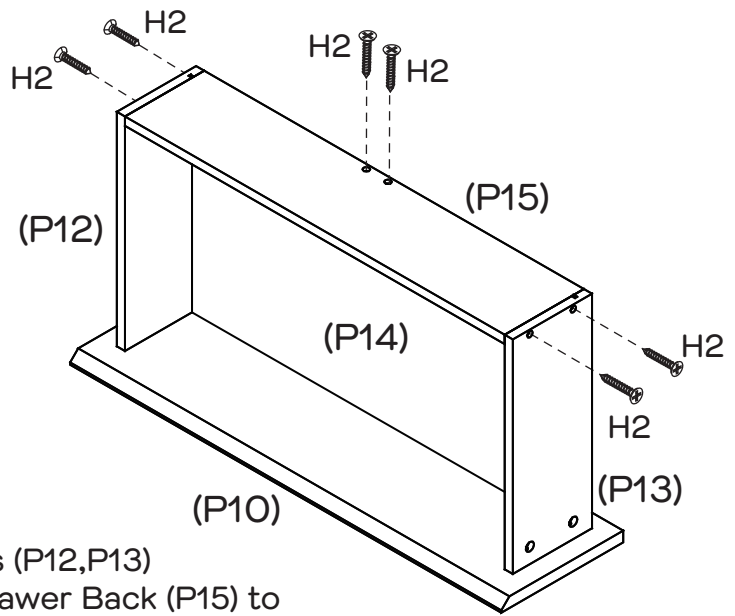
## Step 16



Slide Drawer Base (P14) into the groove in Drawer Sides (P12,P13).


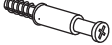

## Step 17

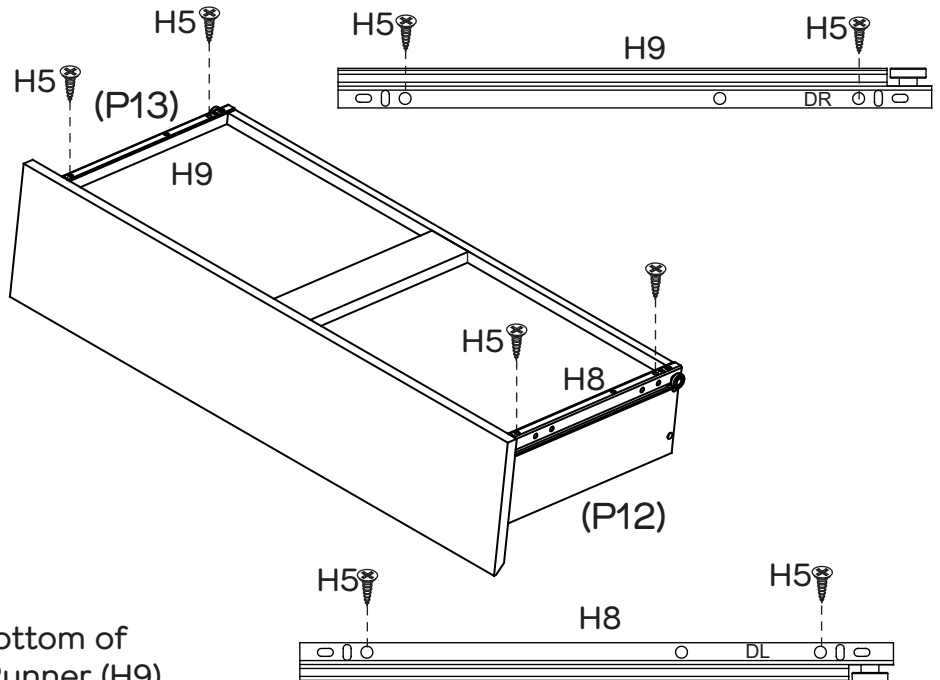
| You will need   |   |
|---|---|
|  |  |
| 6 x Long Screws (H2)  | Phillips Head Screwdriver   |



Attach Drawer Back (P15) to Drawer Sides (P12,P13) with 4 x Long Screws (H2), then attach Drawer Back (P15) to Support Rail (P16) with 2 x Long Screws (H2).  
Make sure that the groove lines up the whole way around the drawer.

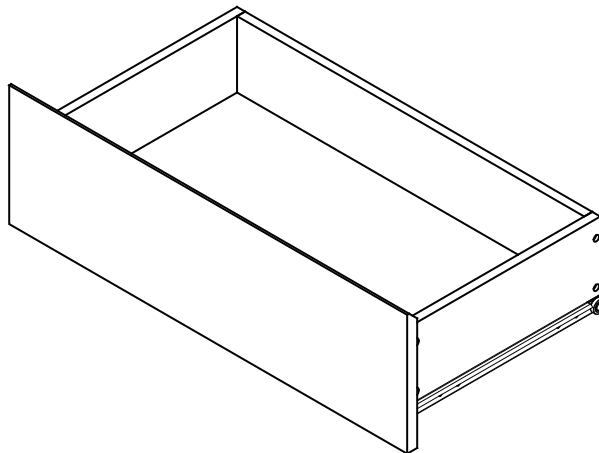
## Step 18

| You will need   |  |
|---|--|
|   |  |
| 1 x Dowels (H1)   | 5 x Small Cam Bolts (H10)  |
|  |  |
| Phillips Head Screwdriver   |  |



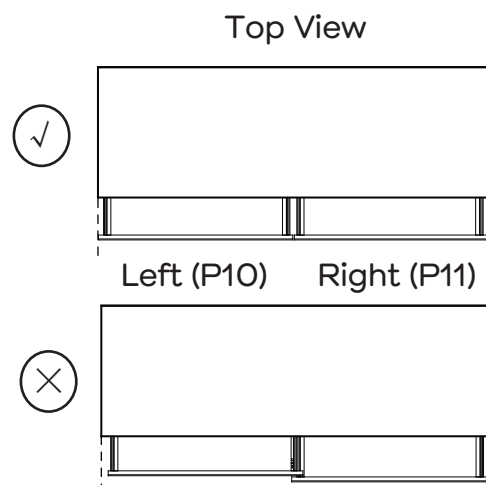
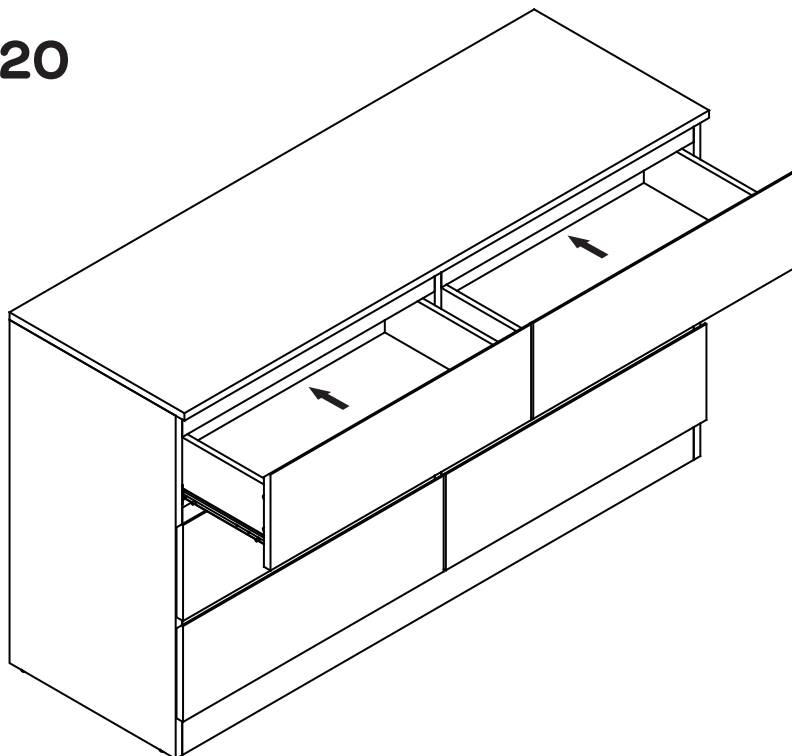
Attach 1 x DL Runner (H8) on the bottom of Left Drawer Side (P12) and 1 x DR Runner (H9) of Right Drawer Side (P13) with 4 x Small Screws (H5).

## Step 19

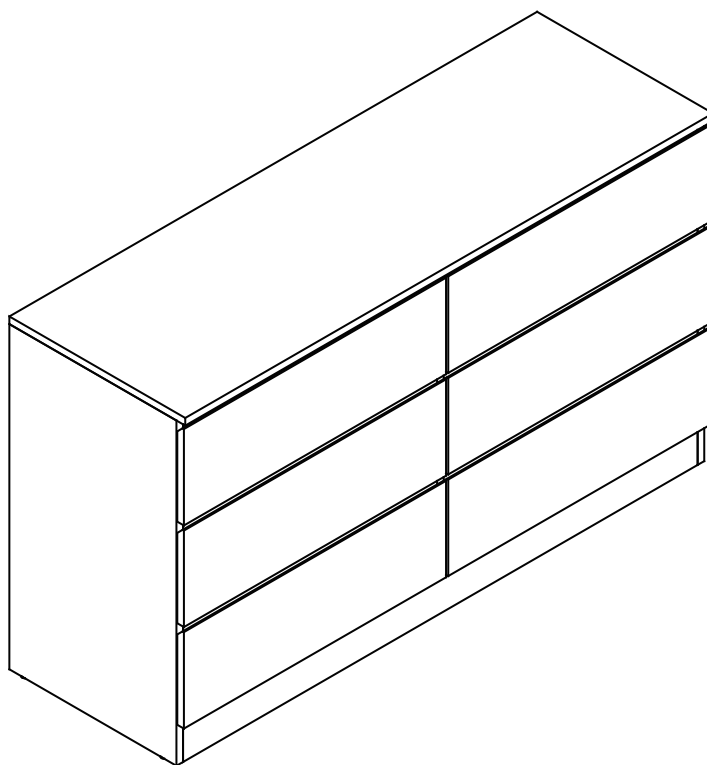


Repeat step13 to step17 to assemble other two drawers in the left side of dresser. Replace Drawer Front (P10) with Drawer Front (P11) and repeat step13 to step 17 to assemble the three drawers in the right side of dresser.

## Step 20




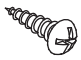


There are specific Left (P10) and Right (P11) Drawers.  
Put the drawers into the chest. So the drawer fronts align with the outside of the side panels.

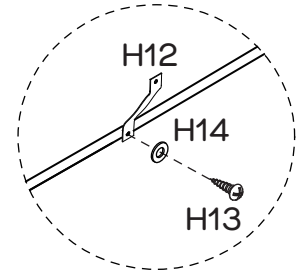
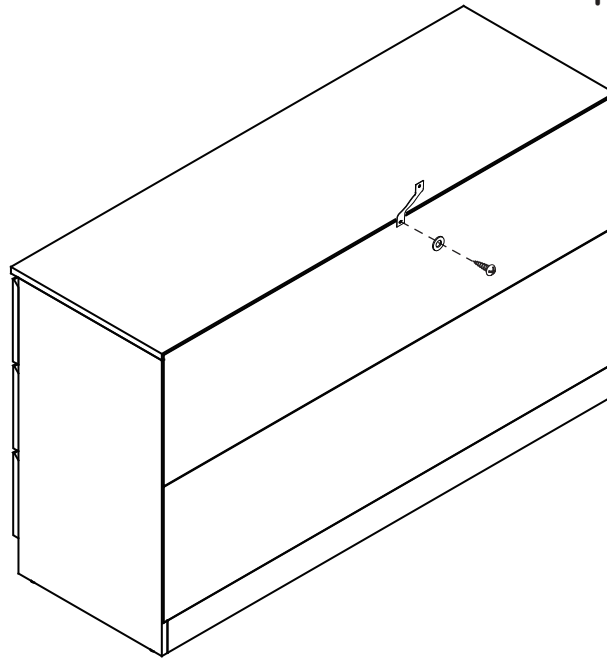


Please make sure your chest is sitting squarely on the floor, then tighten  
all the screws and bolts – being careful not to over tighten

## Step 21



We strongly advise that you use the wall safety strap provided to prevent the unit toppling

| You will need   |   |
|---|---|
|  |  |
| 1 x Safety Strap (H12)  | 1 x Screw (H13)   |
|  |  |
| 1 x Washer (H14)  | Phillips Head Screwdriver   |

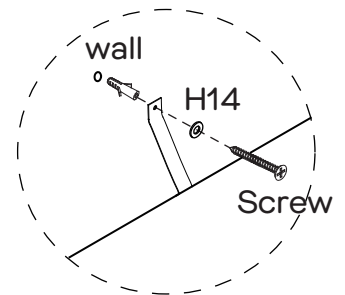
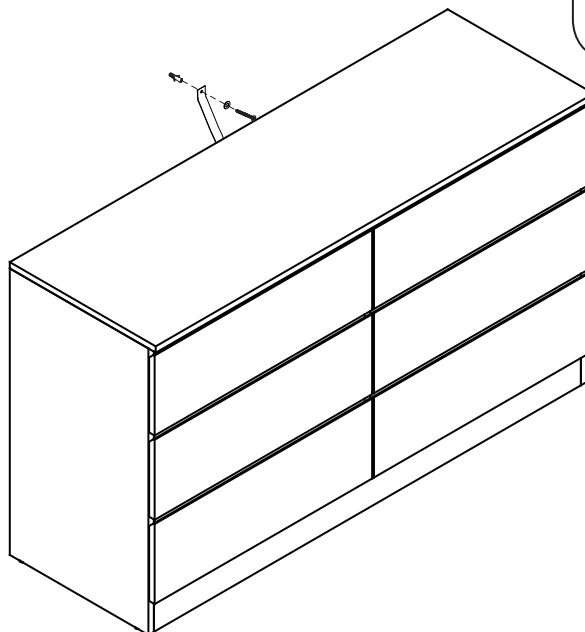


Attach Safety Strap (H12) to the Top Panel (P1) using 1 x Screw (H13) and 1 x Washer (H14).

## Step 22

| You will need  |   |
|--|---|
|   |  |
| 1 x Washer (H14)   | Phillips Head Screwdriver   |
| Screw and Wall Plug are not provided. Please use appropriate fixtures for your wall. |   |

Seek advice from a qualified trades person on how to attach this safety strap to your specific wall.



Move the dresser to the final position, and attach the safety strap to the wall securely. Make sure it is firmly attached and snug fit.

# Job Complete!

In the interest of our environment please dispose of all packaging thoughtfully.