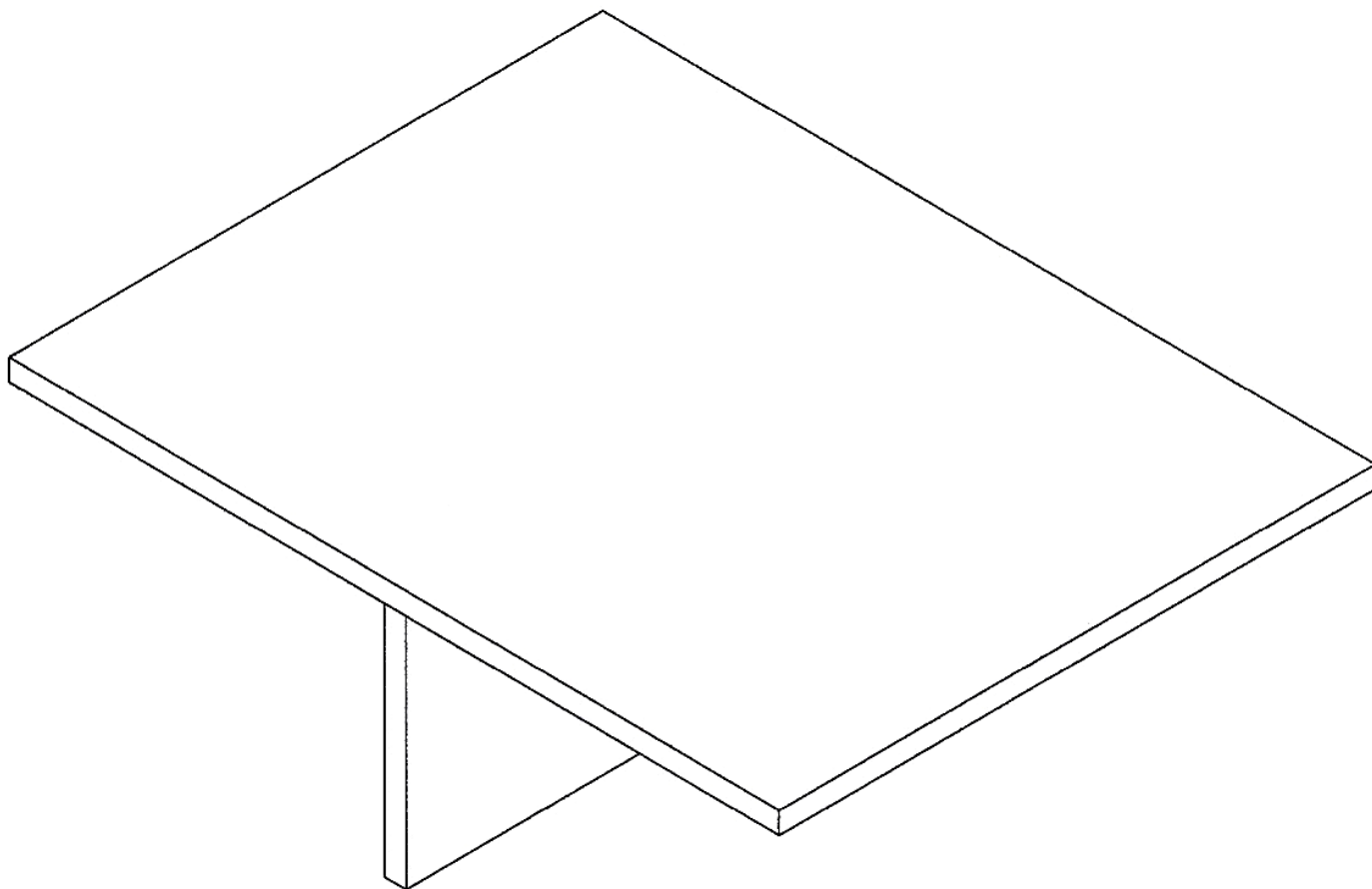


Assembly Instructions

HOME ROBE INSERT

2 Cube Small



WARNING

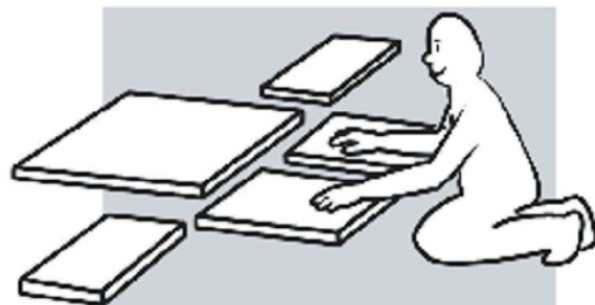
FAILURE TO FOLLOW THESE BASIC STEPS CAN LEAD TO DAMAGE THAT IS NOT COVERED BY YOUR WARRANTY

1



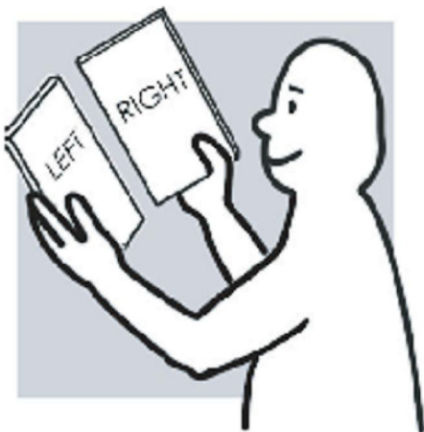
Read Instructions carefully.
Check no parts are missing.

2



Lay out all of the components on a soft surface as if you were preparing to do a jigsaw puzzle.

3



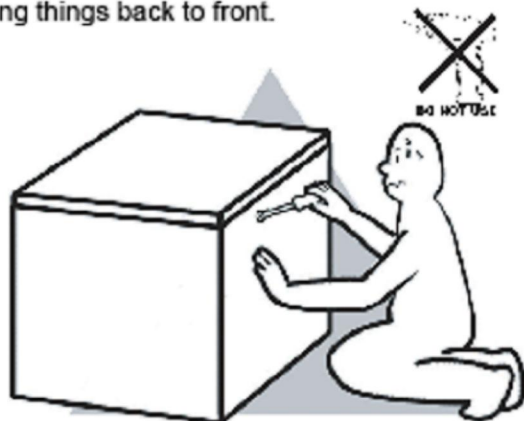
Carefully identify each component, especially those that are similar. The most common mistake is getting things back to front.

4



Separate and identify each component from the hardware pack and rest each one in its proper location before fastening.

5



DO NOT fully tighten screws (leave slightly loose). When the item is fully assembled tighten the screws - but do not over tighten.

6



If glue is required **DO NOT** set until you are certain that the parts belong together.

WHAT YOU NEED

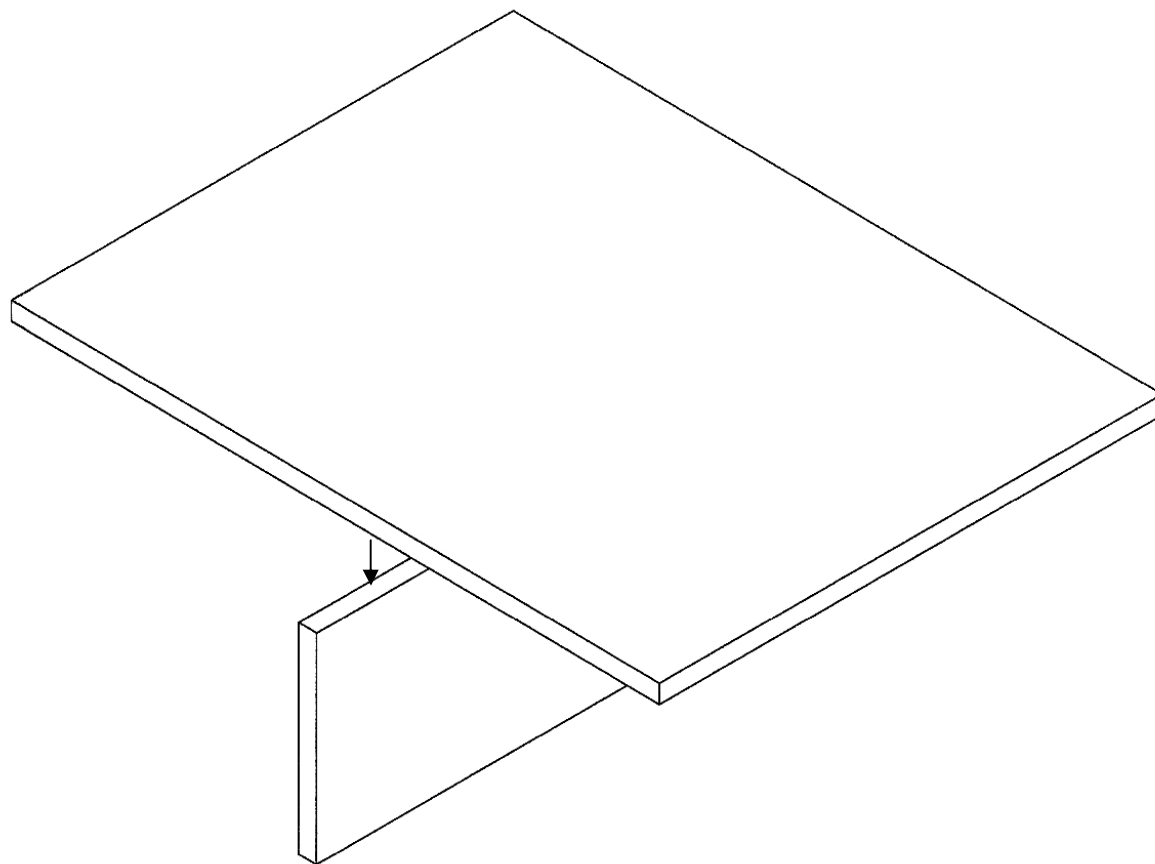


1 x PVA GLUE



4 x SHELF SUPPORTS

STEP 1



GLUE ALL DOWEL JOINTS!

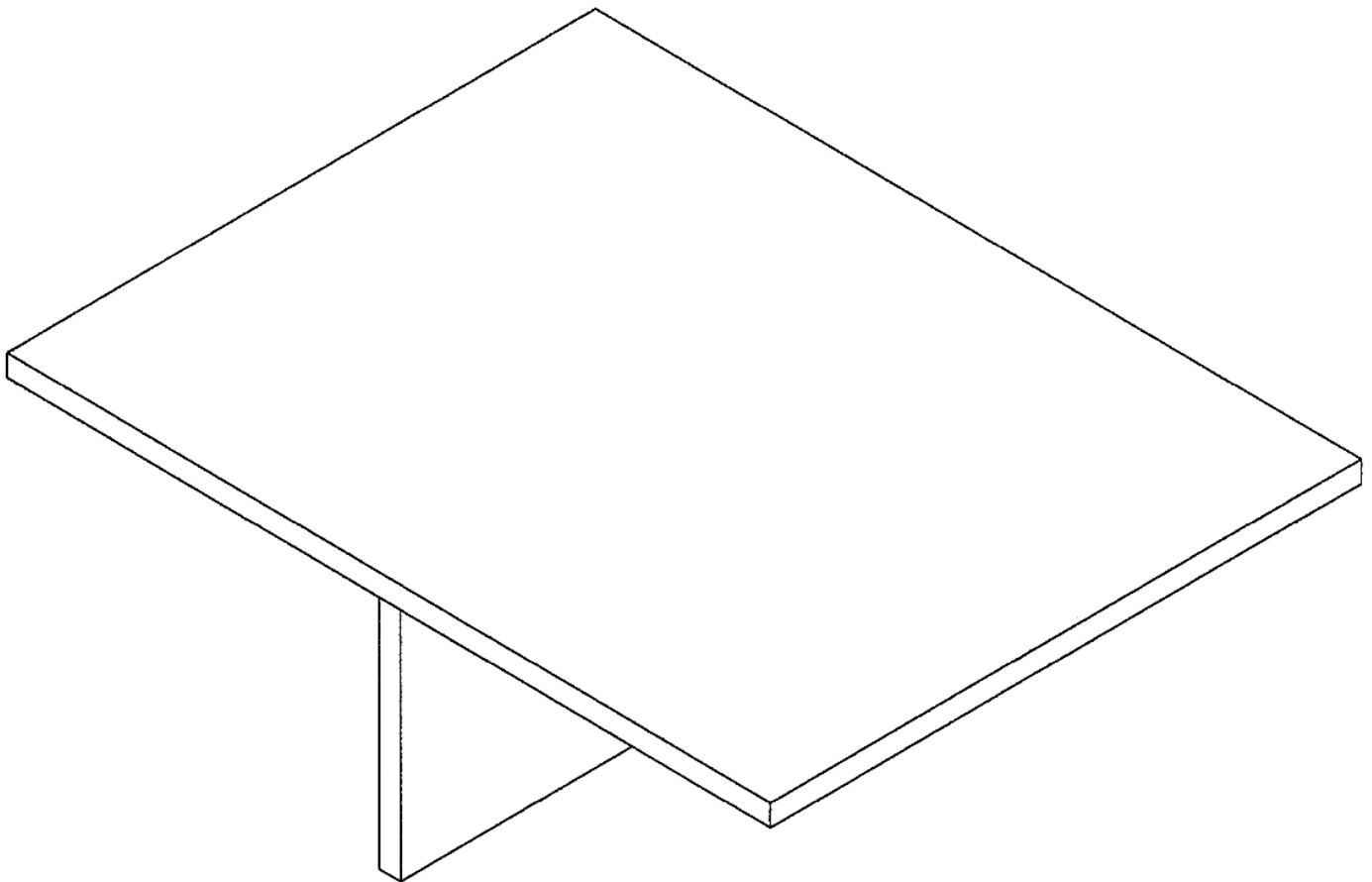
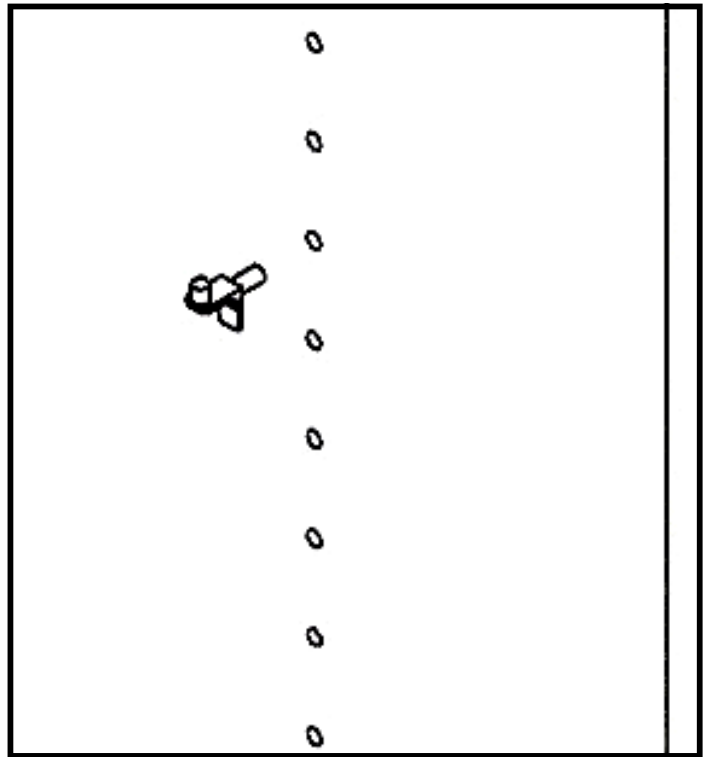
Place the top panel on top of the gable using the guide holes.

When inserting the 2 cube STORAGE into the unit:

Insert the SHELF SUPPORTS into your desired positions on the gable, making sure the point of the SHELF SUPPORT is facing up.

Repeat for opposite Gable making sure you have used the corresponding holes on the other side.

Then simply place the shelf on the SHELF SUPPORTS, making sure the point of the SHELF SUPPORT inserts into the shelf.



YOUR UNIT IS NOW COMPLETE

In the interest of our environment
Please dispose of all packaging thoughtfully